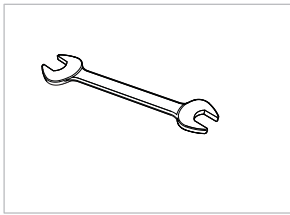


PRE-REQUISITES

Recommended tools



SAFETY

WARNING
The system must not be operated without safety equipment properly mounted.

WARNING
At installation, maintenance and service, make sure the motor is shut off.

PRODUCTS

5115194

5115195

5115196

5115197

5115198

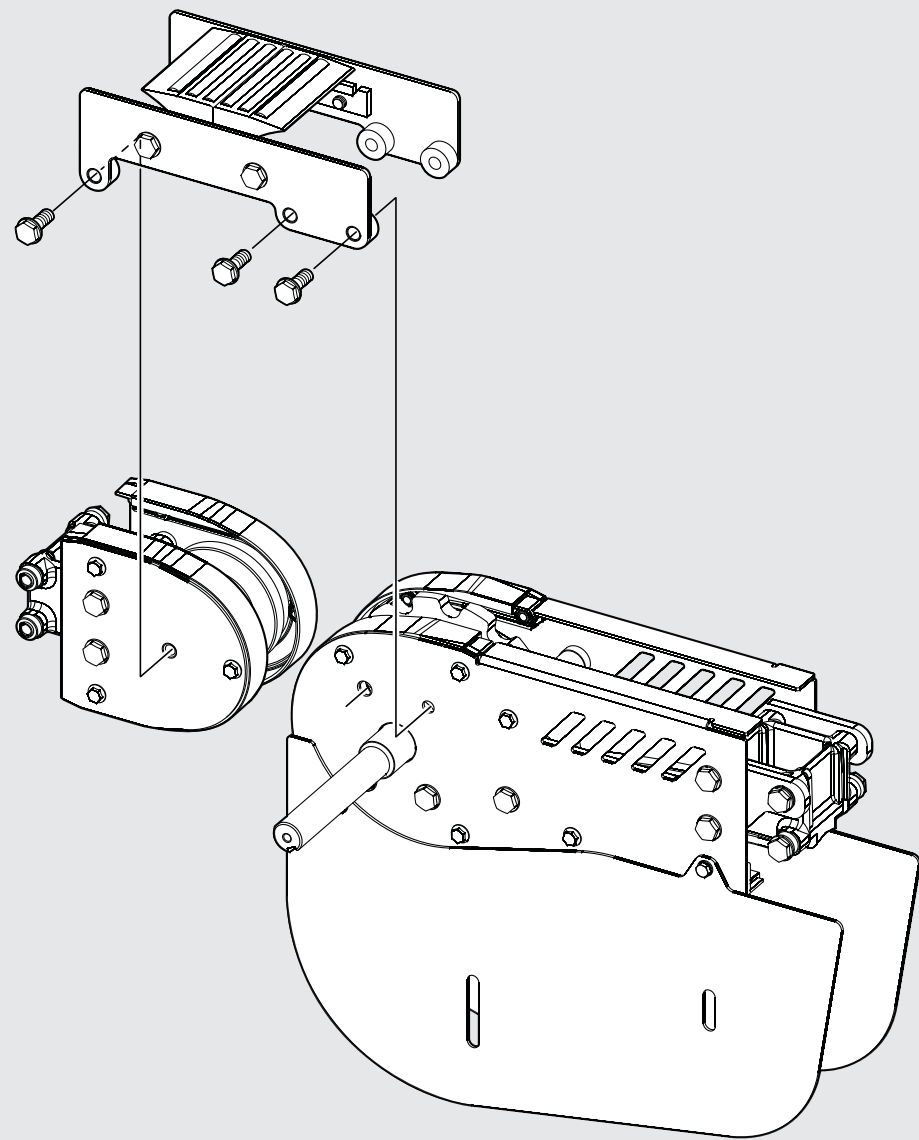
5115199

DOCUMENTATION

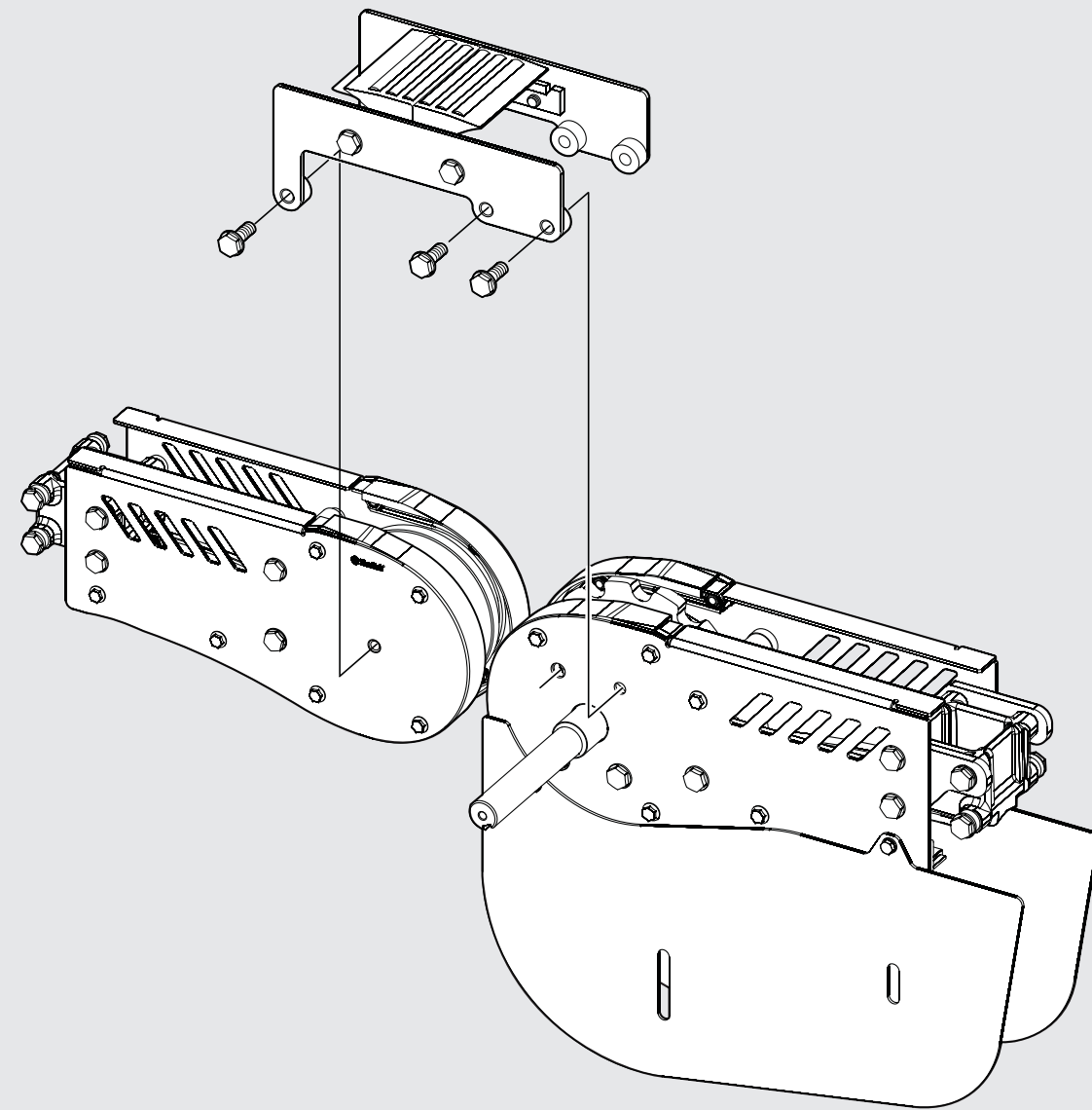


5115331

Bridge, standard to compact



Bridge, standard to standard



ASSEMBLY INSTRUCTION

Bridge, X85X, X180X, X300X

5115194

5115195

5115196

5115197

5115198

5115199

