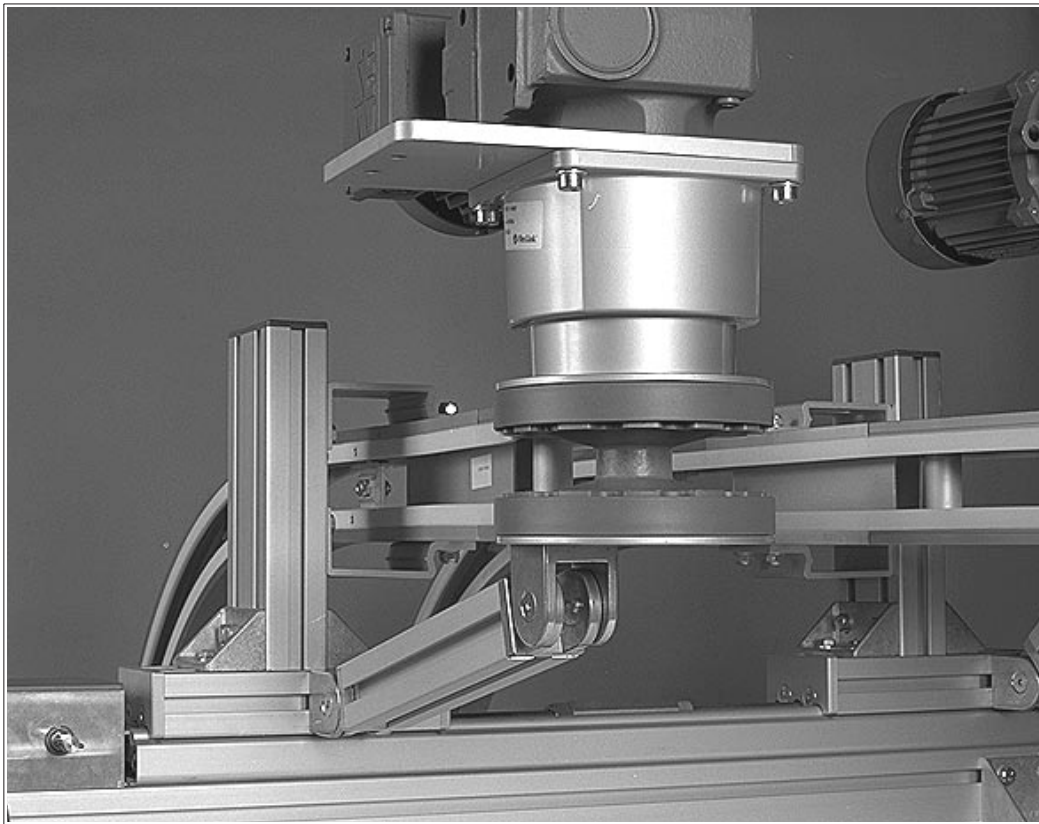




Stabilization of end drive units (direct drive)

X_EB H GP



Mounting instructions

When using direct end drive units in a wedge conveyor, it may be necessary to stabilize the drive unit end of the conveyor to get a more rigid support.

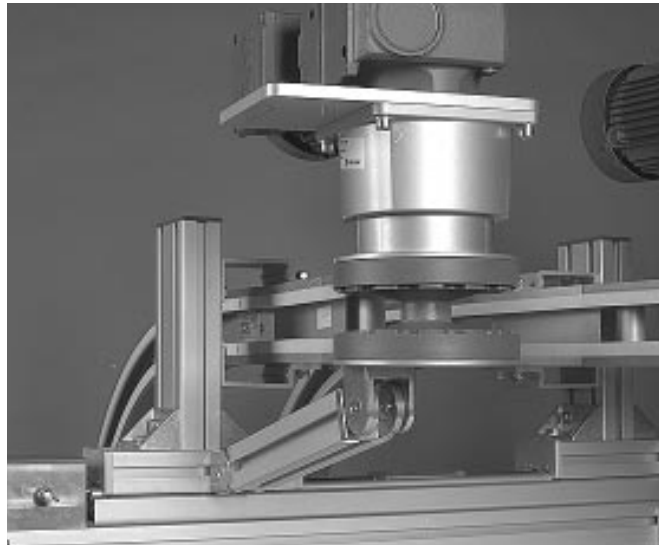
This bulletin will show two ways of stabilizing X_EB H GP end drive units that are used in wedge conveyors. These methods are particularly useful if 5° vertical bends are used at the drive unit end of the conveyor.

Stabilization of end drive unit X_EB H GP

Attachment to drive unit

The following components are needed:

- 4 XCFJ 44 F, including guide lugs
 - 2 XCBM Lx44
 - 4 MLC6S 8x30
 - 4 MLC6S 8x14
 - 2 XCAN 8
- 1 Remove the reversible guide lugs from one end of a stay bracket. Mount this side of the bracket to the bottom of the drive unit using one 8x14 screw.
 - 2 Mount the second stay bracket to the T-slot on the slide unit of the width adjustment actuator. Position the stay bracket so that it aligns with the bracket on the drive unit. Tighten loosely using one 8x14 screw and one XCAN 8 nut.
 - 3 Adjust the angles of the stay brackets so that they are aligned.
 - 4 Measure the distance between the two brackets.
 - 5 Cut an XCBM 44 beam to the correct length (measured distance $\pm 1,5$ mm).
 - 6 Thread the centre hole of the beam at each end using an M8 thread, approx. 25 mm deep.
 - 7 Check that the beam length is the same as the distance between the two brackets. If so, mount the beam using one 8x30 screw at each end.
 - 8 Tighten all screws permanently.
 - 9 Repeat step 1–8 to stabilize the second drive unit.



Attachment to adapter plate

An alternate way to stabilize the drive units is to mount the upper stay bracket on the adapter plate instead of the drive unit. Then two of the 8x14 screws are replaced by:

- 2 8x30 screws
- 2 BRB 8,4x16 washers
- 2 XLAN 8 locking nuts

These components are used for attachment to the adapter plate.

