

# Spare parts End drive unit- XT

Technical information from FlexLink

XT001-E6

## End drive unit- XT

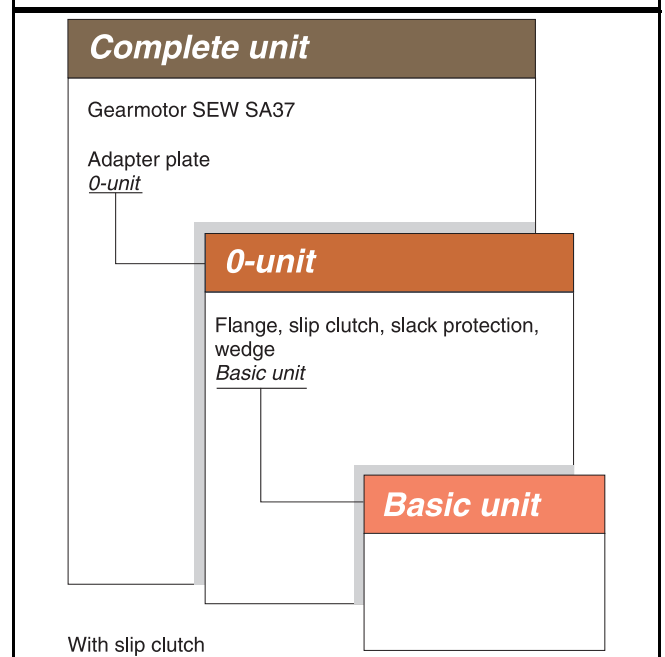
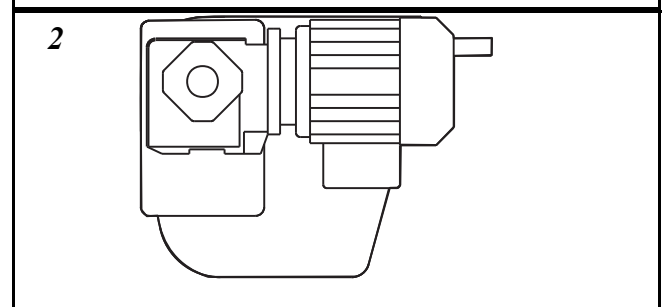
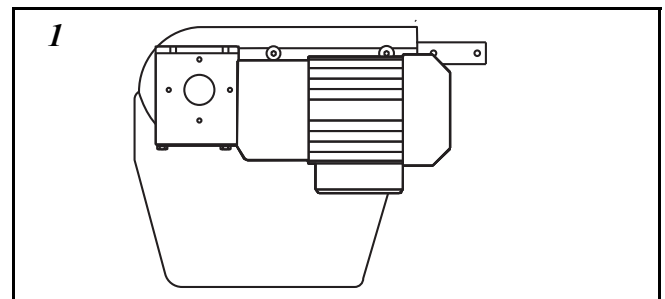
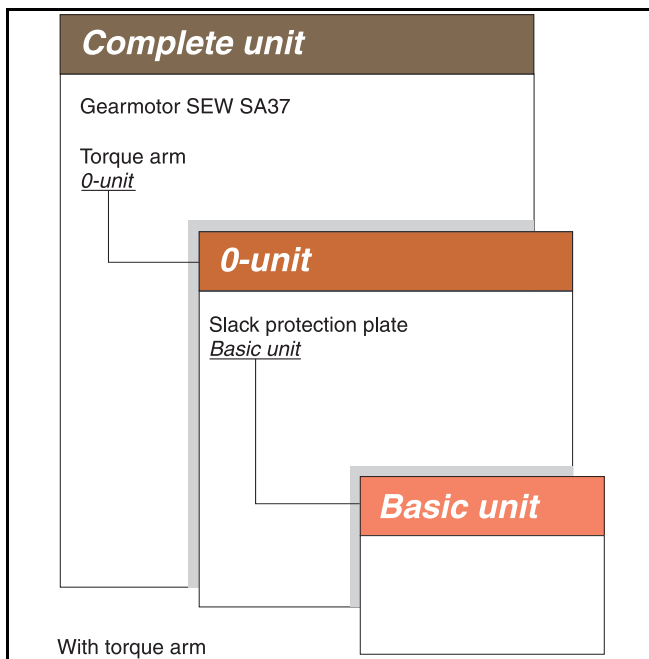
### Contents

End drive unit, direct drive with torque arm

Complete unit – XTEB \_LNPD/RNPD-\* .....2  
 0-unit – XTEB 0 LNPD/RNPD-\* .....3  
 Basic unit – XTEB 0 LNUD/RNUD-\* .....4

### Revision list

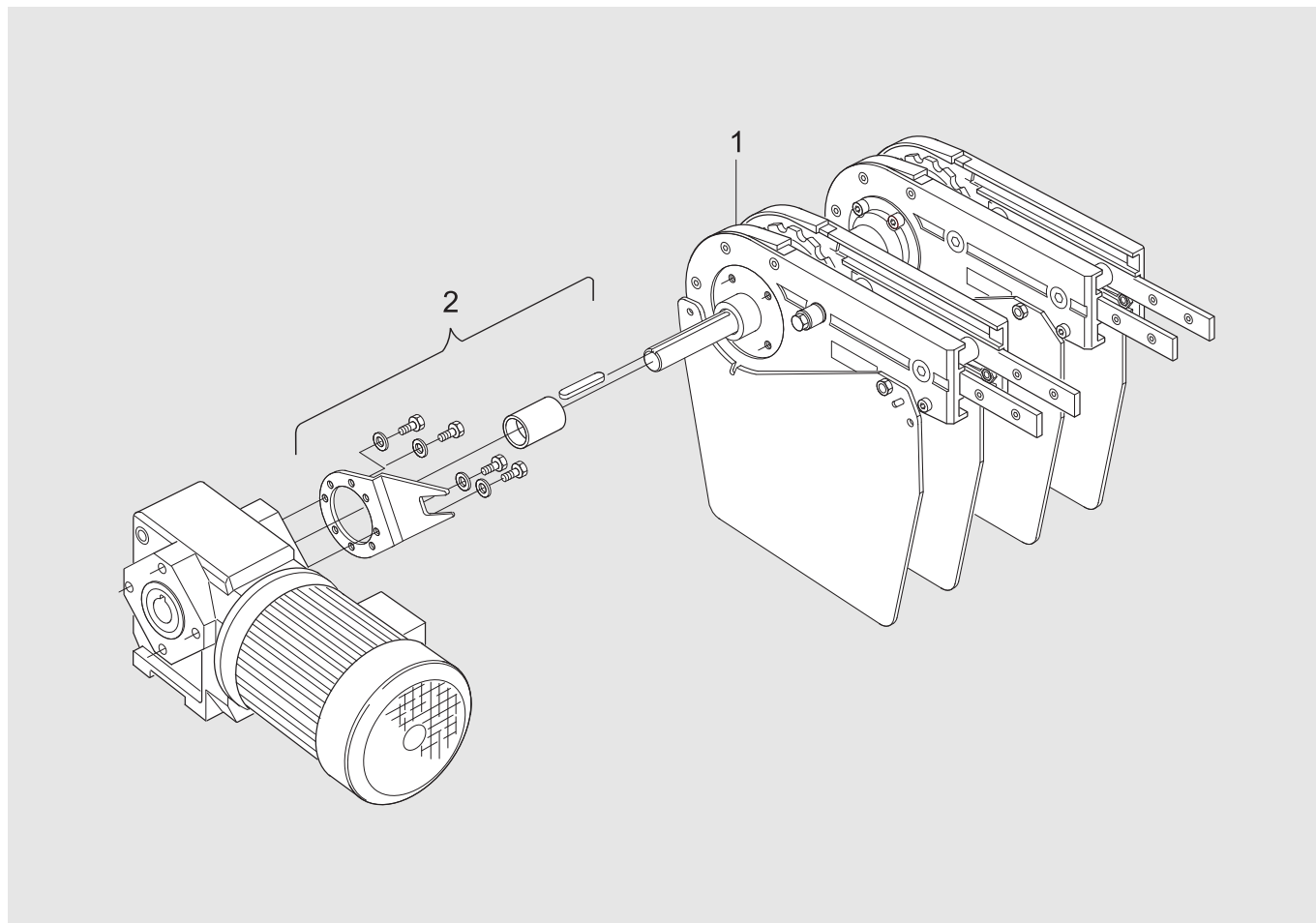
Doc ID	Date	Type of revision	Entered by
XT001-E1	98-10-14	New version	Enator Inforum
XT001-E2	08-11-04	Spare part kits added	JE
XT001-E3	09-03-19		JE
XT001-E4	20-10-20	Updated logo/item no.	TG
XT001-E5	-	-	-
XT001-E6	24-01-25	Removed 5111656 5048992->5122550 5045530->5050054 5045531->5050056	IR



## End drive unit, direct drive with torque arm

Complete unit – XTEB \_LNPD/RNPD/LNAPD/RNAPD-\*

For SEW SA37 gearmotor

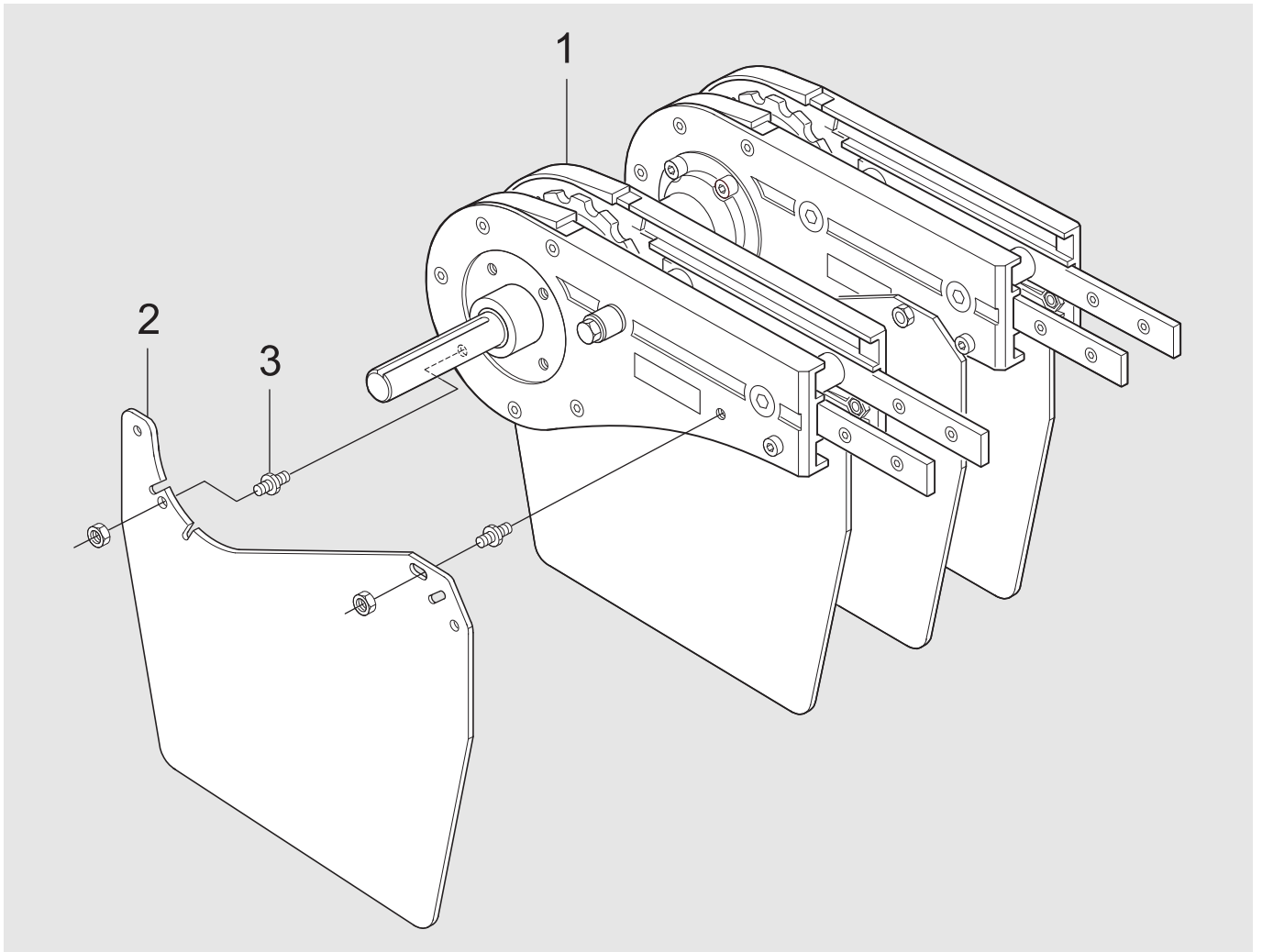


Item	Description	Part No	Qty	Comments	Recommended Spare parts
1	0-unit (left-hand version)	XTEB 0 LNPD-	1	See next page for details	
	0-unit (right-hand version)	XTEB 0 RNPD-	1	See next page for details	
	Motor , see Drive unit guide 5014				
2	Torque arm kit	5050028	1		x

\*The dash (-) indicates c/c distance.

## End drive unit, direct drive with torque arm

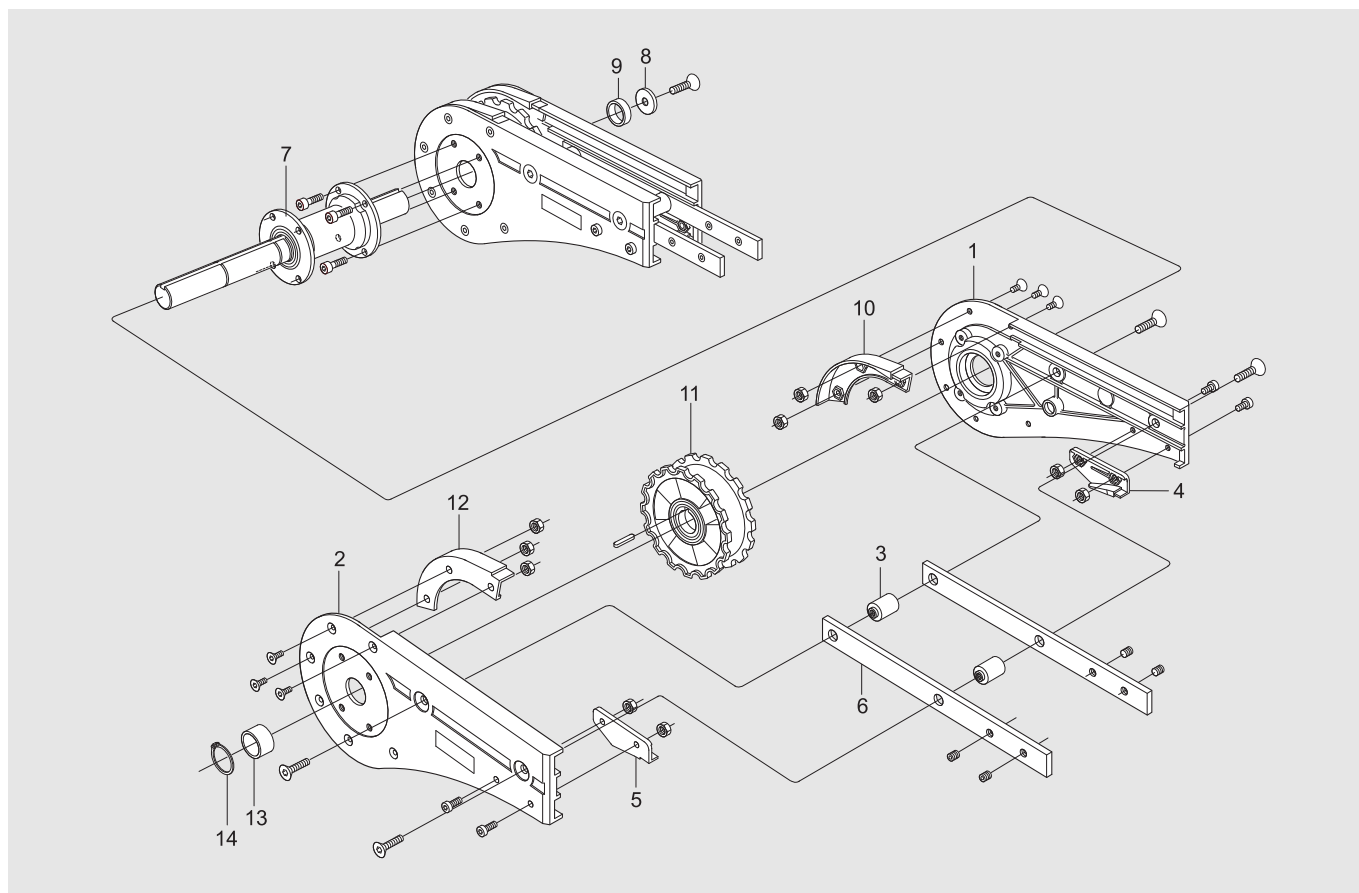
0-unit – XTEB 0 LNPD/RNPD-\*



Item	Description	Part No	Qty	Comments	Recommended Spare parts
1	Basic unit (left-hand version)	XTEB 0 LNUD-	1	See next page for details	
	Basic unit (right-hand version)	XTEB 0 RNUD-	1	See next page for details	
2*	Slack protection	(3925673)	4	See kit below	
3*	Distance screw kit	(3925718)	8	See kit below	
*) 2	Slack protection kit	5111581	2	Kit contains 2 pcs	
*) 3	Distance screw kit	5111598	1	Kit contains 10 pcs	

## End drive unit, direct drive with torque arm

## Basic unit – XTEB 0 LNUD/RNUD-\*



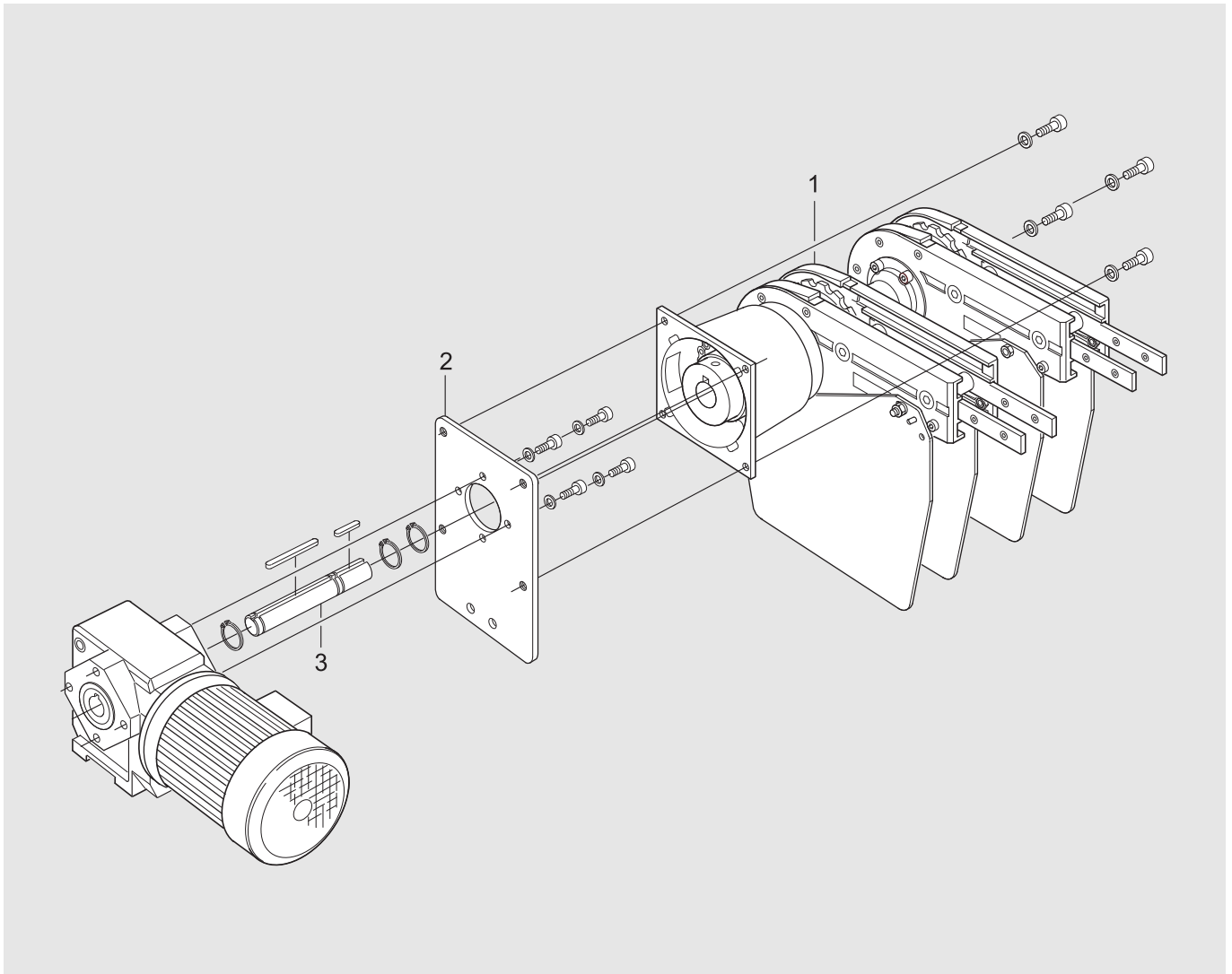
Item	Description	Part No	Qty	Comments	Recommended Spare parts
1	Side plate R	5050054	2		
2	Side plate L	5050056	2		
3	Spacer	5044883	6		
4*	Guide R	(5047730)	1	See kit below	
5*	Guide L	(5047731)	1	See kit below	
6	Connecting strip	5044891	4		
7	Bearing unit	5122550	1		
8	Washer	5045523	1		
9	Spacer	3925325	1		
10*	Guide R	(5045719)	1	See kit below	
11*	Drive wheel	(5044879)	2	See kit below	
12*	Guide L	(5045720)	1	See kit below	
13	Spacer	5045657	1		
14	Retaining ring	DIN 471	1	Ø25	
*) 4+5+10+12	Steering guide kit	5053325	1	2xL+R	x
*) 11	Wheel	5111655	2		x

\*The dash (-) indicates c/c distance.

## End drive unit, direct drive with slip clutch

Complete unit – XTEB\_ LPD/RPD-\*

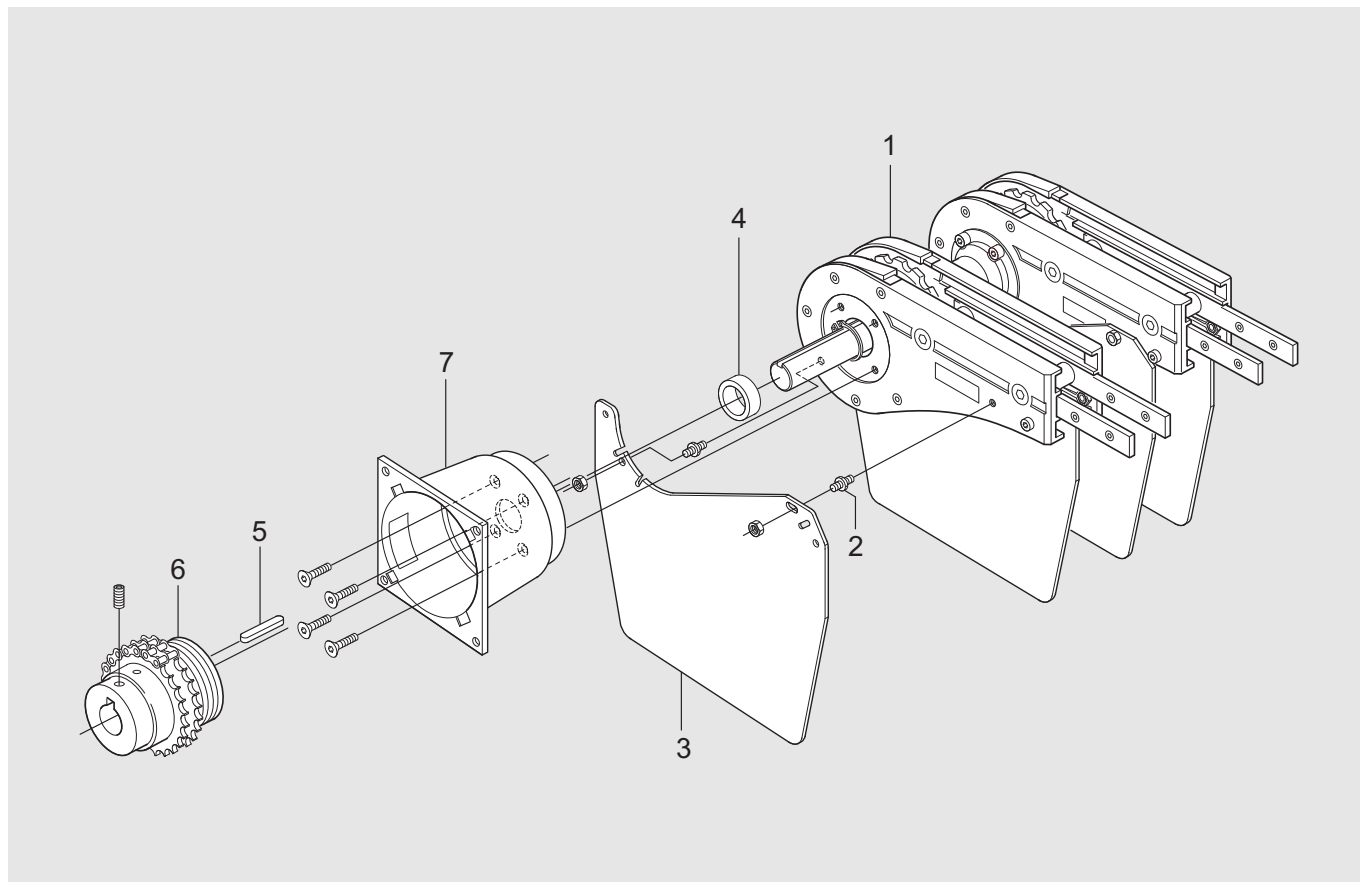
For SEW SA37 gearmotor



Item	Description	Part No	Qty	Comments	Recommended Spare parts
1	0-unit (left-hand version)	XTEB 0 LPD-	1	See next page for details	
	0-unit (right-hand version)	XTEB 0 RPD-	1	See next page for details	
2	Adapter plate including bolts, wedges, washers and shaft	3920088	1		
3	Shaft	3921205	1	Included in item 2	

## End drive unit, direct drive with slip clutch

0-unit – XTEB 0 LPD/RPD-\*

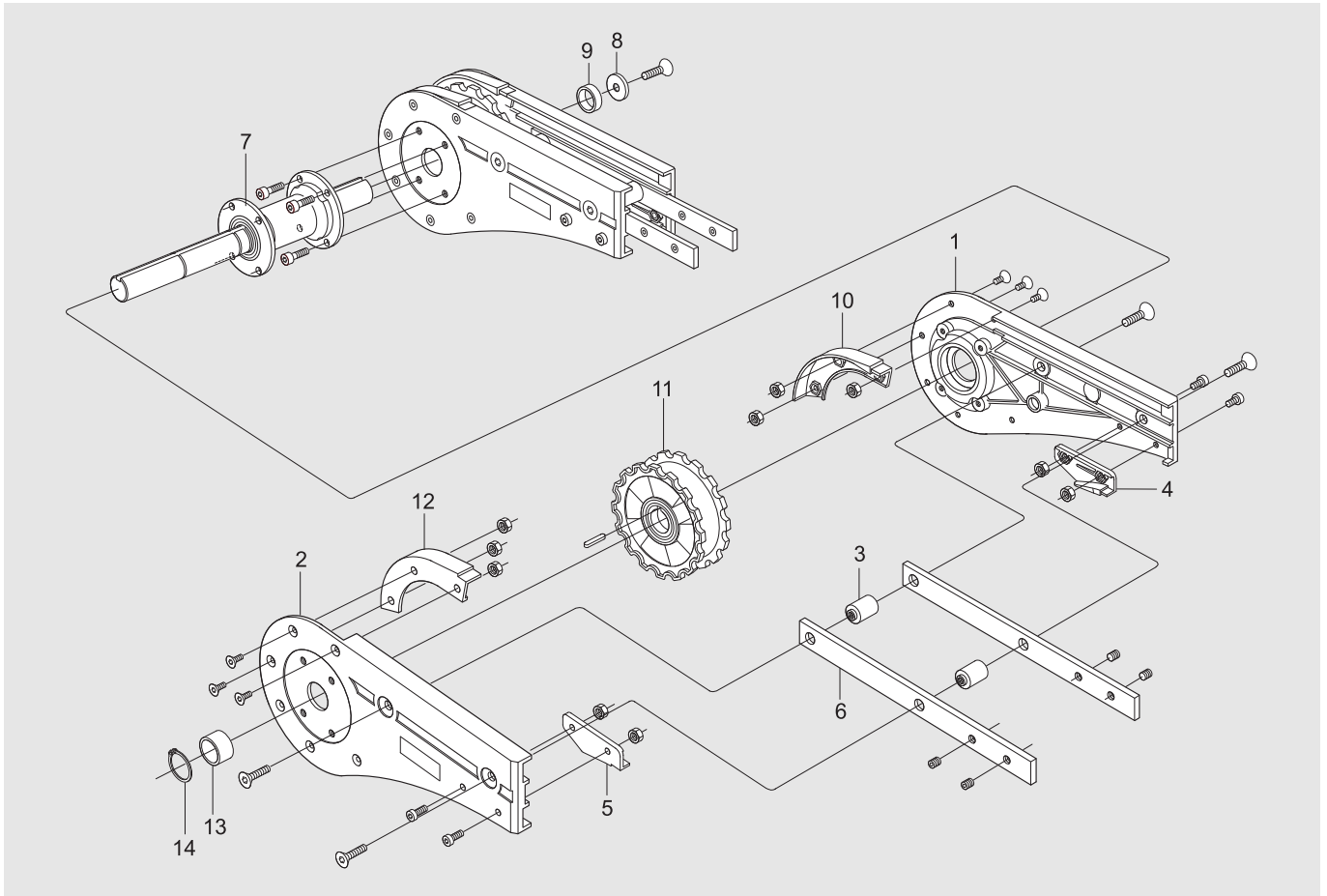


Item	Description	Part No	Qty	Comments	Recommended Spare parts
1	Basic unit (left-hand version)	XTEB 0 LUD-*	1	See next page for details	
	Basic unit (right-hand version)	XTEB 0 RUD-*	1	See next page for details	
2*	Distance screw M5/M6	(5046560)	8	See kit below	
3*	Slack protection	(3925673)	4	See kit below	
4	Spacer	5047076	1		
5	Thin parallel key	DIN 6885A h9	1	8x7-40	
6	Slip clutch	5054003	1		x
7	Flange casting	3920084	1		
*) 2	Distance screw kit	5111598	1	Kit contains 10 pcs	
*) 3	Slack protection kit	5111581	2	Kit contains 2 pcs	

\*The dash (-) indicates c/c distance.

## End drive unit, direct drive with slip clutch

## Basic unit – XTEB LUD/RUD-\*



Item	Description	Part No	Qty	Comments	Recommended Spare parts
1	Side plate R	5050054	2		
2	Side plate L	5050056	2		
3	Spacer	5044883	6		
4*	Guide R	(5047730)	1	See kit below	
5*	Guide L	(5047731)	1	See kit below	
6	Connecting strip	5044891	4		
7	Bearing unit	5044898	1		
8	Washer	5045523	1		
9	Spacer	3925325	1		
10*	Guide R	(5045719)	1	See kit below	
11*	Drive wheel	(5044879)	2	See kit below	
12*	Guide L	(5045720)	1	See kit below	
13	Spacer	5045657	1		
14	Retaining ring	DIN 471	1	Ø25	
*) 4+5+10+12	Guide kit	5053325	1	2xL+R	x
*) 11	Wheel	5111655	2		x

\*The dash (-) indicates c/c distance.

