

# Modular belt conveyor WL273X

## Contents

System information.....	99	Drive units – configuration strings .....	108
Conveyor sections.....	100	End drive units .....	109
Modular Belts - Introduction .....	101	Idler end units – Introduction.....	110
Modular belts .....	102	Idler units .....	110
Conveyor Beams - Introduction.....	103	Plain Bends - Introduction.....	111
Conveyor frame components .....	105	Support System Modules - Introduction .....	113
Slide rail .....	106		
End Drive Units - Introduction.....	107		

## System information



PO  
X70X  
X85X  
X180X  
X300X  
WL  
222X  
WL  
273X

### System overview

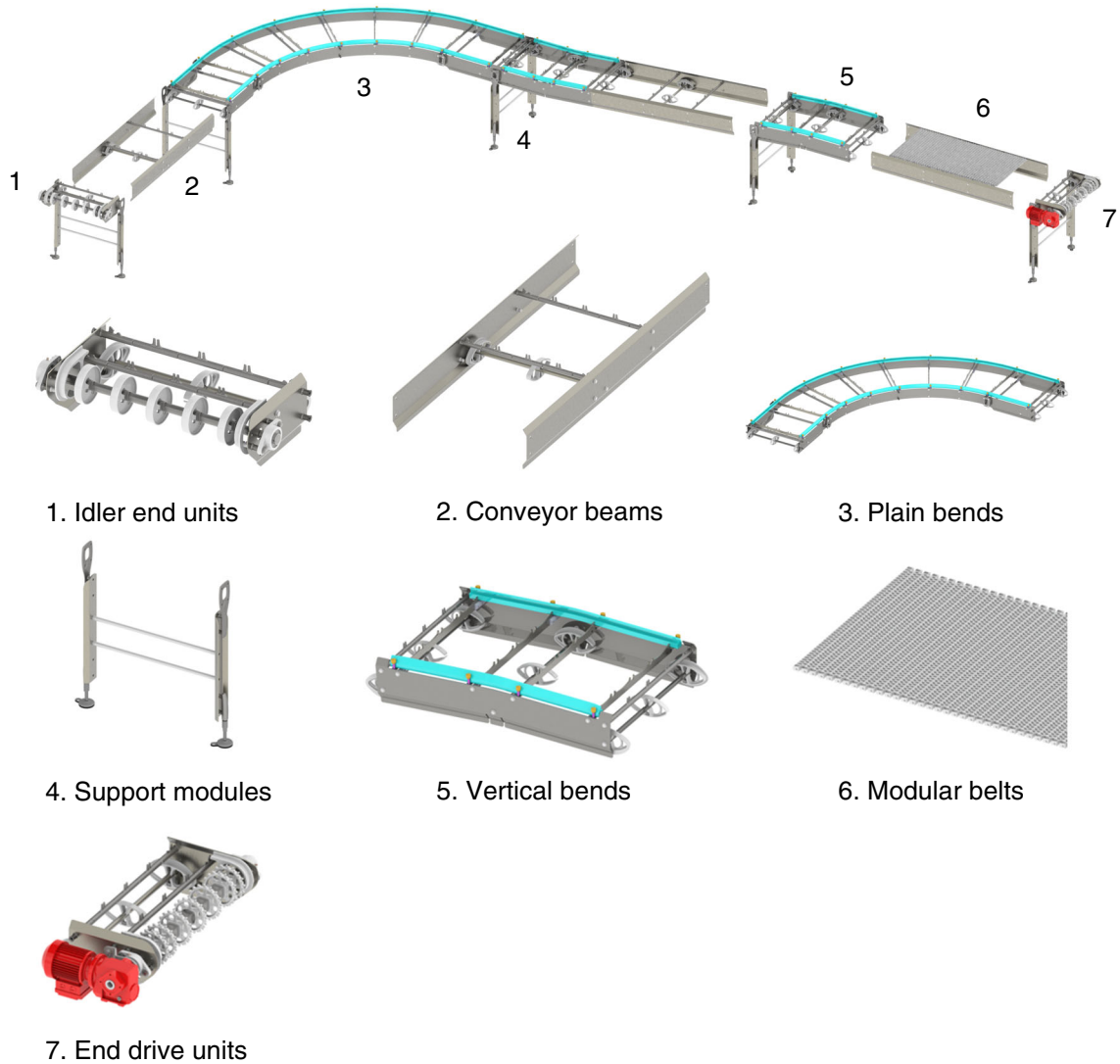
FlexLink's newly developed stainless steel conveyor is designed to fit into demanding primary and secondary packaging applications. It addresses important aspects of today's packing processes, such as being easy to clean, smooth handling of products, safe for operators, robust design, long life, and easy to maintain with a low cost of ownership.

The modularized and standardized design ensures fast set up, and facilitates rapid future extensions and changes.

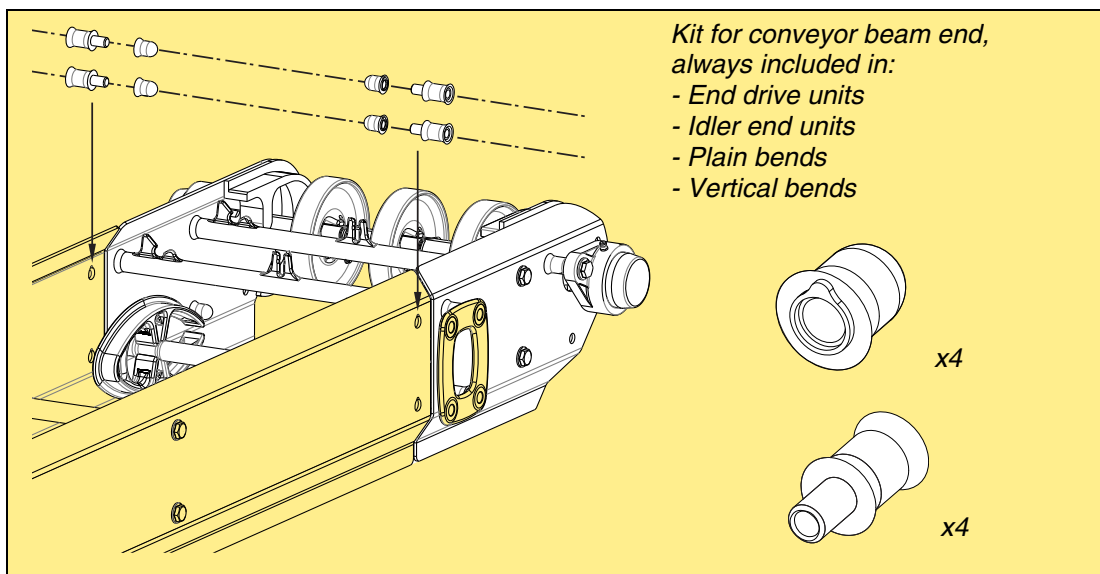
### Technical specifications

Maximum speed:	40 m/min	WL 374X
Maximum conveyor length:	20 m	
Max single item weight:	up to 30 kg	WL 526X
Total load on a conveyor:	300 kg	
Max product weight per belt pitch:	1,5 kg/slide rail	WL 678X
Max permissible pull force (with bends):	500 N	CSX
Max permissible pull force (without bends):	1200 N	GRX
		FSTX
		TR
		APX
		IDX

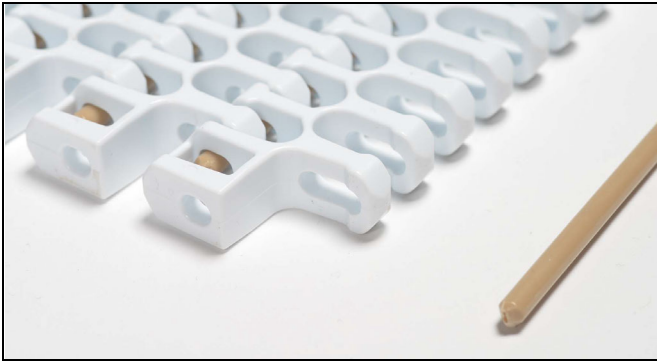
# Conveyor sections



The modular plastic belt conveyor in five widths – 222, 273, 374, 526 and 678 mm – can be built as straight sections or in S, U or L-shape with 30, 45, 60, 90° (180° only for 222 and 273) horizontal bend, or combinations thereof. Vertical bends are available in 5° (3° only for 222 and 273) positive or negative.



# Modular Belts - Introduction



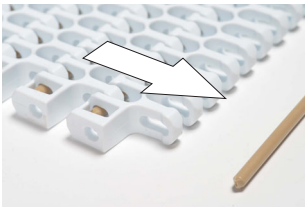
## Modular belt, Radius flush grid, curve-running

The belt consists of plastic hinged links connected by plastic rods. The wide belts are woven together by links that are 102 mm, 124 mm, and 180 mm wide. The assembled belt forms a wide, flat, and tight conveyor surface. Five standard widths of belt can be delivered: 152 mm, 203 mm, 304 mm, 456 mm, and 608 mm.

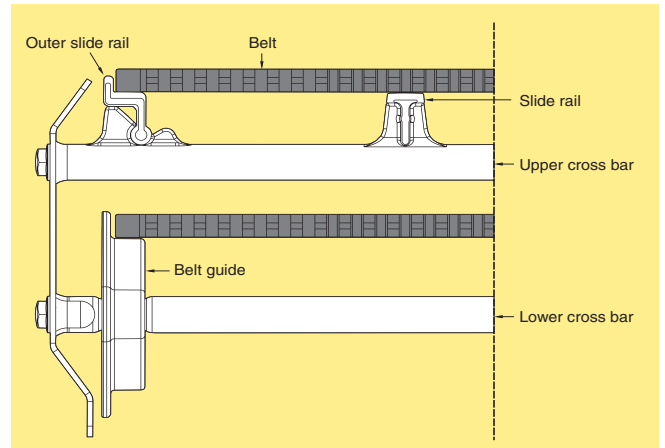
Standard belt colour is white but blue belts can also be ordered.

Belts with polyamide pins are available for dry or semi-wet applications. In constant wet applications, belts with acetal pins must be used. This is due to the fact that polyamide pins will absorb water and swell in wet applications, and acetal pins will squeak in dry environments.

Travel direction of the belt:



Radius flush grid



## Technical characteristics

Belt width	203 mm	
Modular belt weight (Acetal) Radius flush grid	1,53 kg/m	
Modular belt height Radius flush grid	13 mm	PO
Belt pitch	25,4 mm	
Max. permissible belt tension without bends	1200 N	X70X
Max permissible belt tension through a bend: Belt width 203	500 N	
Temperature range (Acetal)	1 °C to +40 °C For other temperatures request for quotation	X85X X180X

## Tools and accessories

The belt should be pretensioned with a return slack of about 25 mm. Too much belt slack is a safety risk as the belt can hang below the side of the conveyor beam. A belt tensioner tool (51 18803) is available in order to facilitate installation of the belt and minimize the amount of slack in the return belt.

## Ordering information

The belt is delivered in assembled 1 m lengths. To calculate the total length required, remember to add for belt consumed by the idler and drive units.

## Modular belts

### Radius flush grid belt, Wet



Plain belt

Belt material Acetal (POM)  
Pin material Acetal (POM),  
white

Length 1 m

203 mm wide, White

203 mm wide, Blue

**WLTP 1A203L W**  
**WLTP 1A203L WB**

### Radius flush grid belt, Dry



Plain belt

Belt material Acetal (POM)  
Pin material Polyamide (PA),  
brown

Length 1 m

203 mm wide, White

203 mm wide, Blue

**WLTP 1A203L**  
**WLTP 1A203L B**

### Belt tensioner tool for radius flush grid

Belt tensioner tool

**5118803**

### Radius flush grid belt, Wet (Spare part only - Available as request for quote item)



Plain belt

Belt material Acetal (POM)  
Pin material Acetal (POM), white

Length 1 m

203 mm wide, White

203 mm wide, Blue

**WLTP 1A203 W**  
**WLTP 1A203 WB**

**Note!** For use with belt delivered before April 2019

### Radius flush grid belt, Dry (Spare part only - Available as request for quote item)



Plain belt

Belt material Acetal (POM)  
Pin material Polyamide (PA),  
brown

Length 1 m

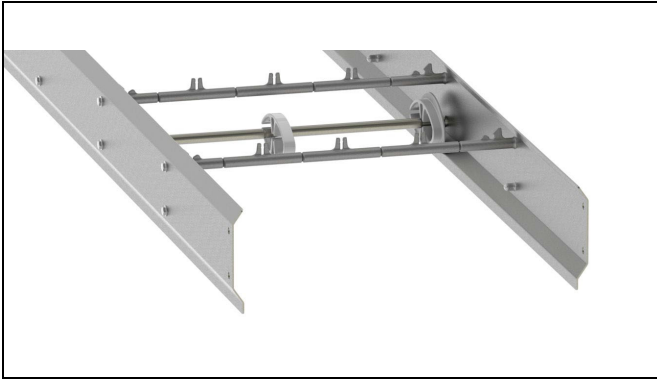
203 mm wide, White

203 mm wide, Blue

**WLTP 1A203**  
**WLTP 1A203 B**

**Note!** For use with belt delivered before April 2019

# Conveyor Beams - Introduction



Conveyor frame structure

## Frame profiles and cross bars

In order to facilitate cleaning, the top belt can be lifted up and the outer slide rails can be folded back.

For hygiene reasons, the WLX system is based on an easy-to-clean, free hanging return belt.

Elongation of the belt due to load is normally evenly distributed on the return side and along the whole conveyor, and placement of the belt guides for the return belt is critically important for proper conveyor system performance. Conveyor beams can be ordered from 142 mm up to 3000 mm and are always pre-engineered and configured according to the rules that must be followed.

Conveyor beams are normally not symmetrical, which is why they have an upstream and downstream end. An arrow label on the conveyor beam side indicates the appropriate top belt travel direction to ensure correct assembly.

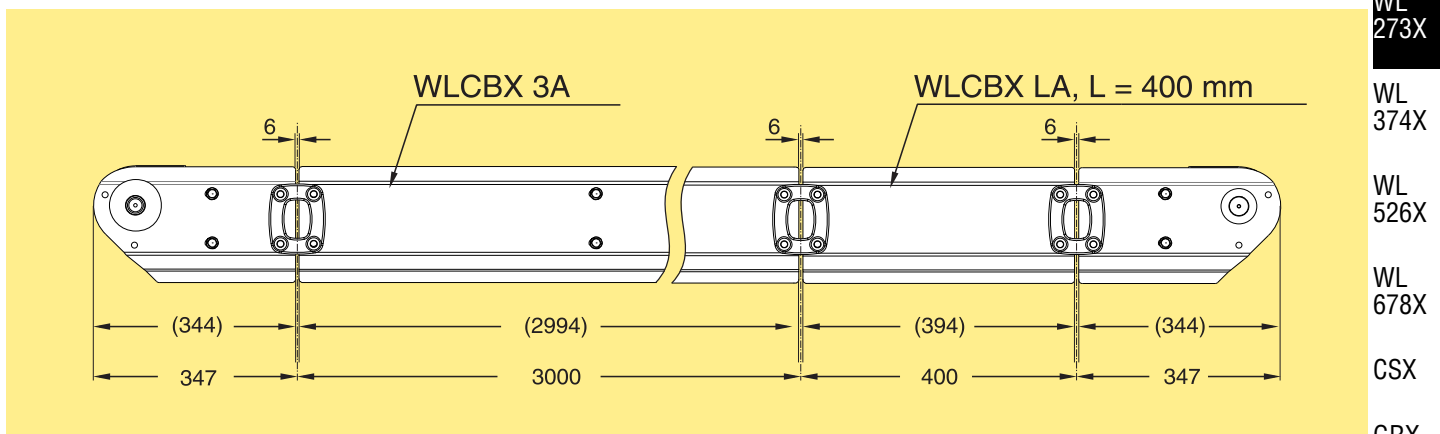
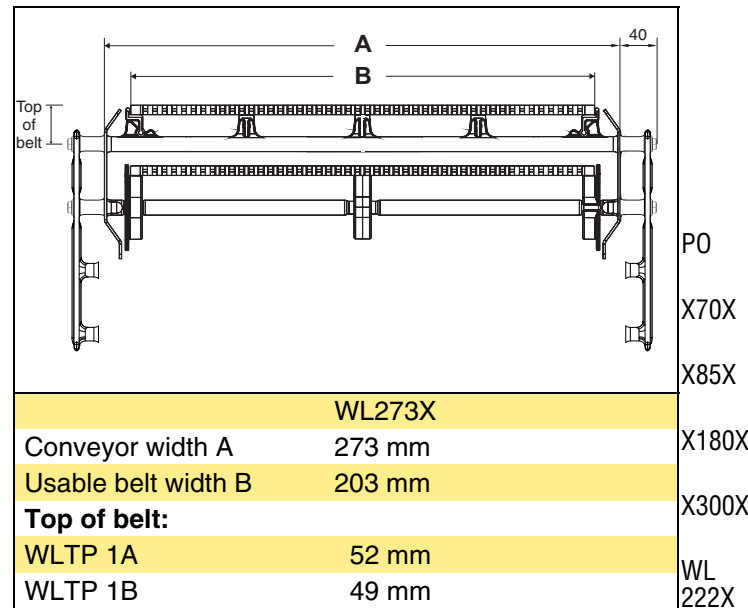
Components such as plain bends, etc., cannot be placed too close to an End drive unit. Therefore, the minimum permissible length for conveyor beam sections

when connecting to an End drive unit is 844 mm. This ensures a sufficient amount of return belt tension directly after the drive sprocket to avoid slack close to the sprocket wheel. The return belt hanging between the first two belt guides provides this belt tension (called back tension). For more information see WLX Engineering guidelines

Connecting brackets have to be ordered separately when joining End drives, idler ends, conveyor beams, etc.

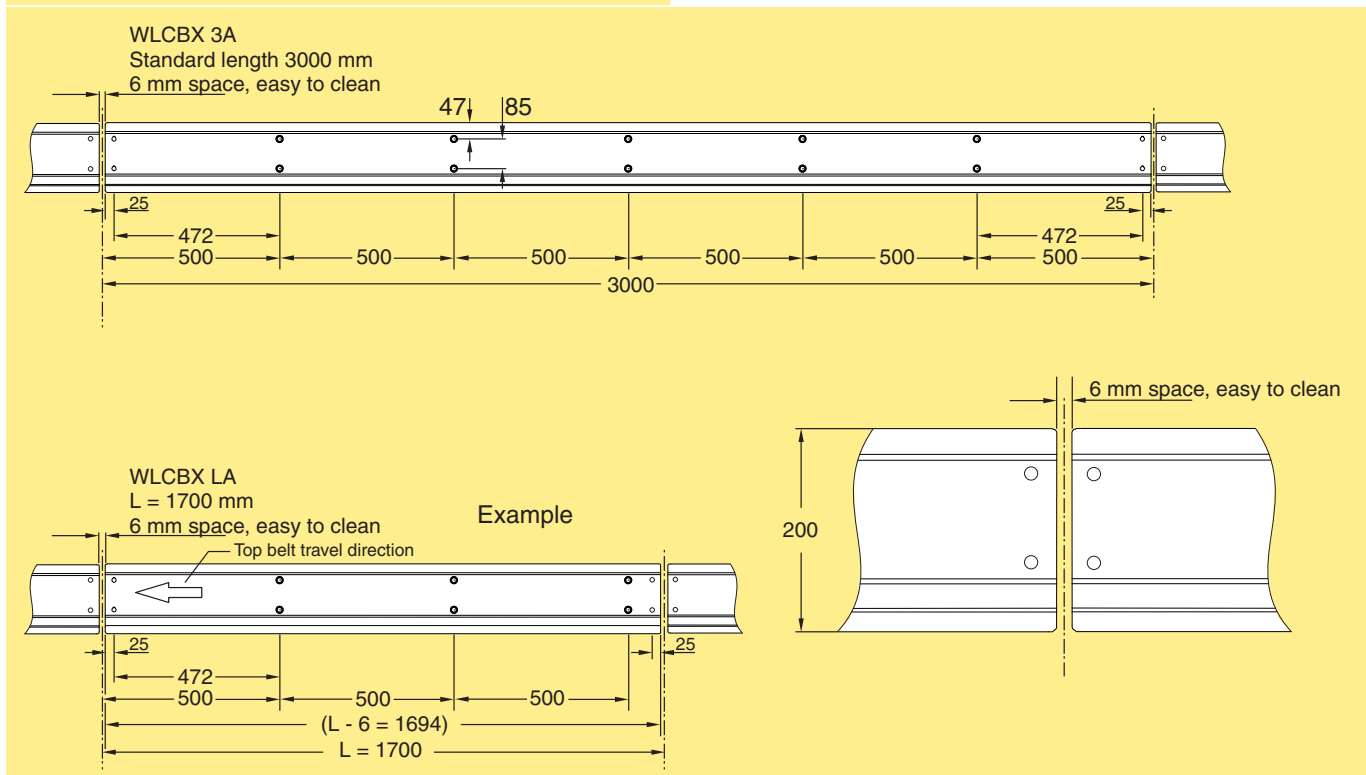
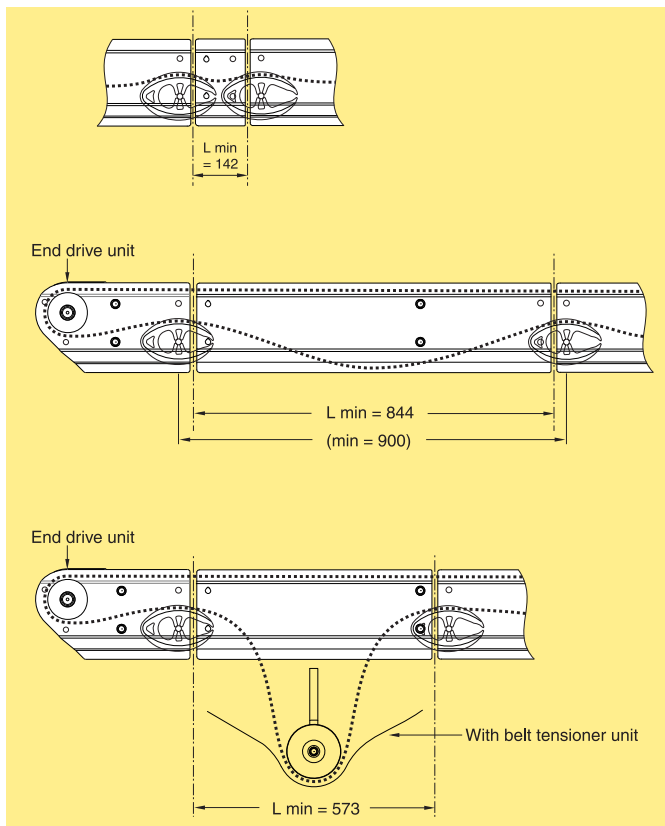
When joining two conveyor beams, a beam spacer kit must be ordered separately.

## Conveyor dimensions



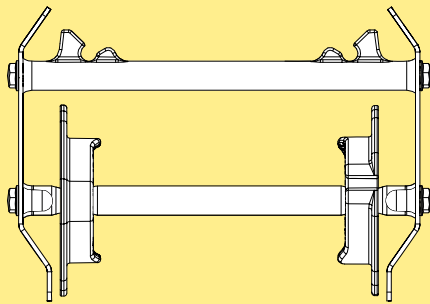
## Technical specifications

Minimum permissible conveyor beam length to be connected:



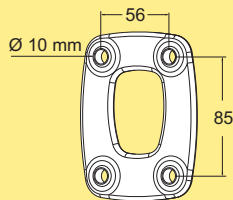
# Conveyor frame components

## Conveyor beam, Easy Clean



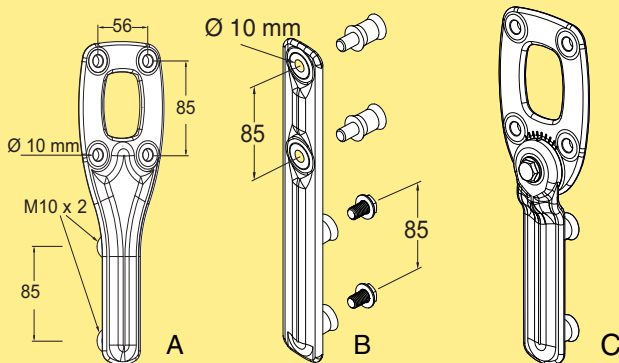
Conveyor beam, WL273X  
 Length 3 m (3000 ±1,2 mm) **WLCBX 3A273**  
 Length to order (142- 2999 mm) **WLCBX LA273**  
 Weight, 1 m, incl. belt: 15 kg/m

## Connecting bracket kit



Connecting Bracket  
 For beam  
 Including 4 pcs M10 screws **WLCJX 10X56**

## Beam support brackets

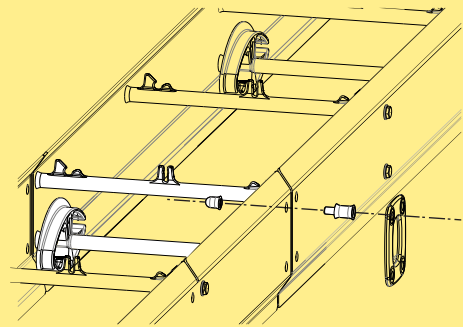
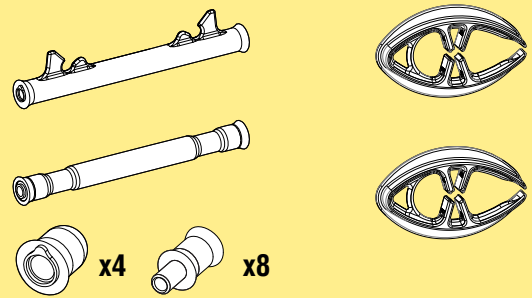


Beam support bracket (A)  
 Including 6 pcs M10 screws **WLCSX 10X56**

Beam support bracket (B)  
 Including 2 pcs M10 screws  
 and 2 pcs spacer WLRDX  
 M10X25 **WLCSX 10**

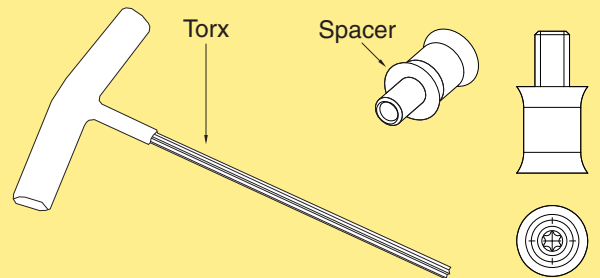
Beam support bracket (C)  
 Adjustable ±40° **WLCSX 10X56V40**

## Beam spacer Kit for WL273



Beam spacer kit **WLCEX A273**

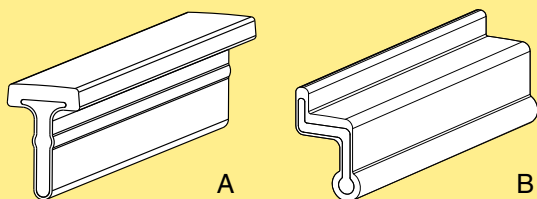
Recommended Torx tool for fasten spacer  
 Size T30



- PO
- X70X
- X85X
- X180X
- X300X
- WL 222X
- WL 273X
- WL 374X
- WL 526X
- WL 678X
- CSX
- GRX
- FSTX
- TR
- APX
- IDX

## Slide rail

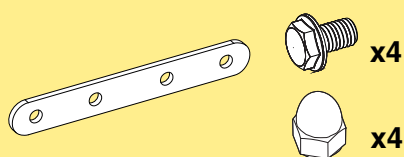
### Slide rail



Slide rail, length 3 m  
Slide rail (A)  
Outer slide rail (B)

**WLCRX 3**  
**WLCRX 3 B**

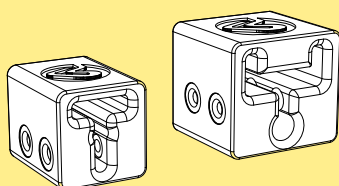
### Connecting Strip



Connecting strip kit  
Contains 10 pcs.

**WLAHX 100**

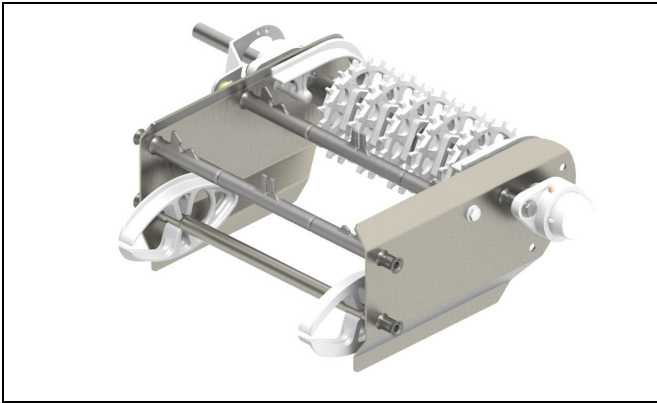
### Drill fixture for connecting strip



Contains drill fixtures for both  
WLCRX 3 and WLCRX 3B

**5118922**

# End Drive Units - Introduction



End drive unit

## End drive units

Size	Direct drive, no slip clutch
Drive unit types	<p>F, V</p>

## Drive unit types

A soft motor start is recommended for use with high-speed and long conveyors. This is because these types of modular belts are quite heavy, and the free hanging return belt can begin to oscillate momentarily during startup.

A grease nipple is included in all flange bearings. The bearings are initially filled with FDA-approved, food-grade grease (NSF H1).

End drive units including SEW motors IP 65, can be ordered with food-grade oil and stainless steel hollow shafts in the web-based configurator.

## Motor specifications

Motors are available for 230/400 V, 50 Hz and 230/460 V, 60 Hz. Variable speed motors are SEW Movimot, 380–500 V. Note that variable speed motors include a control box that adds 120 mm to the width of the motor.

IP55 available with standard oil.  
IP65 available with food grade oil.

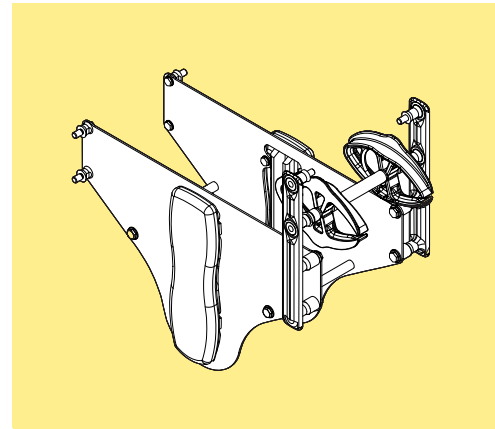
## Technical specifications

Maximal speed..... 40 m/min  
Number of teeth on sprocket wheel... 16

## Belt tensioner unit

A belt tensioner unit should always be placed near the End drive unit and its use is recommended:

- for long conveyors >20 meters
- for long conveyors >15 m and a speed of >30 m/min
- for conveyors with frequent starts/stops, especially if the load is high
- if an End drive unit needs to be placed close to a plain bend
- if an End drive unit needs to be placed on the lower part next to a conveyor slope section
- for short conveyors where the belt slack length is insufficient to lift the belt for cleaning



## Ordering information

Drive units with motors must be specified using the web-based configurator. The configurator provides detailed information and step-by-step guidance in the specification process. A product code string is generated, containing the specification details. See next page for examples of code strings.

Drive units *without* motors can be ordered using the designations in the catalogue.

- Connecting brackets have to be ordered separately.
- Slide rail must be ordered separately.

## Dimension

Note that dimensions relating to drive unit motors depend on the motor specified during the configuration.

PO  
X70X  
X85X  
X180X  
X300X  
WL 222X  
WL 273X  
WL 374X  
WL 526X  
WL 678X  
CSX  
GRX  
FSTX  
TR  
APX  
IDX

## Drive units – configuration strings

Below are two examples of text strings obtained from the configurator with explanations.

### Drive unit with fixed speed motor

Item no	A	B	D	E	G	H	I
	HNP	- L	- V4	- SA37	- 50/230	- 0,18kW	- TF

### Drive unit with variable speed motor

Item no	A	B	D	E	F	G	J	K
	HPV	- L	- V6-15	SA37	- MM03	- 50/380-500	- C	- P

#### Item no - Drive type

WLEBX: End drive

#### A – 0-Unit

HNP: Direct drive, no slip clutch  
...V: Variable speed

#### B – Motor position

L: Left  
R: Right

#### D – Speed

V...: Fixed speed... m/min  
V...-...: Variable speed range...-... m/min

#### E – Gearbox

SA37: SEW motor type SA37  
WA30: SEW gear box type WA30

#### F – Movimot size

MM03: SEW Movimot type, 0,37 kW  
MM05: SEW Movimot type, 0,55 kW  
MM07: SEW Movimot type, 0,75 kW  
(position is omitted for fixed speed motors)

#### G – Electrical environment

50/230: 50 Hz, 230 V  
50/400: 50 Hz, 400 V  
60/230: 60 Hz, 230 V  
60/460: 60 Hz, 460 V  
50/380-500: SEW Movimot variable speed motor

#### H – Motor power

... kW: Motor power, kW  
(position is omitted for variable speed motors  
see position F)

#### I – Thermal protection

No: No thermal protection  
TF: Thermal protection type TF  
TH: Thermal protection type TH  
(position is omitted for variable speed motors)

#### J – Hybrid cable

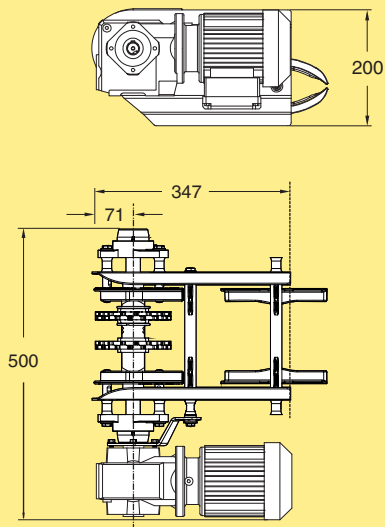
No: No hybrid cable  
C: Hybrid cable included in SEW Movimot  
(position is omitted for fixed speed motors)

#### K – Fieldbus

No: No fieldbus  
P: Profibus fieldbus, maintenance switch  
D: DeviceNet fieldbus, maintenance switch  
(position is omitted for fixed speed motors)

# End drive units

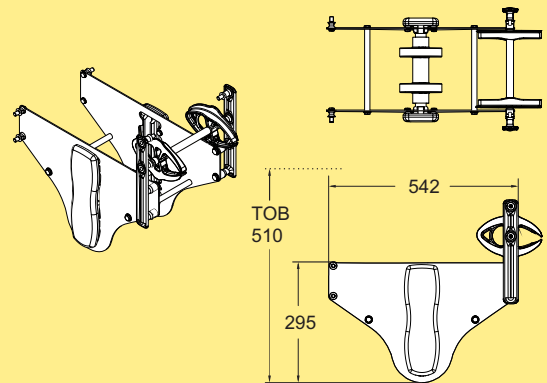
## End drive unit Easy Clean, Radius flush grid 273



End drive unit **WLEBX A273**  
 Fixed/variable speed\*  
 Without motor:  
 Transmission on left side **WLEBX0A273NLP**  
 Transmission on right side **WLEBX0A273NRP**

\* Use online configurator when ordering  
 Effective track length: 0,80 m  
 Weight, incl belt: 13 kg

## Belt tensioner unit



Belt tensioner for:  
**WL273X** **5124650**

Required extra belt length **0,55 m**

Weight, incl belt: 14 kg

PO

X70X

X85X

X180X

X300X

WL  
222X

WL  
273X

WL  
374X

WL  
526X

WL  
678X

CSX

GRX

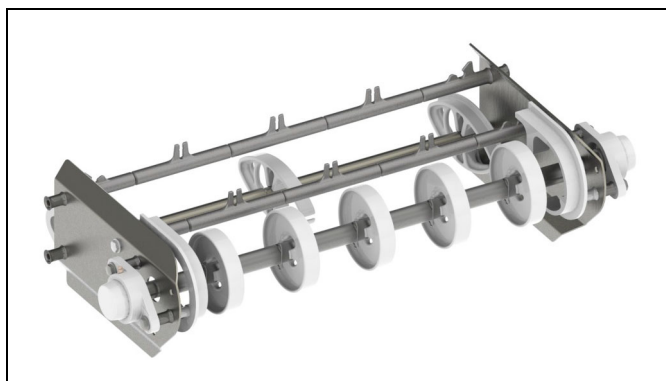
FSTX

TR

APX

IDX

## Idler end units – Introduction



*Idler end unit*

### Chain guidance at end of conveyor

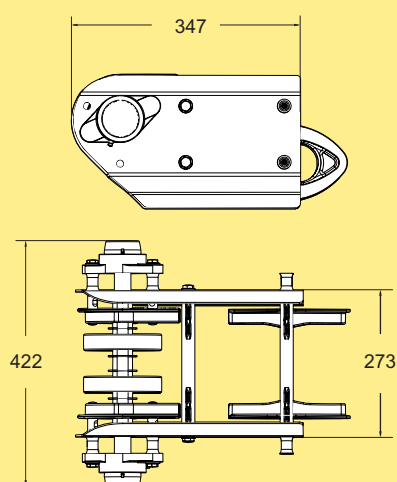
The idler end unit is used to guide the chain from the return side of the conveyor up to the top side with a minimum of friction. The chain is guided by two or more idler wheels on a common, rotating shaft supported by ball bearings.

### Ordering information

- Connecting strips are included with the idler end units.
- Slide rail must be ordered separately.

## Idler units

### Idler end unit, WL273



Idler end unit

**WLEJX 300A273**

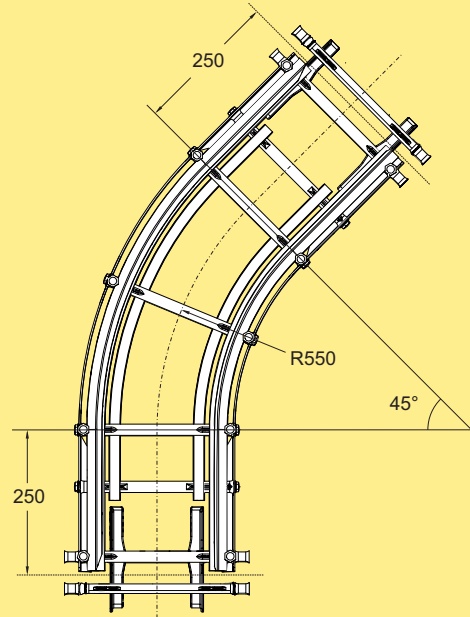
*\* Use online configurator when ordering*  
*Effective track length: 0,80 m*  
*Weight, incl belt: 12,6 kg*

## Plain Bends - Introduction

When using radius flush grid belts in plain bends, the belt pull force will be concentrated on the outer part of the belt. A certain straight section is needed before and after the bend in order to transfer the load between the outer belt section and evenly distribute it to the straight belt section. This is critical before entering another plain bend, end drive unit, etc. This required straight section is always integrated in the plain bend itself (250 mm for WL222X and WL273X, 300 mm for WL374X, 450 mm for WL526X, and 600 mm for WL678X).

Plain bend placement, as for all other Flexlink conveyors, should always be considered. A plain bend placed too far downstream on a conveyor generates unnecessary belt pull. Also, placement of a plain bend too close to an end drive unit can lead to an unnecessary slack increase and a separate slack unit must be added. Always use the Flexlink calculation tool (FLCT) to calculate the resulting pull forces.

### Plain bend, Easy Clean, 45°



Plain bend, 45°±1°

R=550±10 mm

**WLBPX 45A273**

\* Use online configurator when ordering  
Effective track length: 2,1 m  
Weight, incl belt: 23 kg

PO  
X70X  
X85X  
X180X  
X300X

WL  
222X

WL  
273X

WL  
374X

WL  
526X

WL  
678X

CSX

GRX

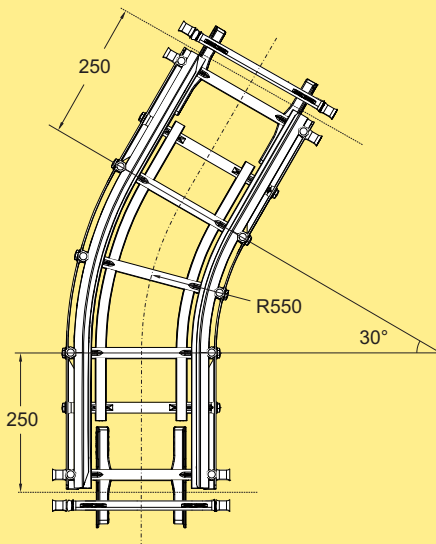
FSTX

TR

APX

IDX

### Plain bend, Easy Clean 30°



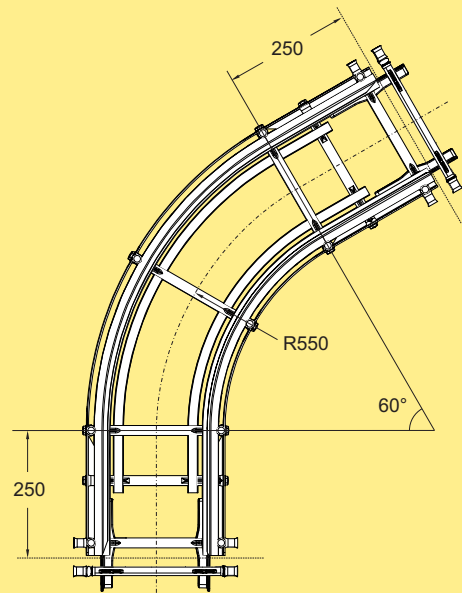
Plain bend, 30°±1°

R=550±10 mm

**WLBPX 30A273**

\* Use online configurator when ordering  
Effective track length: 1,7 m  
Weight, incl belt: 21 kg

### Plain bend, Easy Clean 60°



Plain bend, 60°±1°

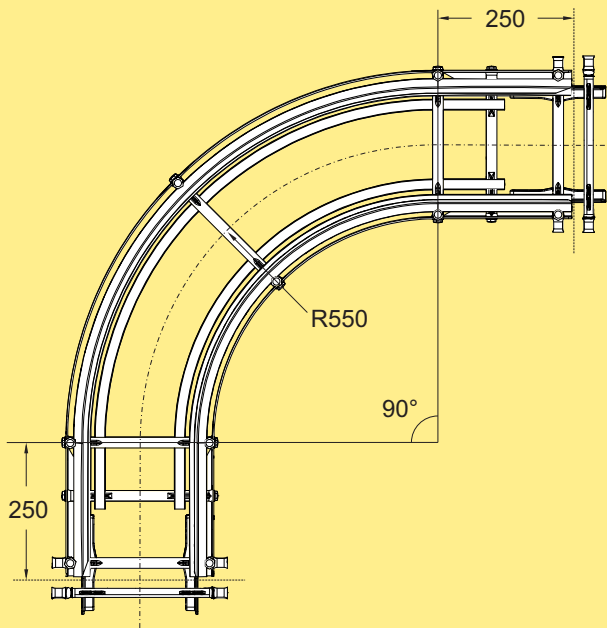
R=550±10 mm

**WLBPX 60A273**

\* Use online configurator when ordering  
Effective track length: 2,4 m  
Weight, incl belt: 25 kg

## Plain Bends (continued)

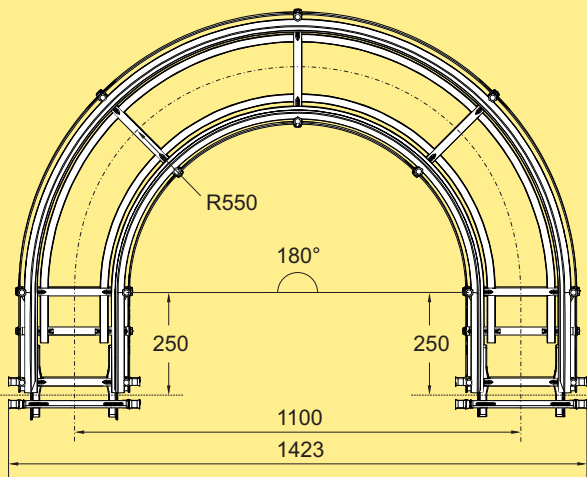
### Plain bend, Easy Clean 90°



Plain bend, 90°±1°  
R=550±10 mm **WLBPX 90A273**

\* Use online configurator when ordering  
Effective track length: 3,1 m  
Weight, incl belt: 28 kg

### Plain bend, Easy Clean 180°

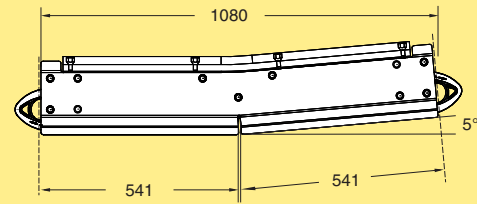


Plain bend, 180°±1°  
R=550±10 mm **WLBPX 180A273**

\* Use online configurator when ordering  
Effective track length: 5,1 m  
Weight, incl belt: 42 kg

## Vertical bends

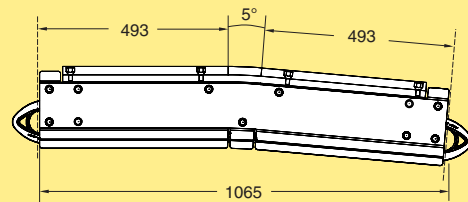
### Vertical bend, Easy Clean, 5° (pos.)



Vertical bend 5°, pos **WLBVX 5A273P**

\* Use online configurator when ordering  
Effective track length: 2,1 m  
Weight, incl belt: 23 kg

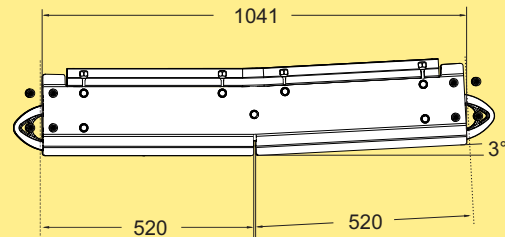
### Vertical bend, Easy Clean, 5° (neg.)



Vertical bend 5°, neg **WLBVX 5A273N**

\* Use online configurator when ordering  
Effective track length: 2,1 m  
Weight, incl belt: 22 kg

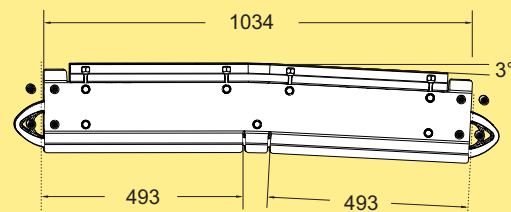
### Vertical bend, Easy Clean, 3° (pos.)



Vertical bend 3°, pos **WLBVX 3A273N**

\* Use online configurator when ordering  
Effective track length: 2,1 m  
Weight, incl belt: 22kg

### Vertical bend, Easy Clean, 3° (neg.)



Vertical bend 3°, neg **WLBVX 3A273N**

\* Use online configurator when ordering  
Effective track length: 2,1 m  
Weight, incl belt: 22 kg

# Support System Modules - Introduction

## Conveyor supports

Support modules must be specified using the web-based configurator. There, a product code string is generated that contains the specification details (E.g., WLUFX S01-WL374X-900).

### Support module, single leg

Top of belt  
660 - 1500

Adjustable foot  
± 33

Connecting brackets

Support module, single leg **WLUFX S04**

**Support module, single leg WLUFX S04**

Parameter	Option
Top of belt:	660-1500 mm
Foot type:	XCFSX 16x80 H XCFSX 16x80 HA XCFSX 16x80 XCFSX 16x80 A
Bracket type:	WLCSX 10X56 WLCSX 10

### Support module, type H

678  
526  
374  
273  
222

Top of belt  
660 - 1500

Adjustable foot  
± 33

Connecting brackets

Support module type H **WLUFX S01**

**Support module type H, WLUFX S01**

Parameter	Option
Platform	WL222X WL273X WL374X WL526X WL678X
Top of belt:	660-1500 mm
Foot type:	XCFSX 16x80 H XCFSX 16x80 HA XCFSX 16x80 XCFSX 16x80 A
Bracket type:	WLCSX 10X56 WLCSX 10 WLCSX 10X56V40

### Foot holder for adjustable foot

M10 (x2)

85

46

31

M16  
Depth 100

Foot holder  
Including 2 pcs M10 screws **XCFCX 16x100**

### Adjustable foot

M16

243

37 Max

66 Min

Ø 80

Ø 15 mm

Adjustable foot

Option	Parameter
XCFSX 16x80	M16
XCFSX 16x80 A	M16, Anchoring
XCFSX 16x80 H	M16, EHEDG/3A
XCFSX 16x80 HA	M16, EHEDG/3A, Anchoring

