

Modular belt conveyor WL526X

Modular plastic belt conveyor WL526X

Contents

System information.....	133	Drive units – configuration strings	143
Conveyor sections.....	134	End drive units	144
Modular Belts - Introduction	135	Idler end units – Introduction.....	146
Modular belts	136	Idler units.....	146
Conveyor Beams - Introduction.....	138	Plain Bends - Introduction.....	147
Conveyor frame components	140	Support System Modules - Introduction	150
Slide rail	141		
End Drive Units - Introduction.....	142		

System information



PO
X70X
X85X
X180X
X300X
WL
222X
WL
273X

System overview

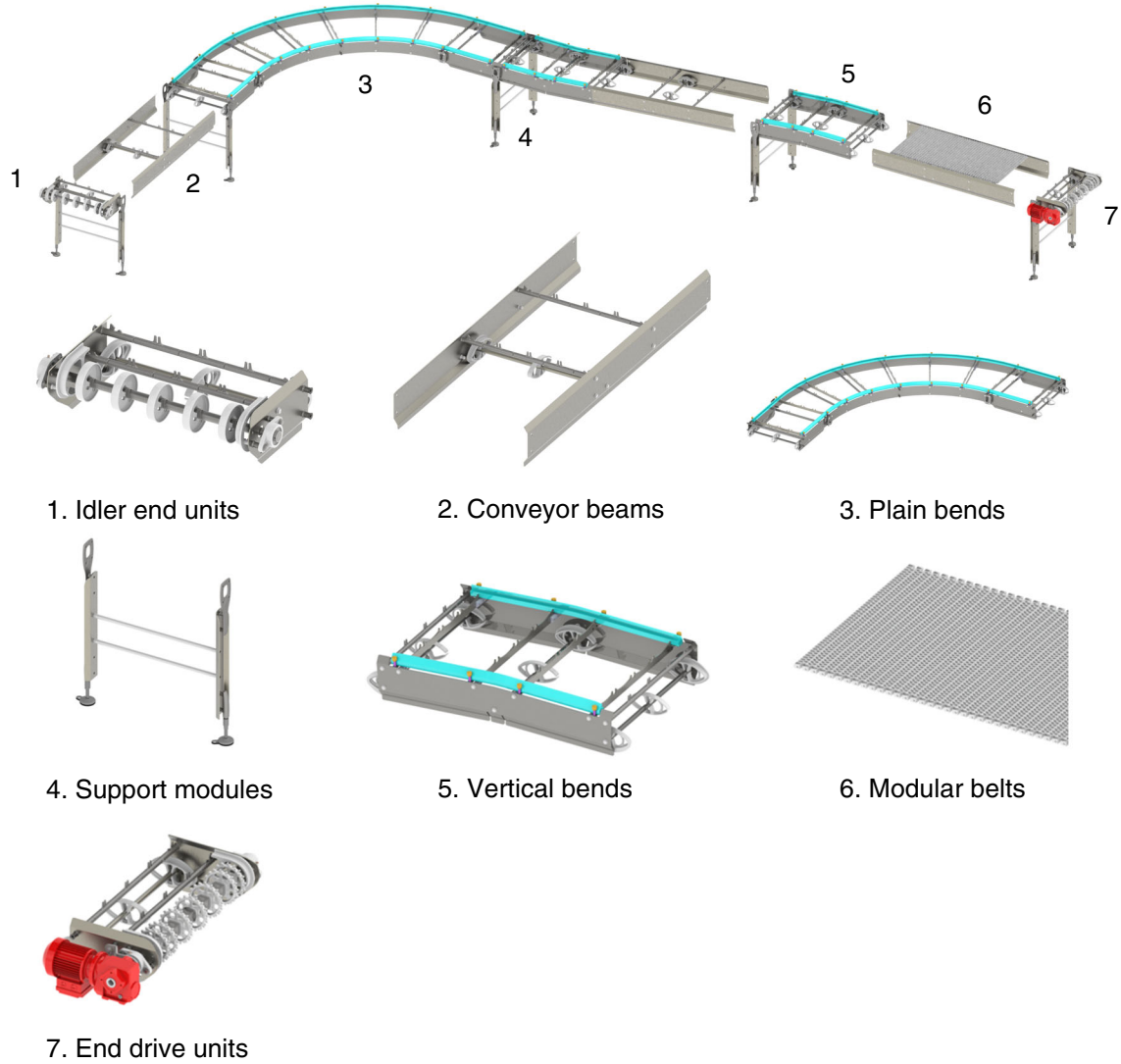
FlexLink's newly developed stainless steel conveyor is designed to fit into demanding primary and secondary packaging applications. It addresses important aspects of today's packing processes, such as being easy to clean, smooth handling of products, safe for operators, robust design, long life, and easy to maintain with a low cost of ownership.

The modularized and standardized design ensures fast set up, and facilitates rapid future extensions and changes.

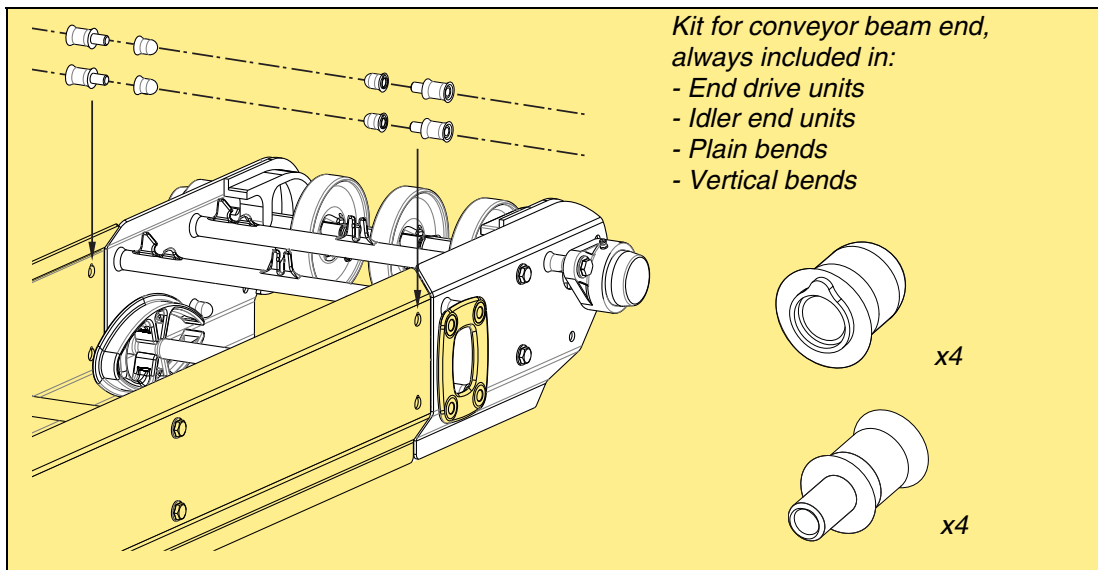
Technical specifications

Maximum speed:	40 m/min
Maximum conveyor length:	20 m
Max single item weight:	up to 30 kg
Total load on a conveyor:	300 kg
Max product weight per belt pitch:	1,5 kg/slide rail
Max permissible pull force (with bends):	1000 N
Max permissible pull force (without bends):	1200 N

WL
374X
WL
526X
WL
678X
CSX
GRX
FSTX
TR
APX
IDX



The modular plastic belt conveyor in five widths – 222, 273, 374, 526 and 678 mm – can be built as straight sections or in S, U or L-shape with 30, 45, 60, 90° (180° only for 222 and 273) horizontal bend, or combinations thereof. Vertical bends are available in 5° (3° only for 222 and 273) positive or negative.



Modular Belts - Introduction



Modular belt, Radius flush grid, curve-running

The belt consists of plastic hinged links connected by plastic rods. The wide belts are woven together by links that are 102 mm, 124 mm, and 180 mm wide. The assembled belt forms a wide, flat, and tight conveyor surface. Five standard widths of belt can be delivered: 152 mm, 203 mm, 304 mm, 456 mm, and 608 mm.

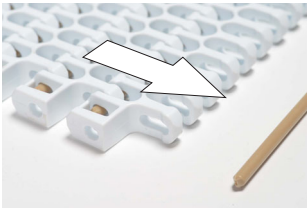
Standard belt color is white but blue belts can also be ordered.

Belts with polyamide pins are available for dry or semi-wet applications. In constant wet applications, belts with acetal pins must be used. This is due to the fact that polyamide pins will absorb water and swell in wet applications, and acetal pins will squeak in dry environments.

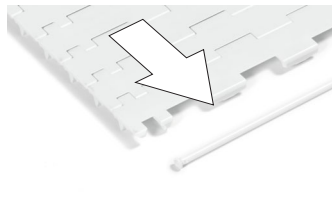
Flat top belt, straight running

The belt has a minimal number of seams and has open hinges that are easy to clean. The belt is white and is available with acetal pins for wet applications

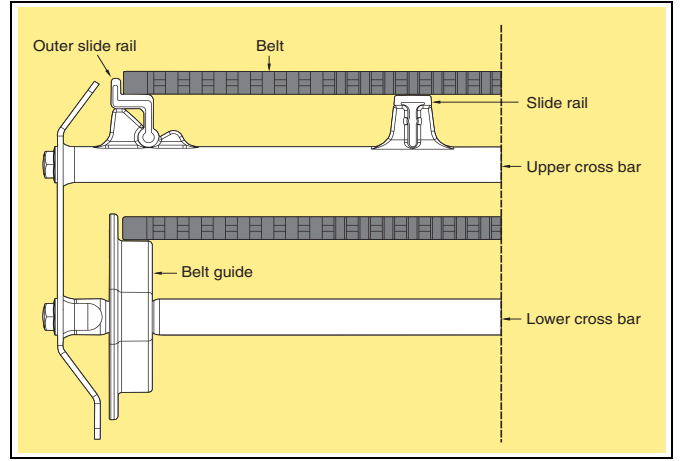
Travel direction of the belts:



Radius flush grid



Flat top belt



Technical characteristics

Belt width	456 mm
Modular belt weight (Acetal)	
Radius flush grid (R2.2)	3,43 kg/m
Radius flush grid (R1.7)	3,85 kg/m
Flat top belt	3,22 kg/m
Modular belt height	
Radius flush grid	13 mm
Flat top belt	10 mm
Belt pitch	25,4 mm
Max. permissible belt tension without bends	1200N
Max. permissible belt tension through a bend	1000N/750N*
<small>*belt R.17 (WLTP 1A304S, WLTP 1A304 BS, WLTP 1A304WS, WLTP 1A304 WBS)</small>	
Temperature range (Acetal)	1 °C to +40 °C For other temperatures request for quotation

Tools and accessories

The belt should be pretensioned with a return slack of about 25 mm. Too much belt slack is a safety risk as the belt can hang below the side of the conveyor beam. A belt tensioner tool (51 18803) is available in order to facilitate installation of the belt and minimize the amount of slack in the return belt.

Ordering information

The belt is delivered in assembled 1 m lengths. To calculate the total length required, remember to add for belt consumed by the idler and drive units.

PO

X70X

X85X

X180X

X300X

WL
222X

WL
273X

WL
374X

WL
526X

WL
678X

CSX

GRX

FSTX

TR

APX

IDX

Modular belts

Radius flush grid belt (R2.2), Dry



Plain belt

Belt material Acetal (POM)
Pin material Polyamide (PA),
brown
Length 1 m
456 mm wide, White
456 mm wide, Blue

WLTP 1A456L
WLTP 1A456L B

Flat top belt



Flat top belt

Belt material Acetal (POM)
Pin material Acetal (POM), white
Length 1 m
456 mm wide

WLTP 1B456 W

Radius flush grid belt (R2.2), Wet



Plain belt

Belt material Acetal (POM)
Pin material Acetal (POM),
white
Length 1 m
456 mm wide, White
456 mm wide, Blue

WLTP 1A456L W
WLTP 1A456L WB

Radius flush grid belt (R1.7), Dry



Plain belt

Belt material Acetal (POM)
Pin material Polyamide (PA),
brown
Length 1 m
456 mm wide, White
456 mm wide, Blue

WLTP 1A456 S
WLTP 1A456 BS

Belt tensioner tool for radius flush grid

Belt tensioner tool

5118803

Radius flush grid belt (R1.7), Wet



Plain belt

Belt material Acetal (POM)
 Pin material Acetal (POM),
 white
 Length 1 m
 456 mm wide, White
 456 mm wide, Blue

WLTP 1A456 WS
WLTP 1A456 WBS

Radius flush grid belt (R2.2), Wet (Spare part Available as request for quote item)



Plain belt

Belt material Acetal (POM)
 Pin material Acetal (POM),
 white
 Length 1 m
 456 mm wide, White
 456 mm wide, Blue

WLTP 1A456 W
WLTP 1A456 WB

Radius flush grid belt (R2.2), Dry (Spare part Available as request for quote item)



Plain belt

Belt material Acetal (POM)
 Pin material Polyamide (PA),
 brown
 Length 1 m
 456 mm wide, White
 456 mm wide, Blue

WLTP 1A456
WLTP 1A456 B

Note! For use with belt delivered before April 2019

Note! For use with belt delivered before April 2019

PO

X70X

X85X

X180X

X300X

WL
222X

WL
273X

WL
374X

WL
526X

WL
678X

CSX

GRX

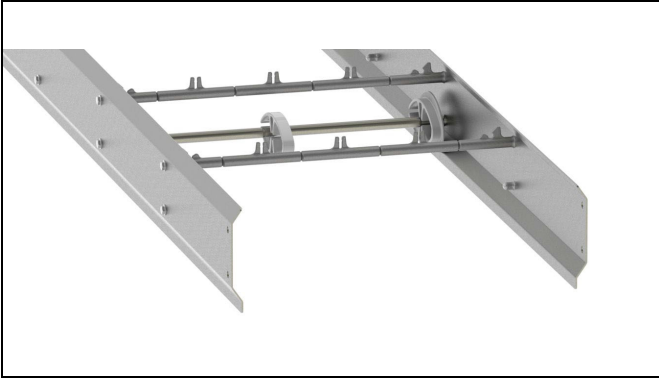
FSTX

TR

APX

IDX

Conveyor Beams - Introduction



Conveyor frame structure

Components such as plain bends, etc., cannot be placed too close to an End drive unit. Therefore, the minimum permissible length for conveyor beam sections when connecting to an End drive unit is 844 mm. This ensures a sufficient amount of return belt tension directly after the drive sprocket to avoid slack close to the sprocket wheel. The return belt hanging between the first two belt guides provides this belt tension (called back tension). For more information see WLX Engineering guidelines.

Connecting brackets have to be ordered separately when joining End drives, idler ends, conveyor beams, etc.

When joining two conveyor beams, a beam spacer kit must be ordered separately.

Frame profiles and cross bars

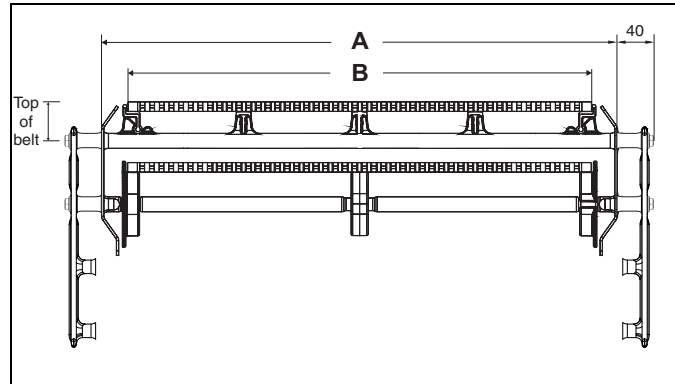
In order to facilitate cleaning, the top belt can be lifted up and the outer slide rails can be folded back.

For hygiene reasons, the WLX system is based on an easy-to-clean, free hanging return belt.

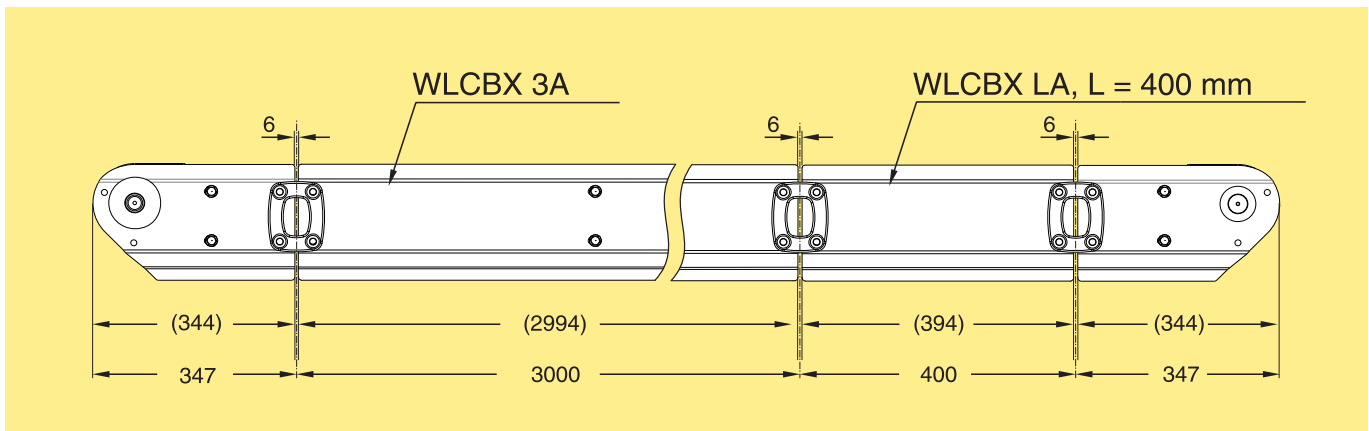
Elongation of the belt due to load is normally evenly distributed on the return side and along the whole conveyor, and placement of the belt guides for the return belt is critically important for proper conveyor system performance. Conveyor beams can be ordered from 142 mm up to 3000 mm and are always pre-engineered and configured according to the rules that must be followed.

Conveyor beams are normally not symmetrical, which is why they have an upstream and downstream end. An arrow label on the conveyor beam side indicates the appropriate top belt travel direction to ensure correct assembly.

Conveyor dimensions

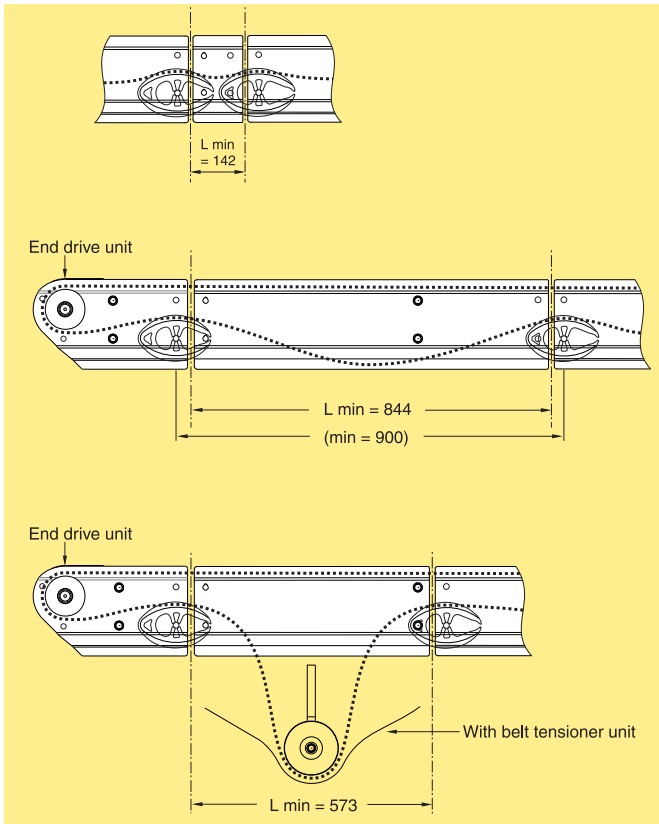


	WL526X
Conveyor width A	526 mm
Usable belt width B	456 mm
Top of belt:	
WLTP 1A	52 mm
WLTP 1B	49 mm



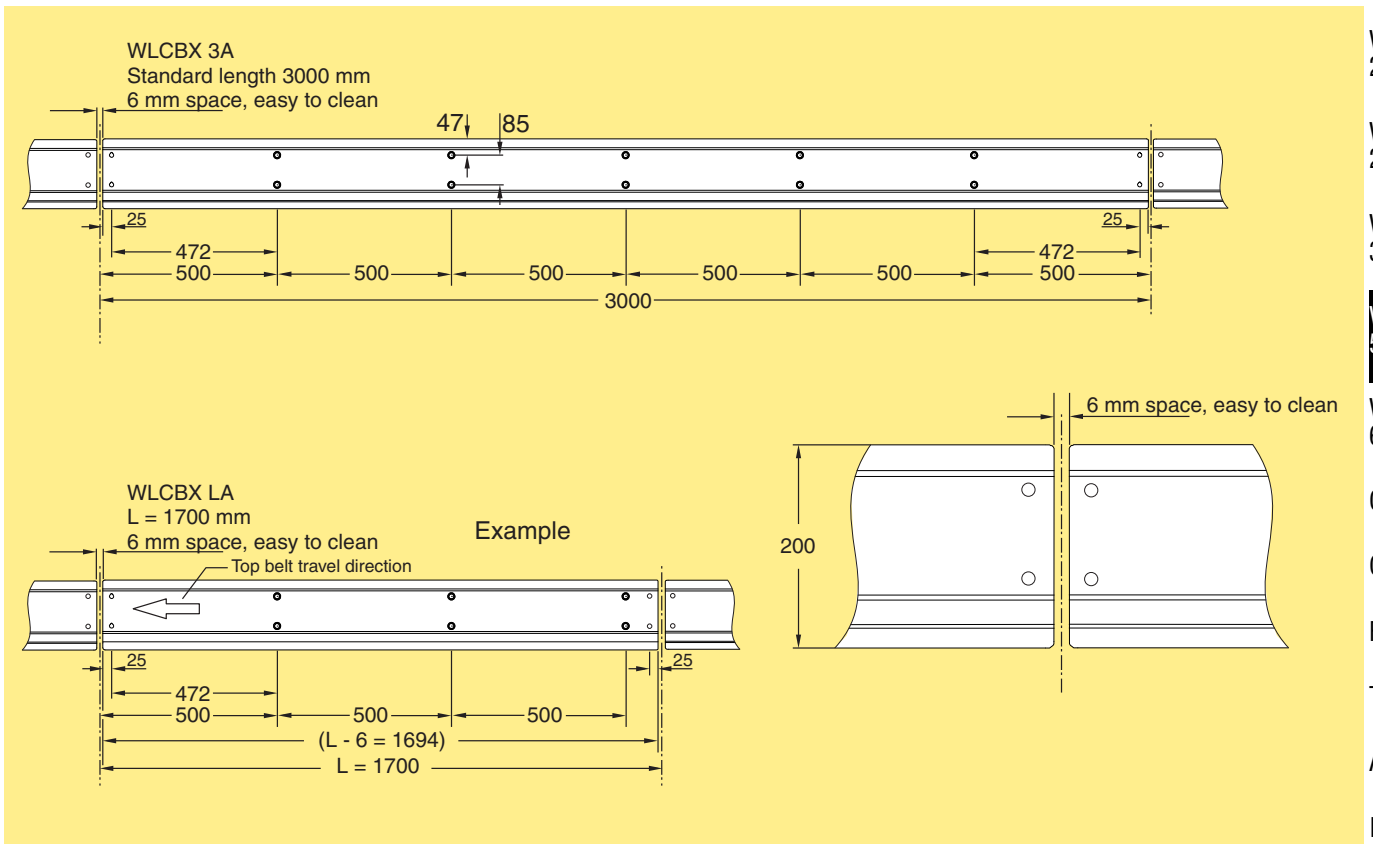
Technical specifications

Minimum permissible conveyor beam length to be connected:



In order to simplify the cleaning process FlexLink can offer belt lift arms for straight conveyors. Contact FlexLink for more information.

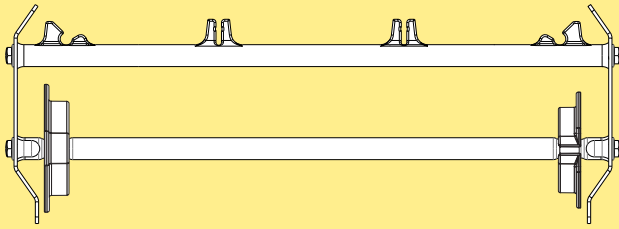
- PO
- X70X
- X85X
- X180X
- X300X



- WL 222X
- WL 273X
- WL 374X
- WL 526X
- WL 678X
- CSX
- GRX
- FSTX
- TR
- APX
- IDX

Conveyor frame components

Conveyor beam, Easy Clean



Conveyor beam, WL526X

Length 3 m (3000 ±1,2 mm)

Length to order (142- 2999 mm)

WLCBX 3A526

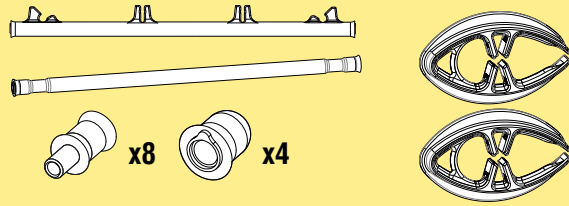
WLCBX LA526

* Use online configurator when ordering

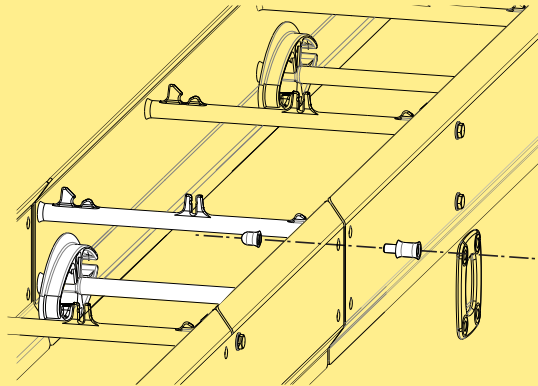
Effective track length: 2,1 m

Weight, incl belt: 21 kg/m

Beam spacer Kit for WL526



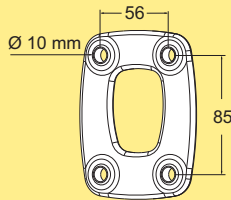
x8 x4



Beam spacer kit

WLCEX A526

Connecting bracket kit



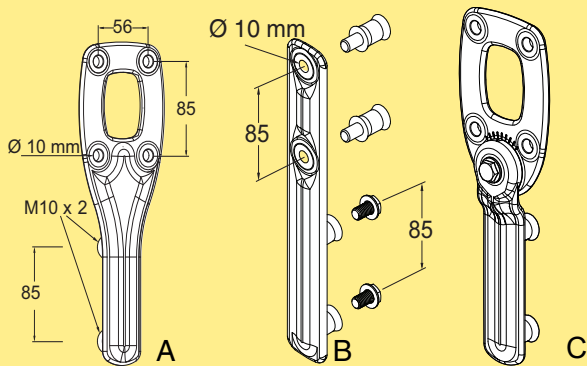
Connecting Bracket

For beam

Including 4 pcs M10 screws

WLCJX 10X56

Beam support brackets



Beam support bracket (A)

Including 6 pcs M10 screws

WLCSX 10X56

Beam support bracket (B)

Including 2 pcs M10 screws and

2 pcs spacer WLRDX M10X25

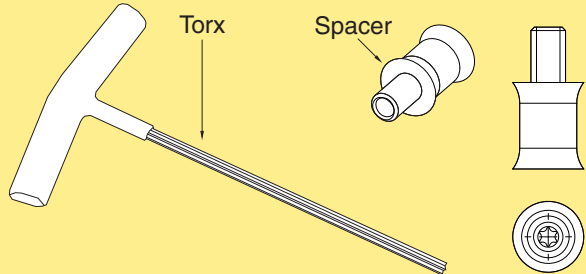
WLCSX 10

Beam support bracket (C)

Adjustable ±40°

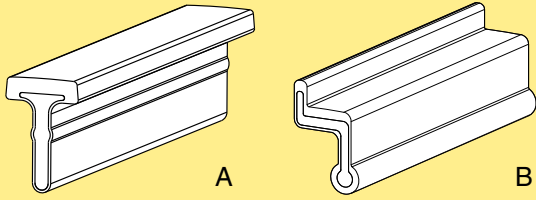
WLCSX 10X56V40

Recommended Torx tool for fasten spacer
Size T30



Slide rail

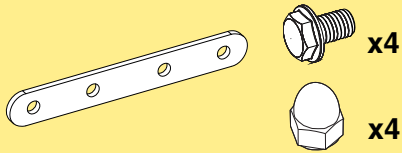
Slide rail



Slide rail, length 3 m
Slide rail (A)
Outer slide rail (B)

WLCRX 3
WLCRX 3 B

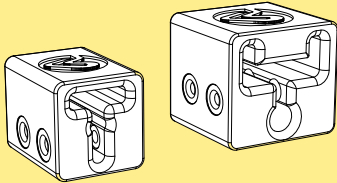
Connecting Strip



Connecting strip kit
Contains 10 pcs.

WLAHX 100

Drill fixture for connecting strip



Contains drill fixtures for both
WLCRX 3 and WLCRX 3B

5118922

PO

X70X

X85X

X180X

X300X

WL
222X

WL
273X

WL
374X

WL
526X

WL
678X

CSX

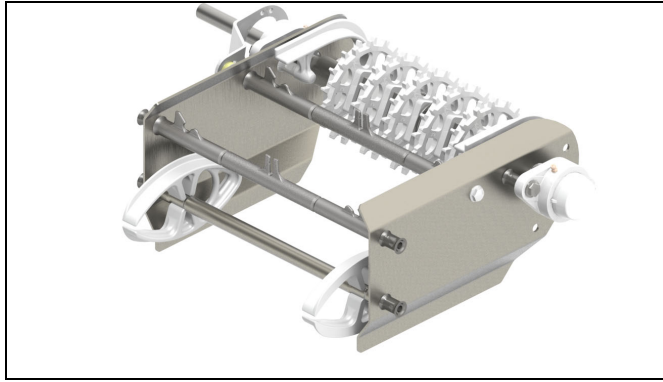
GRX

FSTX

TR

APX

IDX



End drive unit

Technical specifications

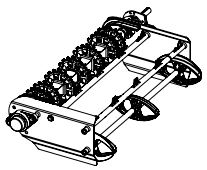
Maximal speed..... 40 m/min
 Number of teeth on sprocket wheel ... 16

Belt tensioner unit

A belt tensioner unit should always be placed near the End drive unit and its use is recommended:

- for long conveyors >20 meters
- for long conveyors >15 m and a speed of >30 m/min
- for conveyors with frequent starts/stops, especially if the load is high
- if an End drive unit needs to be placed close to a plain bend
- if an End drive unit needs to be placed on the lower part next to a conveyor slope section
- for short conveyors where the belt slack length is insufficient to lift the belt for cleaning

End drive units

Size	Direct drive, no slip clutch
Drive unit types	 F, V

Drive unit types

A soft motor start is recommended for use with high-speed and long conveyors. This is because these types of modular belts are quite heavy, and the free hanging return belt can begin to oscillate momentarily during startup.

A grease nipple is included in all flange bearings. The bearings are initially filled with FDA-approved, food-grade grease (NSF H1).

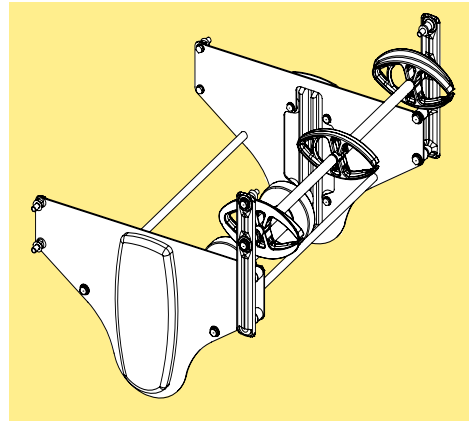
End drive units including SEW motors IP 65, can be ordered with food-grade oil and stainless steel hollow shafts in the web-based configurator.

Motor specifications

Motors are available for 230/400 V, 50 Hz and 230/460 V, 60 Hz. Variable speed motors are SEW Movimot, 380–500 V. Note that variable speed motors include a control box that adds 120 mm to the width of the motor.

IP55 available with standard oil.

IP65 available with food grade oil.



Ordering information

Drive units with motors must be specified using the web-based configurator. The configurator provides detailed information and step-by-step guidance in the specification process. A product code string is generated, containing the specification details. See next page for examples of code strings.

Drive units *without* motors can be ordered using the designations in the catalogue.

- Connecting brackets have to be ordered separately.
- Slide rail must be ordered separately.

Dimension

Note that dimensions relating to drive unit motors depend on the motor specified during the configuration.

Drive units – configuration strings

Below are two examples of text strings obtained from the configurator with explanations.

Drive unit with fixed speed motor

Item no	A	B	D	E	G	H	I
	HNP	- L	- V4	- SA37	- 50/230	- 0,18kW	- TF

Drive unit with variable speed motor

Item no	A	B	D	E	F	G	J	K
	HPV	- L	- V6-15	SA37	- MM03	- 50/380-500	- C	- P

Item no - Drive type

WLEBX: End drive

TF: Thermal protection type TF
 TH: Thermal protection type TH
 (position is omitted for variable speed motors)

A – 0-Unit

HNP: Direct drive, no slip clutch
 ...V: Variable speed

J – Hybrid cable

No: No hybrid cable
 C: Hybrid cable included in SEW Movimot
 (position is omitted for fixed speed motors)

B – Motor position

L: Left
 R: Right

K – Fieldbus

No: No fieldbus
 P: Profibus fieldbus, maintenance switch
 D: DeviceNet fieldbus, maintenance switch
 (position is omitted for fixed speed motors)

D – Speed

V...: Fixed speed... m/min
 V... -...: Variable speed range...-... m/min

E – Gearbox

SA37: SEW motor type SA37
 WA30: SEW gear box type WA30

F – Movimot size

MM03: SEW Movimot type, 0,37 kW
 MM05: SEW Movimot type, 0,55 kW
 MM07: SEW Movimot type, 0,75 kW
 (position is omitted for fixed speed motors)

G – Electrical environment

50/230: 50 Hz, 230 V
 50/400: 50 Hz, 400 V
 60/230: 60 Hz, 230 V
 60/460: 60 Hz, 460 V
 50/380-500: SEW Movimot variable speed motor

H – Motor power

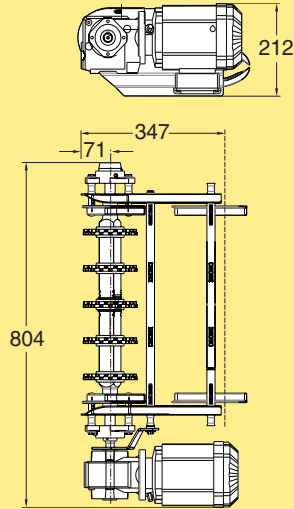
... kW: Motor power, kW
 (position is omitted for variable speed motors
 see position F)

I – Thermal protection

No: No thermal protection

PO
 X70X
 X85X
 X180X
 X300X
 WL
 222X
 WL
 273X
 WL
 374X
 WL
 526X
 WL
 678X
 CSX
 GRX
 FSTX
 TR
 APX
 IDX

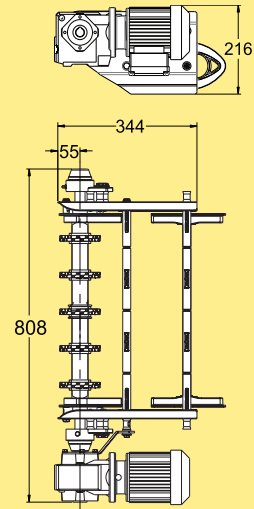
End drive unit Easy Clean, Radius flush grid 526



End drive unit
 Fixed/variable speed* **WLEBX A526**
 Without motor:
 Transmission on left side **WLEBX0A526NLP**
 Transmission on right side **WLEBX0A526NRP**

* Use online configurator when ordering
 Effective track length: 0,8 m
 Weight, incl belt: 20 kg

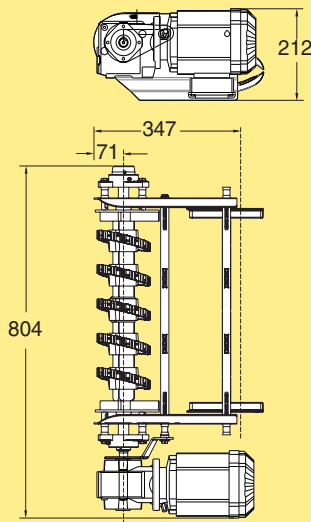
End drive unit S, Radius flush grid 526



End drive unit
 Fixed/variable speed* **WLEBX A526 S**
 Without motor:
 Transmission on left side **WLEBX0A526NLP S**
 Transmission on right side **WLEBX0A526NRP S**

* Use online configurator when ordering
 Effective track length: 0,75 m
 Weight, incl belt: 19,2 kg

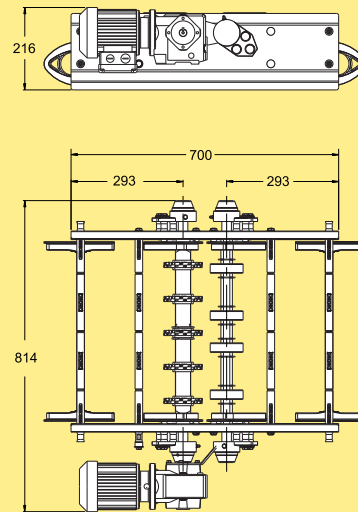
End drive unit Easy Clean, Flat top 526



End drive unit
 Fixed/variable speed* **WLEBX B526**
 Without motor:
 Transmission on left side **WLEBX0B526NLP**
 Transmission on right side **WLEBX0B526NRP**

* Use online configurator when ordering
 Effective track length: 0,80 m
 Weight, incl belt: 20 kg

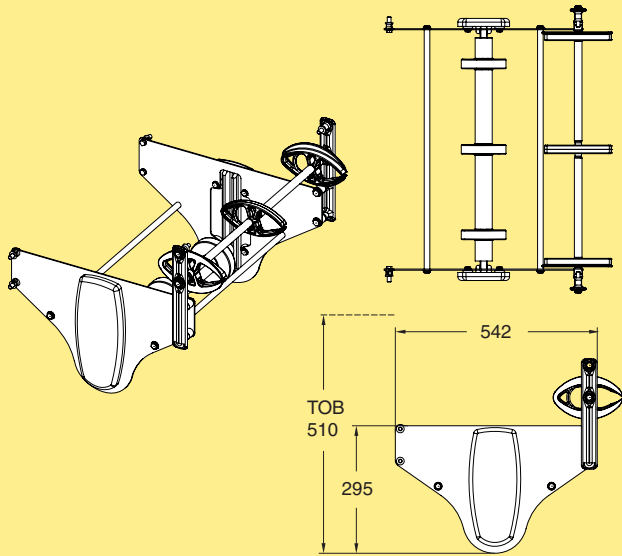
End drive unit J, Radius flush grid 526



End drive unit
 Fixed/variable speed* **WLEBX A526 J**
 Without motor:
 Transmission on left side **WLEBX0A526NLPJ**
 Transmission on right side **WLEBX0A526NRPJ**

* Use online configurator when ordering
 Effective track length: 1,5 m
 Weight, incl belt: 33,0 kg

Belt tensioner unit



Belt tensioner for:
WL526X

5118890

Required extra belt length

0,55 m

Weight, incl belt: 19 kg

PO

X70X

X85X

X180X

X300X

WL
222X

WL
273X

WL
374X

WL
526X

WL
678X

CSX

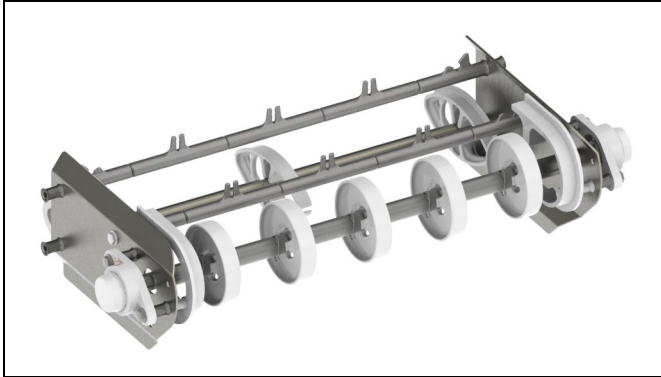
GRX

FSTX

TR

APX

IDX



Idler end unit (generic picture)

Chain guidance at end of conveyor

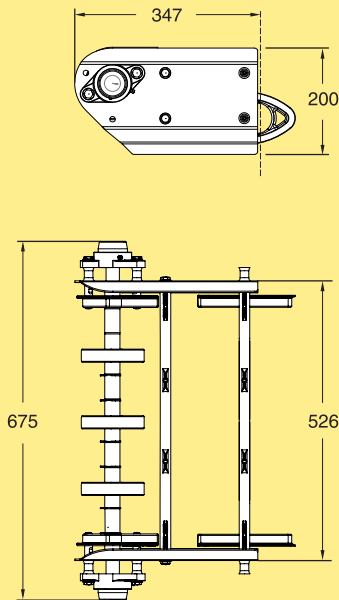
The idler end unit is used to guide the chain from the return side of the conveyor up to the top side with a minimum of friction. The chain is guided by two or more idler wheels on a common, rotating shaft supported by ball bearings.

Ordering information

- Connecting strips are included with the idler end units.
- Slide rail must be ordered separately.

Idler units

Idler end unit, WL526



Idler end unit (For conveyors with plain bends)

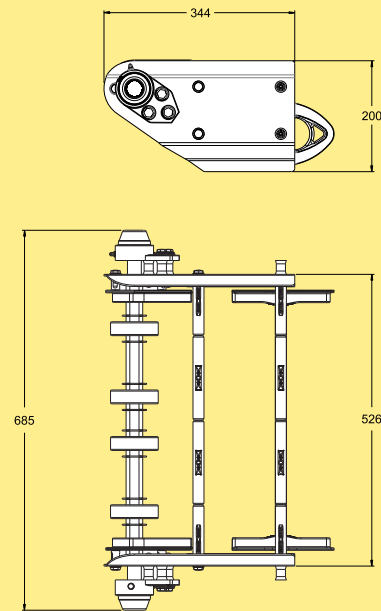
WLEJX 300A526

Idler en unit (Only for straight conveyors)

WLEJX 300B526

* Use online configurator when ordering
Effective track length: 0,80 m
Weight, incl belt: 18 kg

Idler end unit, WL526 S



Idler end unit

WLEJX 300A526 S

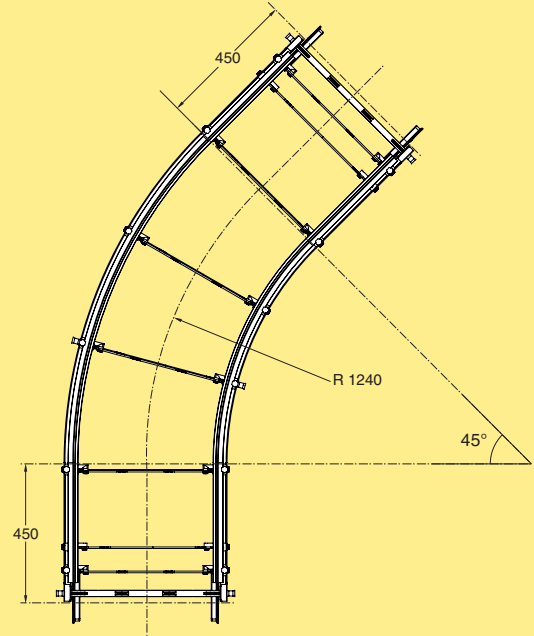
* Use online configurator when ordering
Effective track length: 0,75 m
Weight, incl belt: 15,4 kg

Plain Bends - Introduction

When using radius flush grid belts in plain bends, the belt pull force will be concentrated on the outer part of the belt. A certain straight section is needed before and after the bend in order to transfer the load between the outer belt section and evenly distribute it to the straight belt section. This is critical before entering another plain bend, end drive unit, etc. This required straight section is always integrated in the plain bend itself (300 mm for WL374X, 450 mm for WL526X, and 600 mm for WL678X).

Plain bend placement, as for all other Flexlink conveyors, should always be considered. A plain bend placed too far downstream on a conveyor generates unnecessary belt pull. Also, placement of a plain bend too close to an end drive unit can lead to an unnecessary slack increase and a separate slack unit must be added. Always use the Flexlink calculation tool (FLCT) to calculate the resulting pull forces.

Plain bend, Easy Clean 45°



Plain bend, 45°±1°
R=1240±10 mm

WLBPX 45A526

* Use online configurator when ordering
Effective track length: 4,2 m
Weight, incl belt: 54 kg

PO

X70X

X85X

X180X

X300X

WL
222X

WL
273X

WL
374X

WL
526X

WL
678X

CSX

GRX

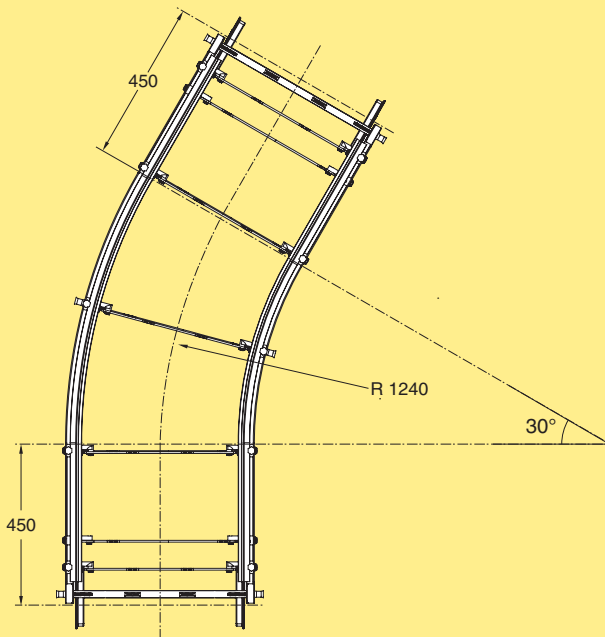
FSTX

TR

APX

IDX

Plain bend, Easy Clean 30°

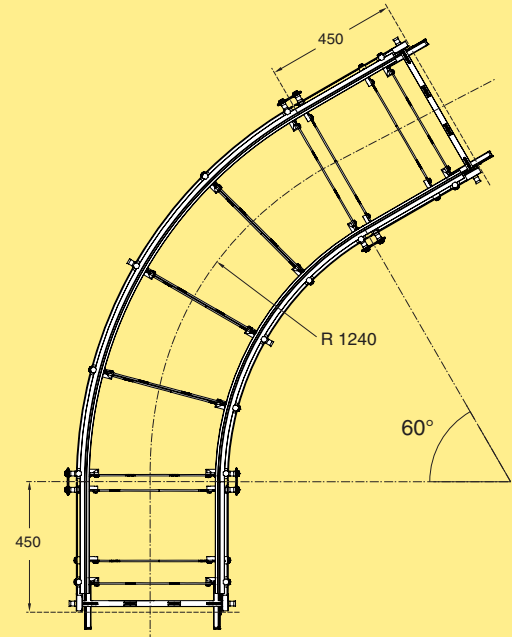


Plain bend, 30°±1°
R=1240±10 mm

WLBPX 30A526

* Use online configurator when ordering
Effective track length: 3,4 m
Weight, incl belt: 46 kg

Plain bend, Easy Clean 60°

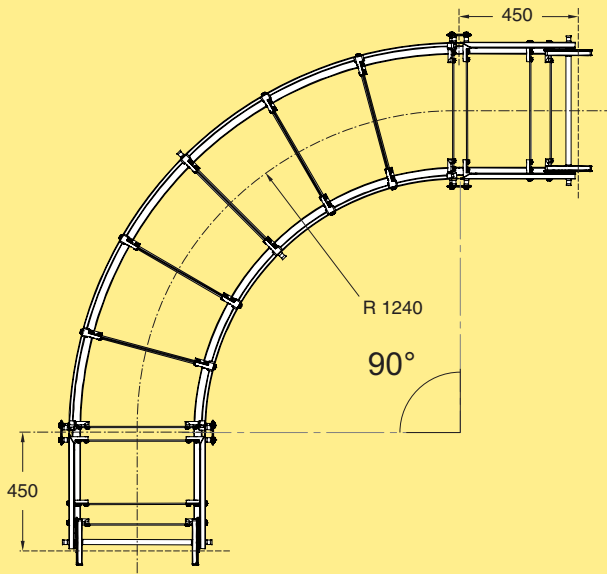


Plain bend, 60°±1°
R=1240±10 mm

WLBPX 60A526

* Use online configurator when ordering
Effective track length: 4,9 m
Weight, incl belt: 64 kg

Plain bend, Easy Clean 90°



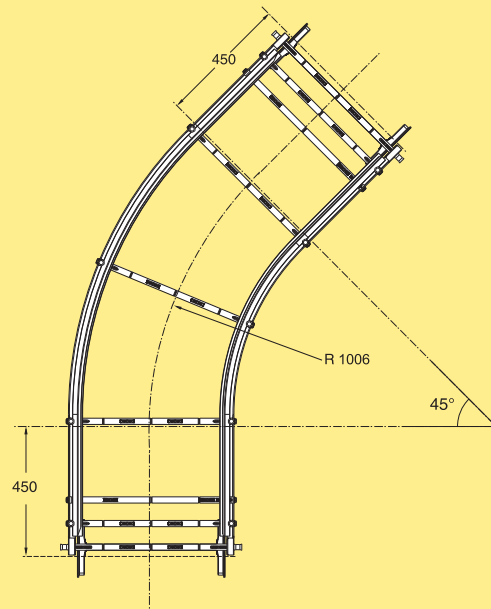
Plain bend, 90°±1°

R=1240±10 mm

WLBPX 90A526

* Use online configurator when ordering
 Effective track length: 6,5 m
 Weight, incl belt: 79 kg

Plain bend, Easy Clean 45° R1,7



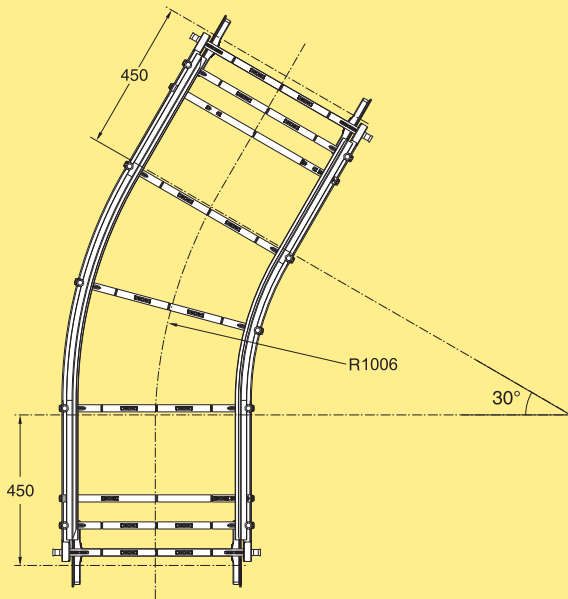
Plain bend, 45°±1°

R=1006±10 mm

WLBPX 45A526 S

* Use online configurator when ordering
 Effective track length: 3,38 m
 Weight, incl belt: 49,3 kg

Plain bend, Easy Clean 30° R1,7



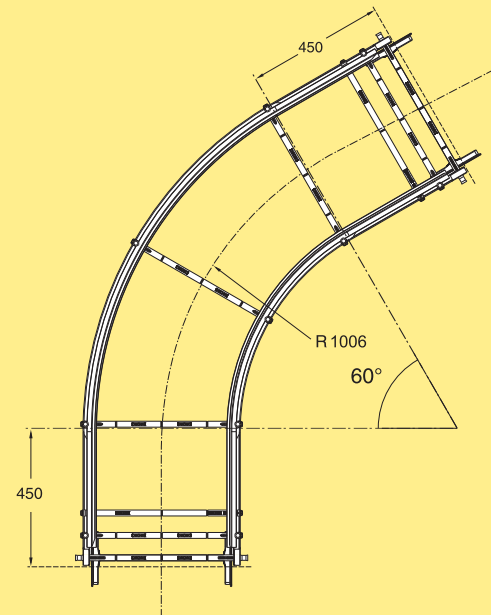
Plain bend, 30°±1°

R=1006±10 mm

WLBPX 30A526 S

* Use online configurator when ordering
 Effective track length: 2,85 m
 Weight, incl belt: 45,1 kg

Plain bend, Easy Clean 60° R1,7



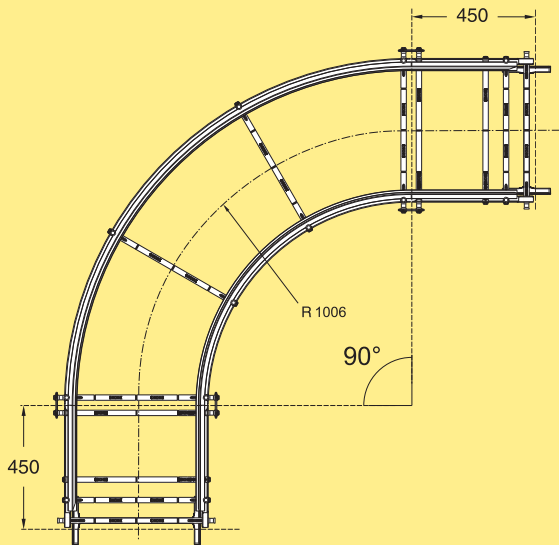
Plain bend, 60°±1°

R=1006±10 mm

WLBPX 60A526 S

* Use online configurator when ordering
 Effective track length: 3,91 m
 Weight, incl belt: 53,5 kg

Plain bend, Easy Clean 90° R1,7



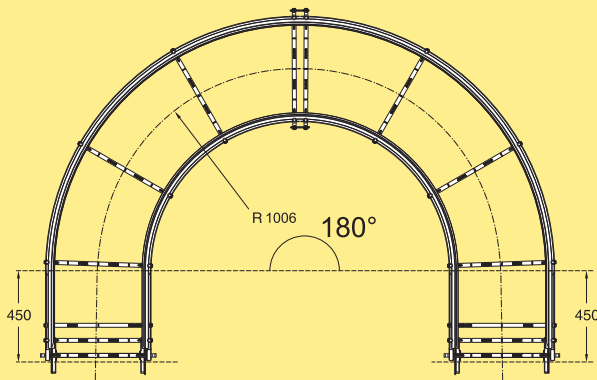
Plain bend, 90°±1°

R=1006±10 mm

WLBPX 90A526 S

* Use online configurator when ordering
 Effective track length: 4,96 m
 Weight, incl belt: 67 kg

Plain bend, Easy Clean 180° R1,7



Plain bend, 180°±2°

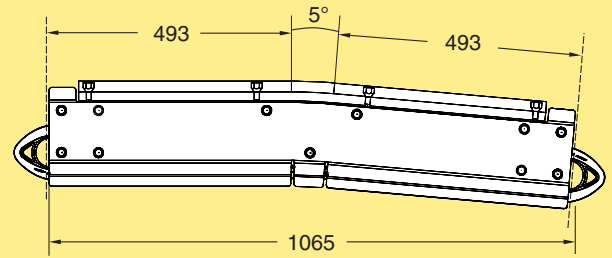
R=1006±10 mm

WLBPX 180A526 S

* Use online configurator when ordering
 Effective track length: 8,12 m
 Weight, incl belt: 102,2 kg

Vertical bends

Vertical bend, Easy Clean, 5° (neg.)

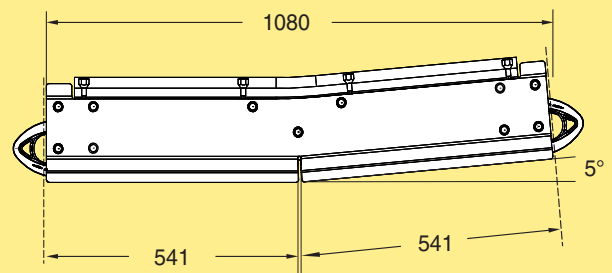


Vertical bend 5°, neg

WLBVX 5A526N

* Use online configurator when ordering
 Effective track length: 2,1 m
 Weight, incl belt: 32 kg

Vertical bend, Easy Clean, 5° (pos.)



Vertical bend 5°, pos

WLBVX 5A526P

* Use online configurator when ordering
 Effective track length: 2,1 m
 Weight, incl belt: 32 kg

- PO
- X70X
- X85X
- X180X
- X300X
- WL 222X
- WL 273X
- WL 374X
- WL 526X
- WL 678X
- CSX
- GRX
- FSTX
- TR
- APX
- IDX

Support System Modules - Introduction

Conveyor supports

Support modules must be specified using the web-based configurator. There, a product code string is generated that contains the specification details (E.g., WLUFX S01-WL374X-900).

Support module, single leg

Top of belt
660 - 1500

Adjustable foot
± 33

Connecting brackets

Support module, single leg **WLUFX S04**

Support module, single leg WLUFX S04

Parameter	Option
Top of belt:	660-1500 mm
Foot type:	XCFSX 16x80 H XCFSX 16x80 HA XCFSX 16x80 XCFSX 16x80 A
Bracket type:	WLCSX 10X56 WLCSX 10

Support module, type H

678
526
374
273
222

Top of belt
660 - 1500

Adjustable foot
± 33

Connecting brackets

Support module type H **WLUFX S01**

Support module type H, WLUFX S01

Parameter	Option
Platform	WL222X WL273X WL374X WL526X WL678X
Top of belt:	660-1500 mm
Foot type:	XCFSX 16x80 H XCFSX 16x80 HA XCFSX 16x80 XCFSX 16x80 A
Bracket type:	WLCSX 10X56 WLCSX 10 WLCSX 10X56V40

Foot holder for adjustable foot

M10 (x2)

85

46

31

M16
Depth 100

Foot holder
Including 2 pcs M10 screws **XCFCX 16x100**

Adjustable foot

M16

243

37
Max

66
Min

Ø 80

Ø 15 mm

Adjustable foot

M16	XCFSX 16x80
M16, Anchoring	XCFSX 16x80 A
M16, EHEDG/3A	XCFSX 16x80 H
M16, EHEDG/3A, Anchoring	XCFSX 16x80 HA

PO

X70X

X85X

X180X

X300X

WL
222X

WL
273X

WL
374X

WL
526X

WL
678X

CSX

GRX

FSTX

TR

APX

IDX

