

# Special width drip tray for wet environments



A FlexLink standard solution

5613EN-1

## A wide stainless steel drip tray solution



***FlexLink offers a stainless steel drip tray for use in handling oily or wet components. The tray has increased width for wider handled products***

### Standard features

- Sloping surfaces inside tray direct fluid to drainage points
- Integrated common tray and conveyor supports
- Modular design - quick and easy interchange ability with ease of assembly and installation
- Solutions available for wheel bends
- Solutions available for vertical bends
- Solutions available for drive and idler units

### FlexLink conveyor compatibility:

The system is designed around XH conveyor system but can be quickly adapted to suit the range of FlexLink conveyors

### Materials:

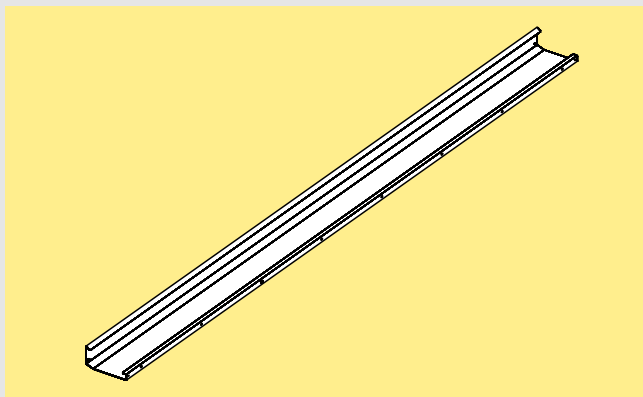
Conveyor support in stainless steel

Support bracket in stainless steel

Drip tray in stainless steel

## Wide drip tray

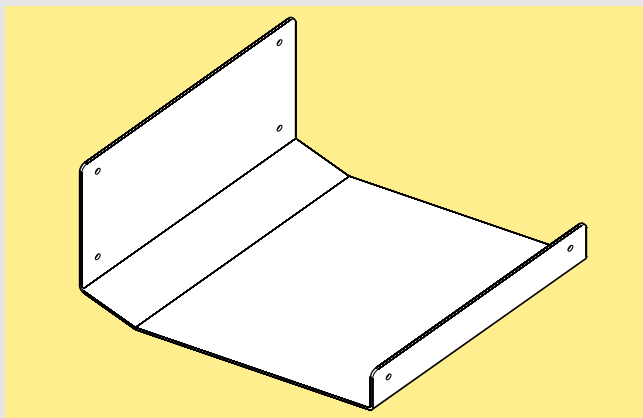
### Wide drip tray



Drip tray length 3m **8042370**  
Drip tray length Cut to length **8042205**

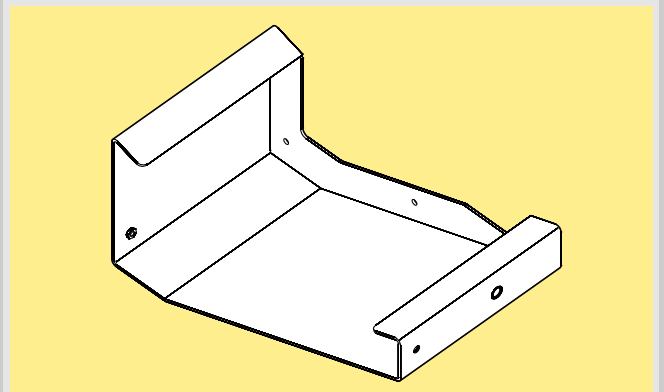
## Drip tray connectors and joining sections

### Drip tray connector



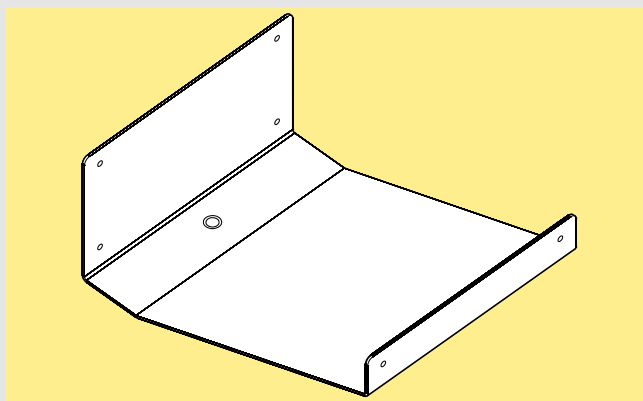
Drip tray connector **8042204**

### Drip tray joining section LH



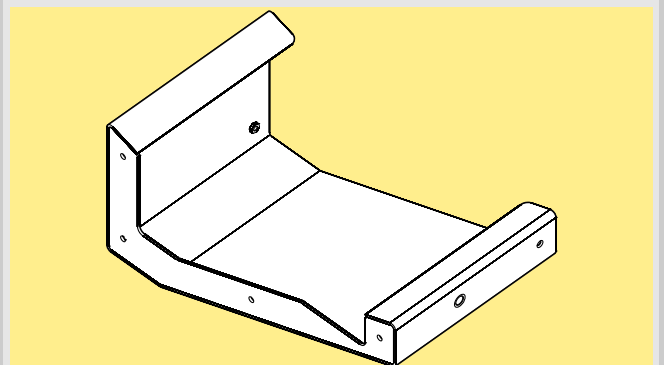
Drip tray joining section LH **8042218**

### Drip tray connector (with drip outlet)



Drip tray connector (with drip outlet) **8043272**

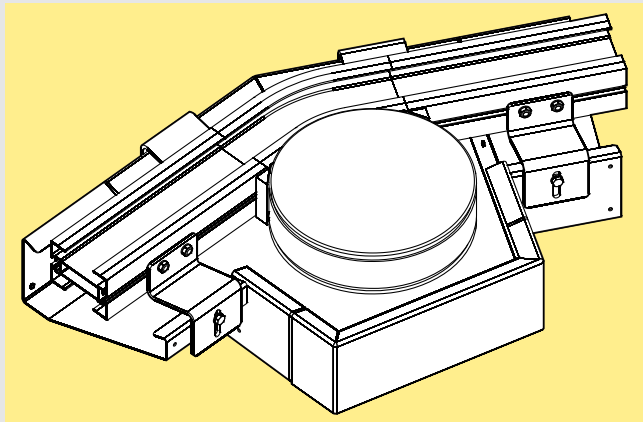
### Drip tray joining section RH



Drip tray joining section RH **8042235**

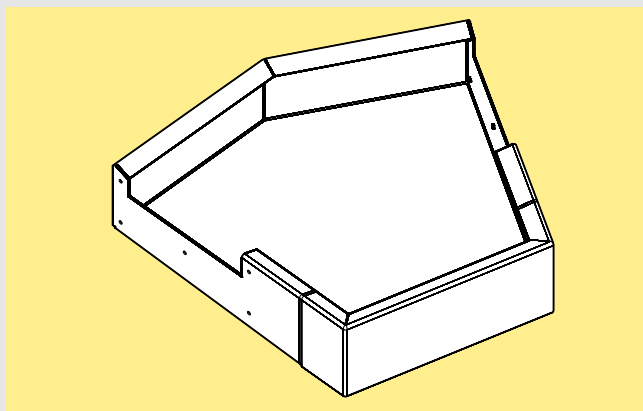
## Drip pan for wheel bends and vertical bends

**30° Drip pan assembly kit**



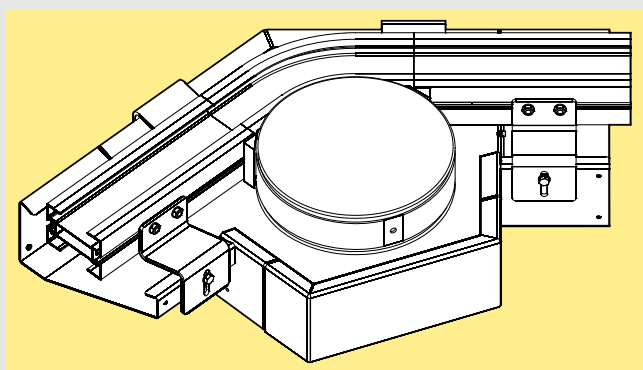
30° Drip pan assembly kit° **8042363**

**Drip pan for wheel bend 30°**



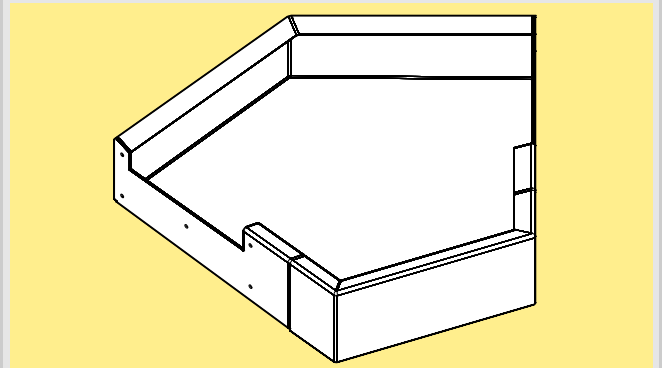
Drip pan for wheel bend 30° **8042209**

**45° Drip pan assembly kit**



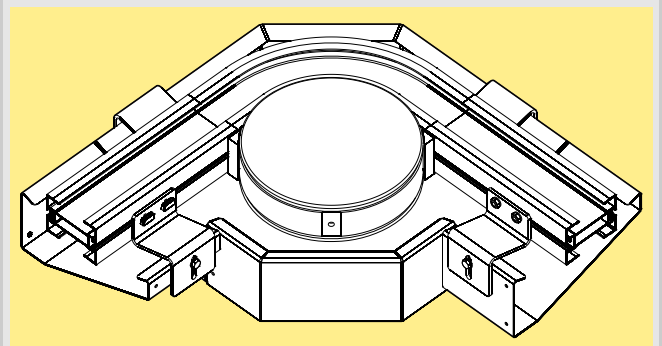
45° Drip pan assembly kit **8042364**

**Drip pan for wheel bend 45°**



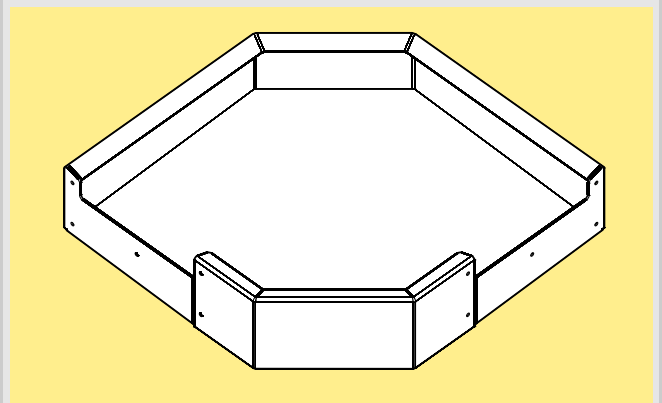
Drip pan for wheel bend 45° **8042212**

**90° Drip pan assembly kit**



90° Drip pan assembly kit **8042362**

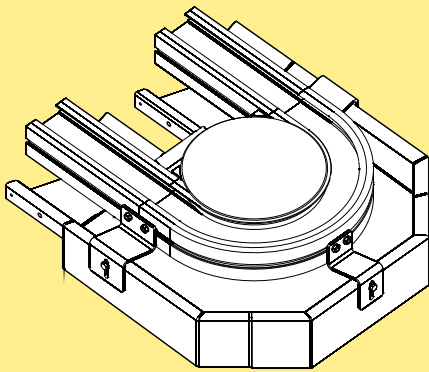
**Drip pan for wheel bend 90°**



Drip pan for wheel bend 90° **8042201**

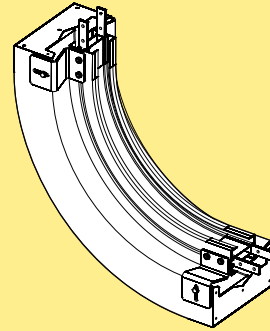
## Drip pan for wheel bends and vertical bends (continued)

### 180° Drip pan assembly kit



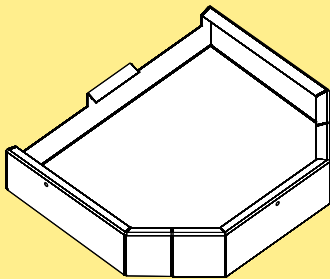
180° Drip pan assembly kit **8042359**

### Drip pan assembly kit vertical bend 90° (Outer)



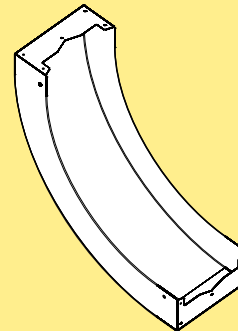
Drip pan assembly kit vertical bend 90° (outer) **8042360**

### Drip pan for wheel bend 180°



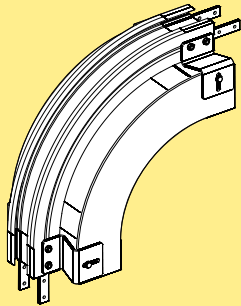
Drip pan for wheel bend 180° **8042214**

### Drip pan for vertical bend 90° (Outer)



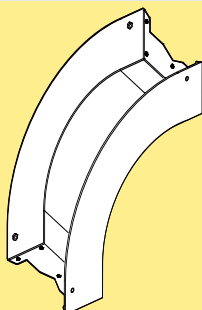
Drip pan for vertical bend 90° (outer) **8042232**

### Drip pan assembly kit vertical bend 90° (inner)



Drip pan assembly kit vertical bend 90° (inner) **8042361**

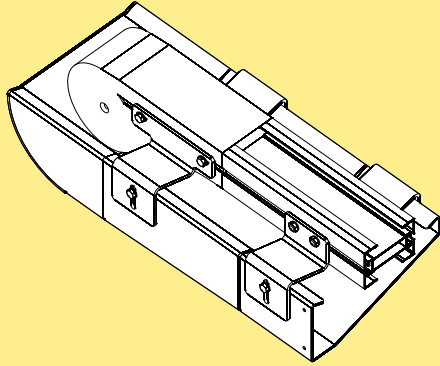
### Drip pan for vertical bend 90° (inner)



Drip pan for vertical bend 90° (inner) **8042238**

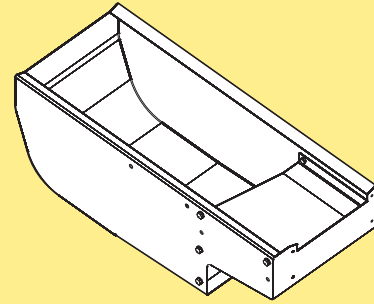
## Drip pan for idler unit, drive units

### Drip pan assembly kit idler unit



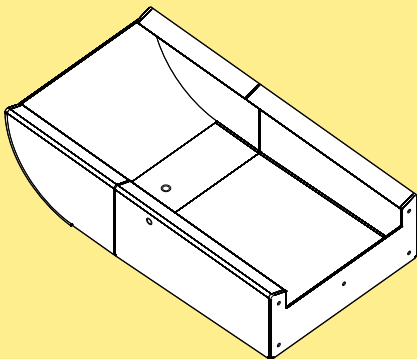
Drip pan assembly kit idler **8042365**

### End pan for drive unit LH



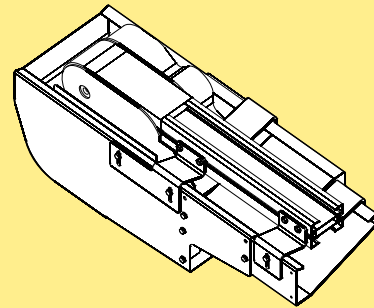
End pan for drive unit LH **8042357**

### End pan for idler unit



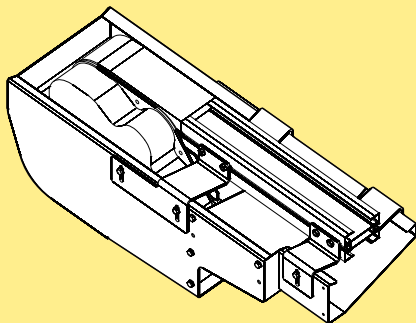
End pan for idler unit **8042221**

### Drip pan assembly kit drive unit RH



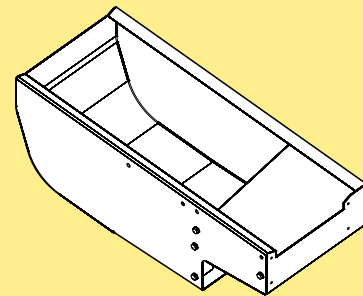
Drip pan assembly kit drive RH **8042367**

### Drip pan assembly kit drive unit LH



Drip pan assembly kit drive LH **8042366**

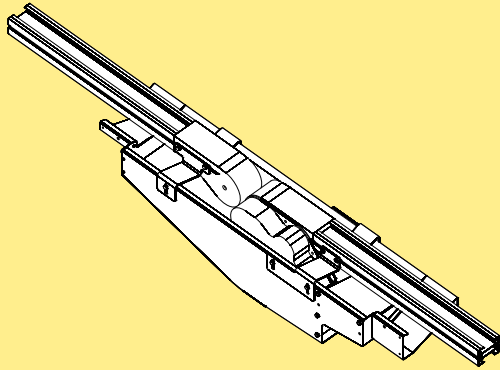
### End pan for drive unit RH



End pan for drive unit RH **8042358**

## Drip pan for idler unit, drive units (continued)

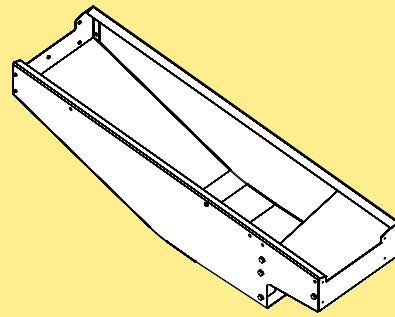
### Drip pan assembly kit drive LH - idler



Drip pan assembly kit drive LH - idler

**8042369**

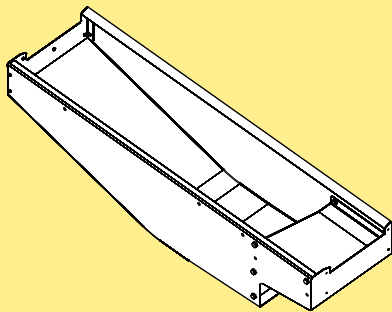
### End pan for drive unit - idler transfer (RH)



End pan for drive unit - idler transfer (RH)

**8042355**

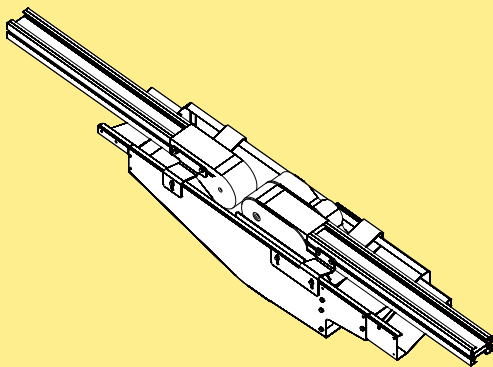
### End pan for drive unit - idler transfer (LH)



End pan for drive unit - idler transfer (LH)

**8042356**

### Drip pan assembly kit drive RH - idler

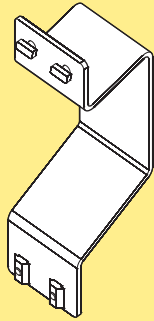


Drip pan assembly kit drive RH - idler

**8042368**

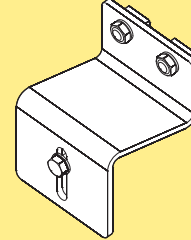
## Support brackets

### Support bracket drip tray



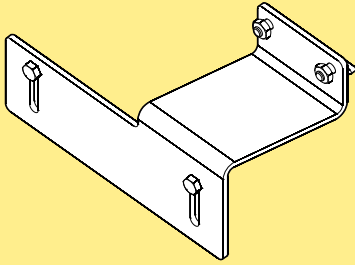
Support bracket drip tray (including fasteners) **8042373**

### Support bracket wheel bend



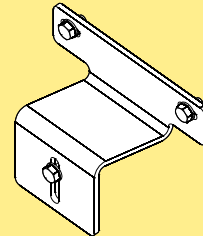
Support bracket wheel bend **8042374**

### Support bracket drip tray



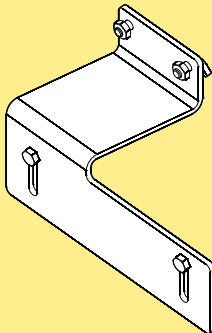
Support bracket drip tray (including fasteners) **8042379**

### Support bracket drip tray idler



Support bracket drip tray idler **8042376**

### Support bracket drip tray



Support bracket drip tray (including fasteners) **8042380**