

Support components Series X

Contents

Introduction	179	Support legs	184
Support system components, XLX	180	Example of support profiles	186
Support system components, X70X, X85X, X180X, X300X, WLX	181	Example of support profiles	187

Introduction



Introduction

The support used for the conveyor consists of a stainless steel tube, which is connected to the conveyor beam by means of a connector plate and beam support bracket.

A two- or three-point foot of glass-fibre reinforced polyamide complete with connecting elements is available for use with conveyor supports of all system widths. The foot has threaded bushings and spacers in nickel-plated brass.

The maximum adjusting height of the adjustable feet is 30 mm. Anti-slip pads can be fitted to the adjustable feet. Apart from increasing the friction if the feet are not bolted to the floor, these also reduce vibration.

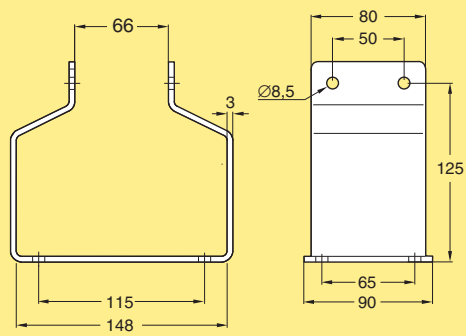
The components have also been evaluated and designed to reduce pinch points in order to improve personal safety.

Other support variants are available on request.

PO
XLX
X70X
X85X
X180X
X300X
WL
222X
WL
273X
WL
374X
WL
526X
WL
678X
CSX
GRX
FSTX
TR
APX
IDX

Support system components, XLX

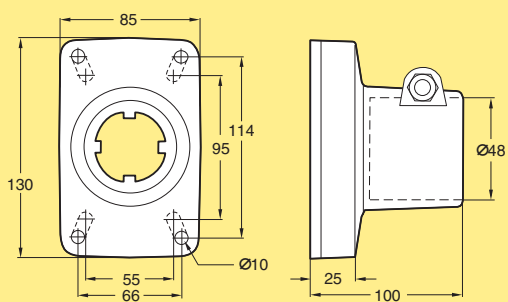
Beam support bracket, XL



Beam support bracket
Stainless steel

XLCTX 125

Connector plate



Connector plate
Reinforced polyamide

XCFC 48x85x130

Screws and nuts must be ordered separately

Beam support bracket X70X

Beam support bracket
Stainless steel

XLCSX A70 PB

Beam support bracket X70X

Beam support bracket, **straight beam** **XLCSX A70 B**
Stainless steel

Beam support bracket, **drive unit** **XLCSX A70 D**
Stainless steel

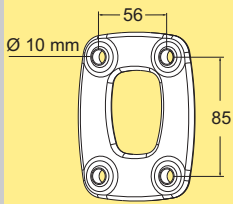
Beam support bracket X85X

Beam support bracket, **straight beam** **5114653**
Stainless steel

Beam support bracket, **drive unit** **5114999**
Stainless steel

- P0
- XLX
- X70X
- X85X
- X180X
- X300X
- WL 222X
- WL 273X
- WL 374X
- WL 526X
- WL 678X
- CSX
- GRX
- FSTX
- TR
- APX
- IDX

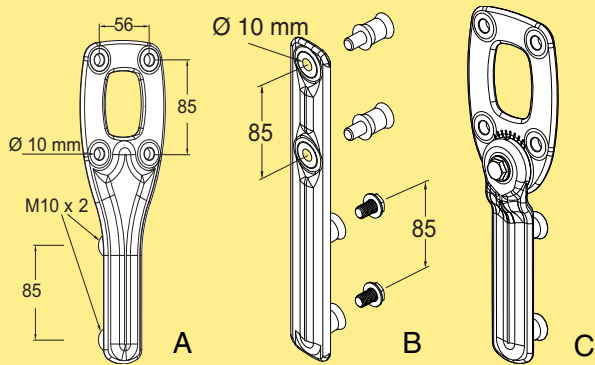
Connecting bracket



Connecting Bracket
For beam
Including M10 screws x4

WLCJX 10X56

Beam support brackets



Beam support bracket (A)
Including 6 pcs M10 screws

WLCSX 10X56

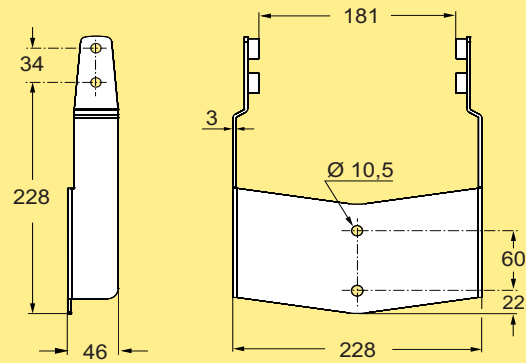
Beam support bracket (B)
Including 2 pcs M10 screws and
2 pcs spacer WLRDX M10X25

WLCSX 10

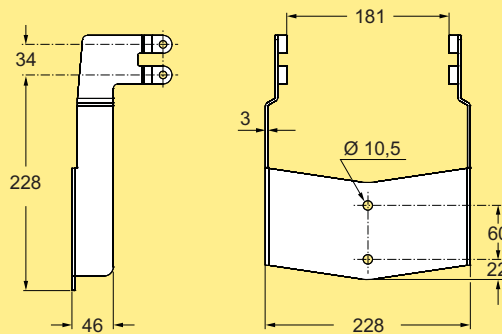
Beam support bracket (C)
Adjustable $\pm 40^\circ$

**WLCSX
10X56V40**

Beam support bracket X180X

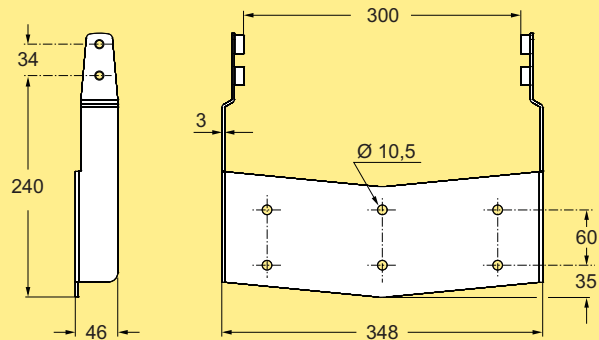


Beam support bracket, **straight beam 5114654**
Stainless steel

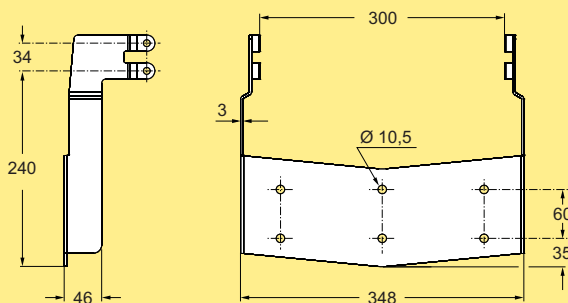


Beam support bracket, **drive unit 5115001**
Stainless steel

Beam support bracket X300X

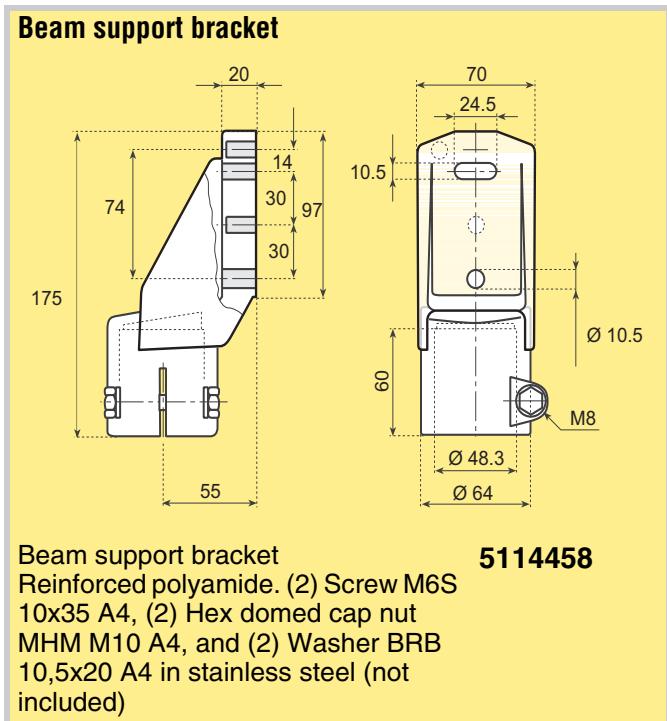
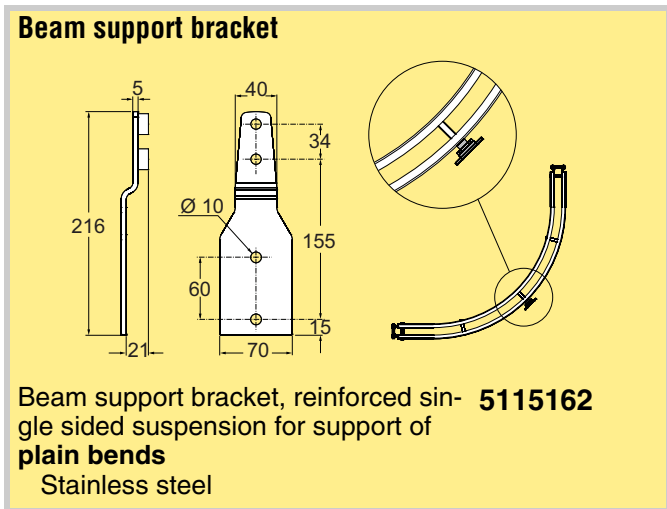
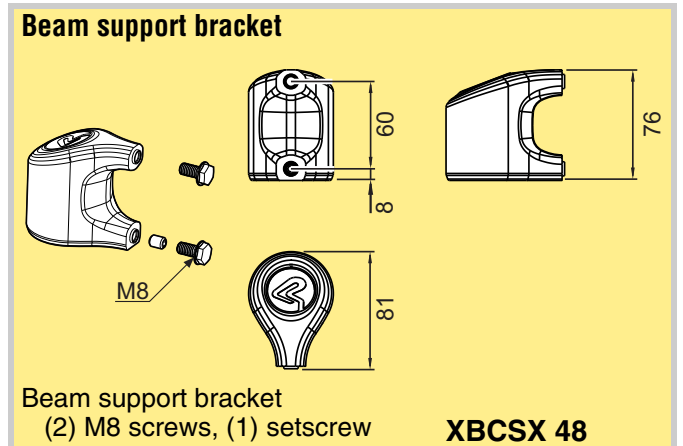
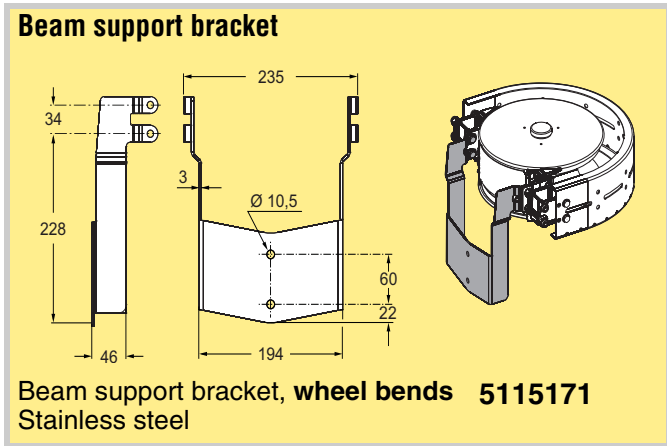


Beam support bracket, **straight beam 5114655**
Stainless steel



Beam support bracket, **drive unit 5114998**
Stainless steel

Support system components, X70X, X85X, X180X, X300X (continued)

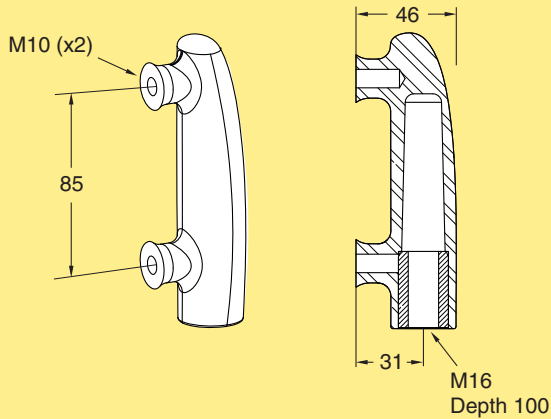


For mounting hardware, see chapter Fasternes (FSTX)

P0
XLX
X70X
X85X
X180X
X300X
WL 222X
WL 273X
WL 374X
WL 526X
WL 678X
CSX
GRX
FSTX
TR
APX
IDX

Support legs

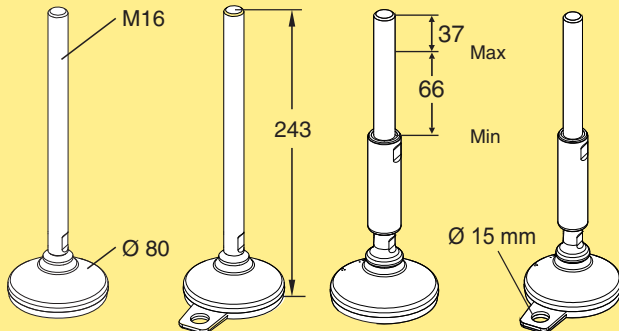
Connector for adjustable foot



Connector
Connector
Incl. two screws

XCFCX 16x100

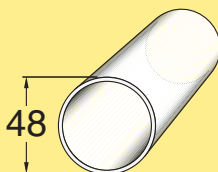
Adjustable foot



Adjustable foot
M16
M16, Anchoring
M16, EHEDG/3A
M16, Anchoring, EHEDG/3A

XCFSX 16x80
XCFSX 16x80 A
XCFSX 16x80 H
XCFSX 16x80 HA

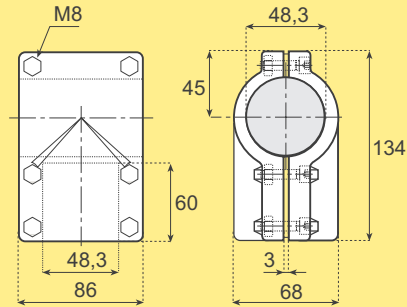
Support profile



Support profile
Stainless steel
Length 3000 mm +50 -10 mm
Length to order

XCBMX 3x48
XCBMX Lx48

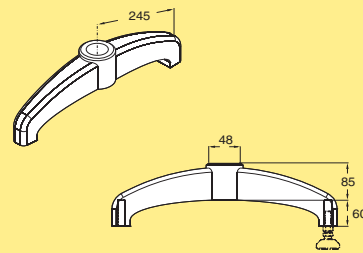
T-connector



T-connector
Reinforced polyamide, screws
and nuts in stainless steel

5114962

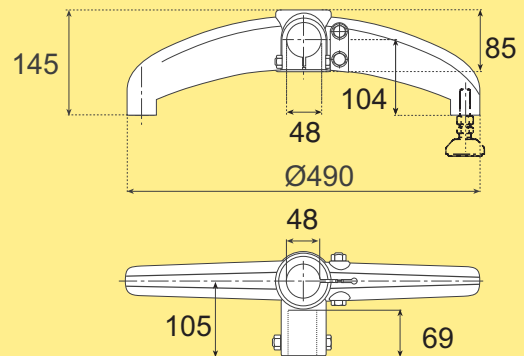
Polyamide foot, 2-point



Two-point foot
Reinforced polyamide
Threaded bushings and spacers in
nickel plated brass
(Adjustable foot XCFS 16x60x115 not
included)

XCFG 48 D

Polyamide foot, 2-point with joint

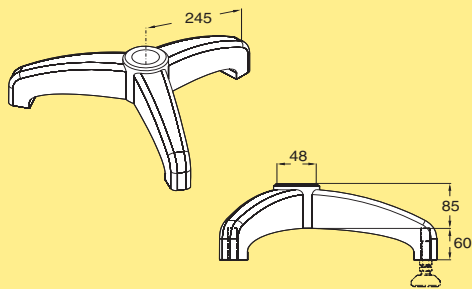


Two-point foot
Reinforced polyamide
Threaded bushings and spacers in
nickel plated brass
(Adjustable foot XCFS 16x60x115 not
included)

XCFG 48 DJ

Support legs (continued)

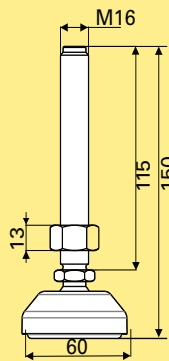
Polyamide foot, 3-point



Three-point foot
Reinforced polyamide
Threaded bushings and spacers in
nickel plated brass
*(Adjustable foot XCFS 16x60x115 not
included)*

XCFG 48 T

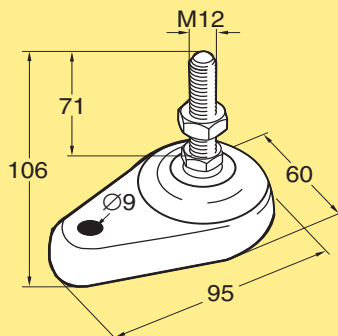
Polyamide foot, adjustable



Adjustable foot
Stainless steel
M16 thread
*Including nut
Maximum vertical load 12000 N*

XCFS 16x60x115

Adjustable foot, polyamide, M12



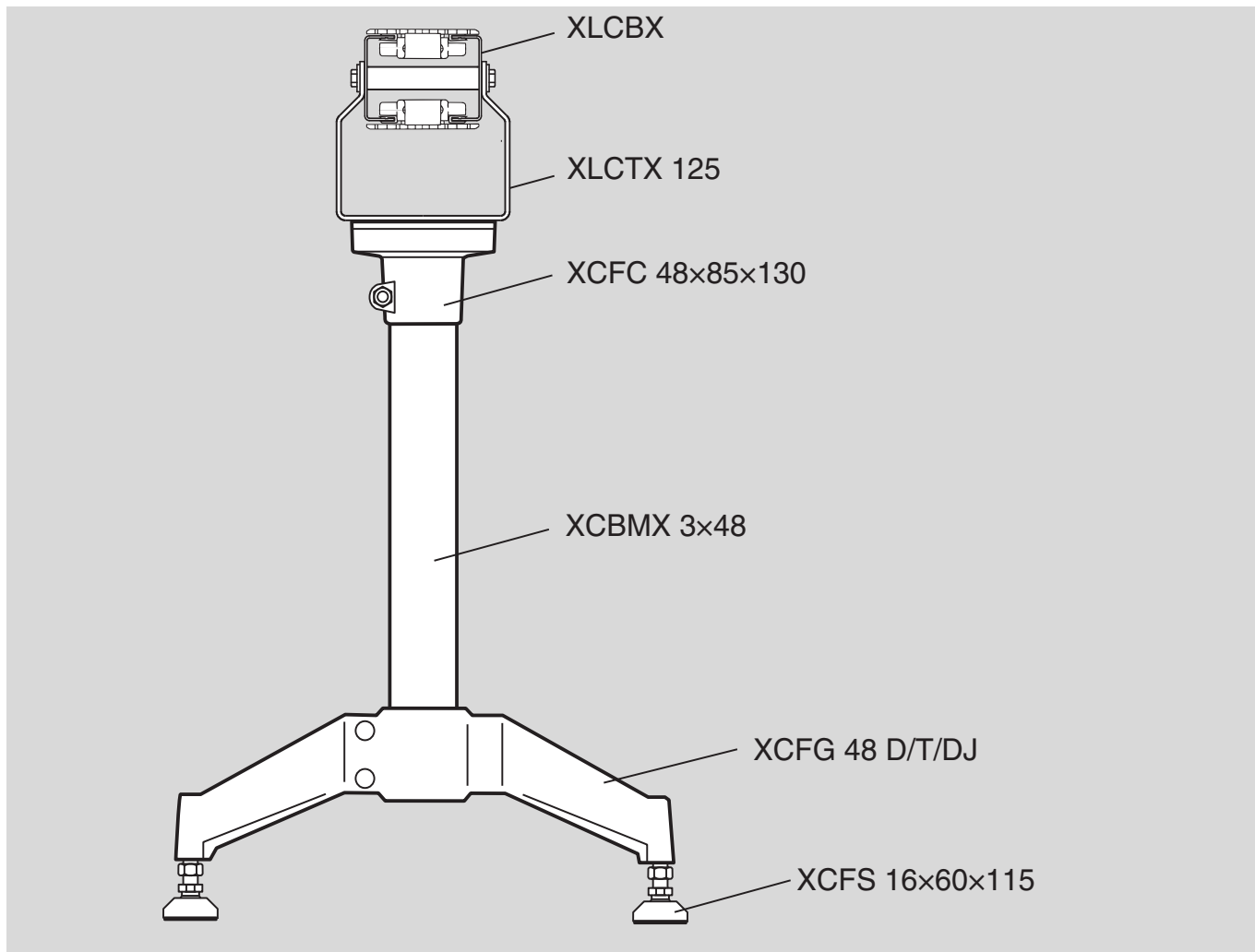
Adjustable foot
PA + steel, electro-zinc-plated
M12 thread
Including nut. Maximum vertical load 15000 N

XCFS 12x60x71

P0
XLX
X70X
X85X
X180X
X300X
WL
222X
WL
273X
WL
374X
WL
526X
WL
678X
CSX
GRX
FSTX
TR
APX
IDX

Example of support profiles

Example of support profile, XLX



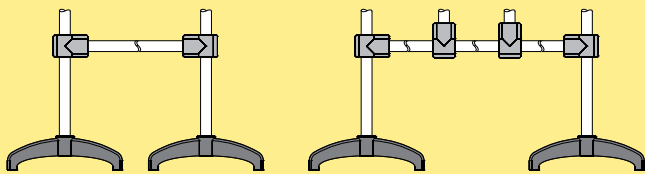
Ordering information

Screws, nuts and brackets must be ordered separately for the following components:

Example of support profiles

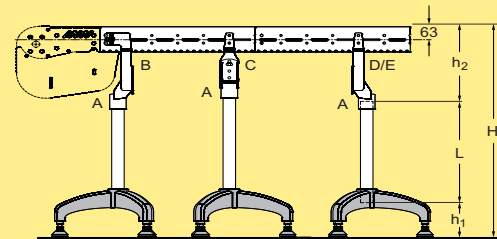
Designation	Attachment to	Mounting hardware required	Qty
Beam XLCBX	XLCTX 125	M6S 8x20 A4 XLANX 8 BRB 8,4x16 A4	4 4 4+4
XLCTX 125	XCFC 48x85x130	ISO 4014 M8x40 A4 BRB 8,4x16 A4 ISO 4032 M8 A4	4 4 4
XCFC 48x85x130	XCBM 3x48	Fasteners are included	
XCBM 3x48	XCFG 48D/T	Fasteners are included	
XCFG 48D/T	XCFS 16x60x115	Fasteners are included	

Example of support profile configuration



Support profile XCBMX Lx48, T-connector 5114962 and Polyamide feet

Support profile length



A	B	C	D	E
5114458	5114999	5115162	5114653	5115171
	5115001		5114654	
	5114998		5114655	

The beam length required to obtain a specific conveyor height H depends on the conveyor size, foot type and beam support bracket. See figure. In the following formula H represents the height from the floor to the top of a standard plain chain. Most support combinations permit height adjustment both at the foot and at the beam support bracket.

$$L = H - h_1 - h_2$$

Net height of foot h_1

Foot type	h_1 min - max mm
XCFG 48 D+XCFS 16x60x115	145 - 196
XCFG 48 DJ+XCFS 16x60x115	145 - 196
XCFG 48 T+XCFS 16x60x115	145 - 196

Height h_2

Beam	Bracket type	h_2 mm (TOC*)
85x113 mm	A+B	314
85x113 mm	A+C	263
85x113 mm	A+D	314
85x113 mm	A+E	314

*Top of a plain chain, 4 mm+ Slide rail 2,5 mm

Ordering information

Profiles are available in standard lengths of 3 m or other lengths cut to order.

P0

XLX

X70X

X85X

X180X

X300X

WL

222X

WL

273X

WL

374X

WL

526X

WL

678X

CSX

GRX

FSTX

TR

APX

IDX

