

Guide rail components Series X

Contents

Introduction	133	Configuration example, X85X, X180X, X300X	138
Guide rail brackets, XLX	134	Guide rail components WL374X, WL526X, WL678X.....	141
Guide rail brackets, XLX	135	Guide rail components, Common items	142
Guide rail components, X85X, X180X, X300X	137		

Introduction



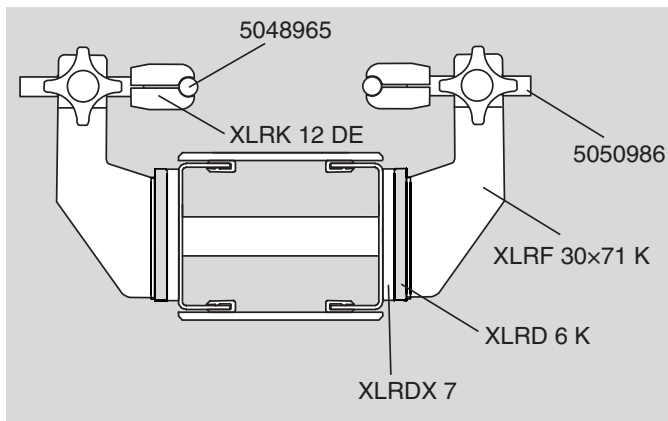
Components from the standard assortment

The adjustable guide rail brackets include components for construction of a wide variety of guide rail configurations. The illustrations show three possible configurations containing a number of standard FlexLink's guide rail components. See catalogue section *Guide rail components* for further information about these, including calculation of track width.

- PO
- XLX
- X85X
- X180X
- X300X
- WL 374X
- WL 526X
- WL 678X
- CSX
- GRX**
- FSTX
- TR
- APX
- IDX

Guide rail brackets, XLX

Guide rail configuration A



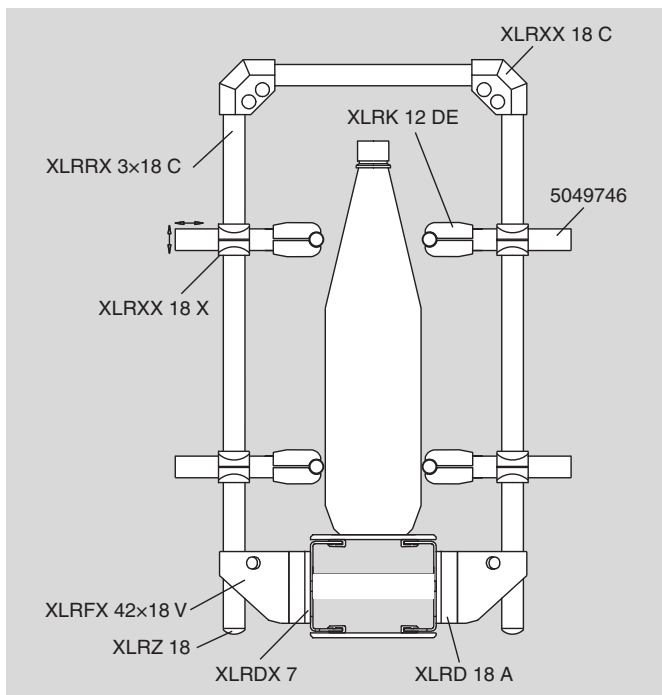
Materials

Except where otherwise noted, the guide rail bracket components are made of glass-fibre reinforced polyamide.

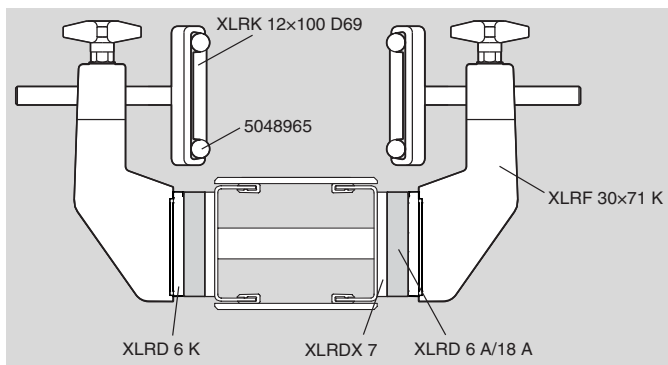
Ordering information

If guide rail bracket support XLRFX 42x18 V or distance piece XLRD 6 A/18 A is used, one guide rail bracket connector XLRDX 7 is required per support for connection to the conveyor beam.

Guide rail configuration B

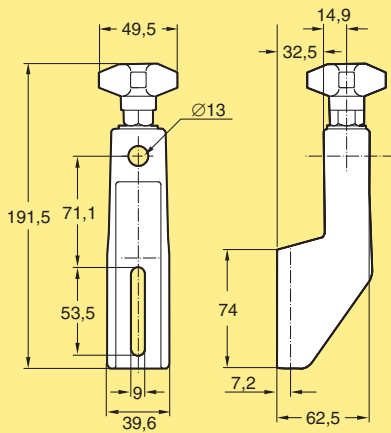


Guide rail configuration C



Guide rail brackets, XLX

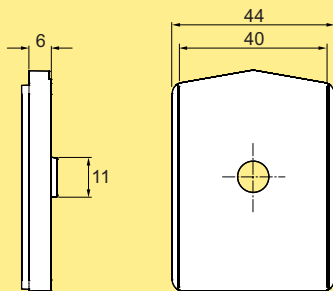
Guide rail bracket support Type K



Adjustable guide rail bracket kit **XLRF 30x71 K**

Mounting: M6S 8x20 A4 (1), XLANX 8 (1), BRB 8,4x24 A4 (1).

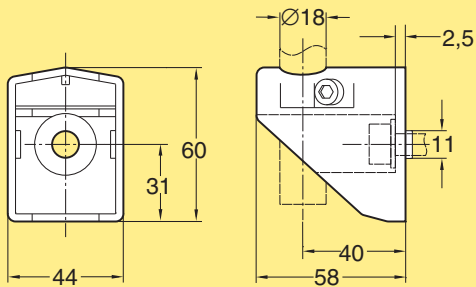
Spacer for guide rail bracket support Type K



Distance piece Type K **XLRD 6 K**

Use with guide rail bracket support XLRF 30x71 K
Note. Must be ordered in multiples of 10

Guide rail bracket support Type V



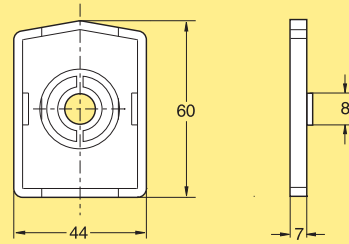
Guide rail bracket support **XLRFX 42x18 V**

For use with guide rail clamp XLRLX 18x... CA or guide rail support tube XLRRX 3x18 C.

Including screw and nut in stainless steel
Mounting: M6S 8x25 A4 (1), XLANX 8 (1), BRB 8,4x16 A4 (1).

Don't exceed max torque: M8=10 Nm, M6=5 Nm, M5= 3 Nm.

Guide rail bracket connector

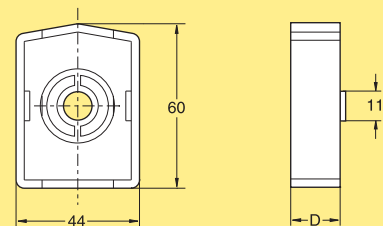


Guide rail bracket connector **XLRDX 7**

For use with guide rail bracket support XLRF 42x18 V and distance piece XLRD 6 A/18 A

Note. Must be ordered in multiples of 10

Spacers for guide rail bracket support Type A



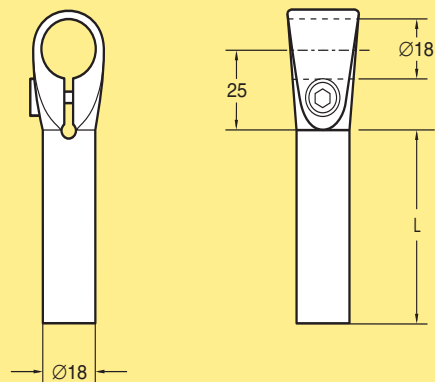
Distance piece Type A

D=6 mm
D=18 mm

XLRD 6 A
XLRD 18 A

Use with guide rail bracket support XLRFX 42x18 V.
Note. Must be ordered in multiples of 10

Guide rail clamp support Type CA



Guide rail clamp support

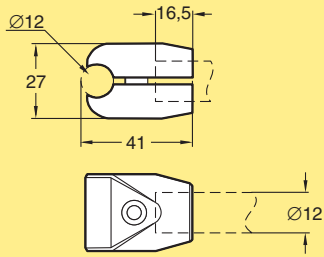
L=60 mm
L=110 mm
L=160 mm

XLRLX 18x60 CA
XLRLX 18x110 CA
XLRLX 18x160 CA

Including stainless screw and nut. For use with XLRKX 42x18 V and XLRK 18x50 D69

Don't exceed max torque: M8=10 Nm, M6=5 Nm, M5= 3 Nm.

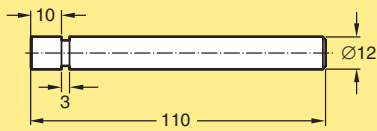
Guide rail clamp 5



Guide rail clamp **XLRK 12 DE**

Including stainless steel screw and nut. For use with 12 mm guide rail clamp rod 5051168 or 5050986. Suitable guide rail type: 12 mm steel rod type 5048965.

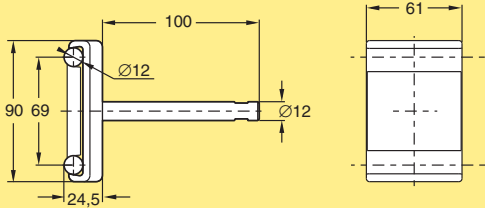
Guide rail clamp rod 12 mm



Guide rail clamp rod
Stainless steel **5050986**

Use with XLRK 12 DE and XLRF 30x71 K

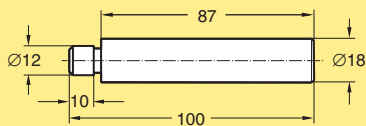
Guide rail clamp, double



Guide rail clamp, double **XLRK 12x100 D69**

Including stainless steel rod, screw and nut. Suitable guide rail type: 12 mm steel rod type 5048965. For use with bracket support XLRF 30x71 K

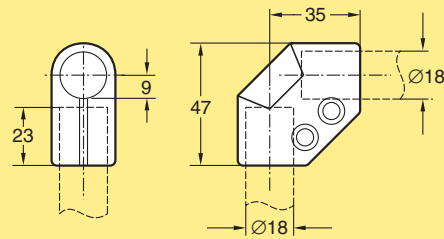
Guide rail clamp rod, 18 mm



Guide rail clamp rod
Stainless steel **5049746**

Use with XLRX 18 X, XLRXX 3x18 C, XLRK 12 DE and XLRF 42x18 VVD

Corner connector

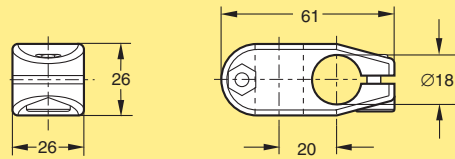


Corner connector **XLRXX 18 C**

Including stainless screws and nuts.

Don't exceed max torque: M8=10 Nm, M6=5 Nm, M5= 3 Nm.

Cross connector

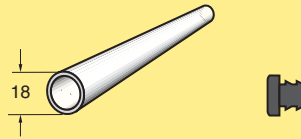


Cross connector **XLRXX 18 X**

Including stainless screws and nuts.

Don't exceed max torque: M8=10 Nm, M6=5 Nm, M5= 3 Nm.

Guide rail support tube

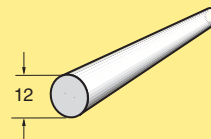


Guide rail support tube
Stainless steel
Length 3 m **XLRRX 3x18 C**

End cap **XLZR 18***

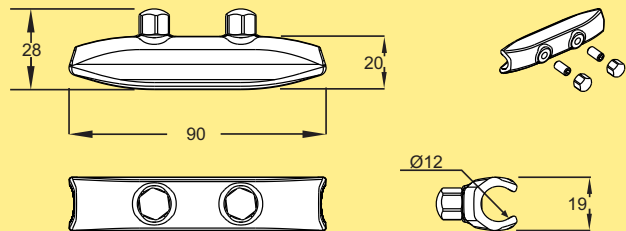
*Note. Must be ordered in multiples of 10

Steel rod 12 mm



Stainless steel rod 12 mm
Length 3 m **5048965**

Connecting sleeve



Connecting sleeve **XBRJX 12x90**

Including stainless screws and nuts.

Introduction



Components from the standard assortment

The guide rail system includes guide rails, brackets and other components for design of a wide variety of configurations to optimize the solution for the products handled. Some products also include stand off spacers for easy cleaning.

The components have also been evaluated and designed to reduce pinch points in order to improve personal safety.

Other variants of components are available on request.

Materials

Except where otherwise noted, the guide rail bracket components are made of glass-fibre reinforced polyamide.

PO

XLX

X85X

X180X

X300X

WL
374X

WL
526X

WL
678X

CSX

GRX

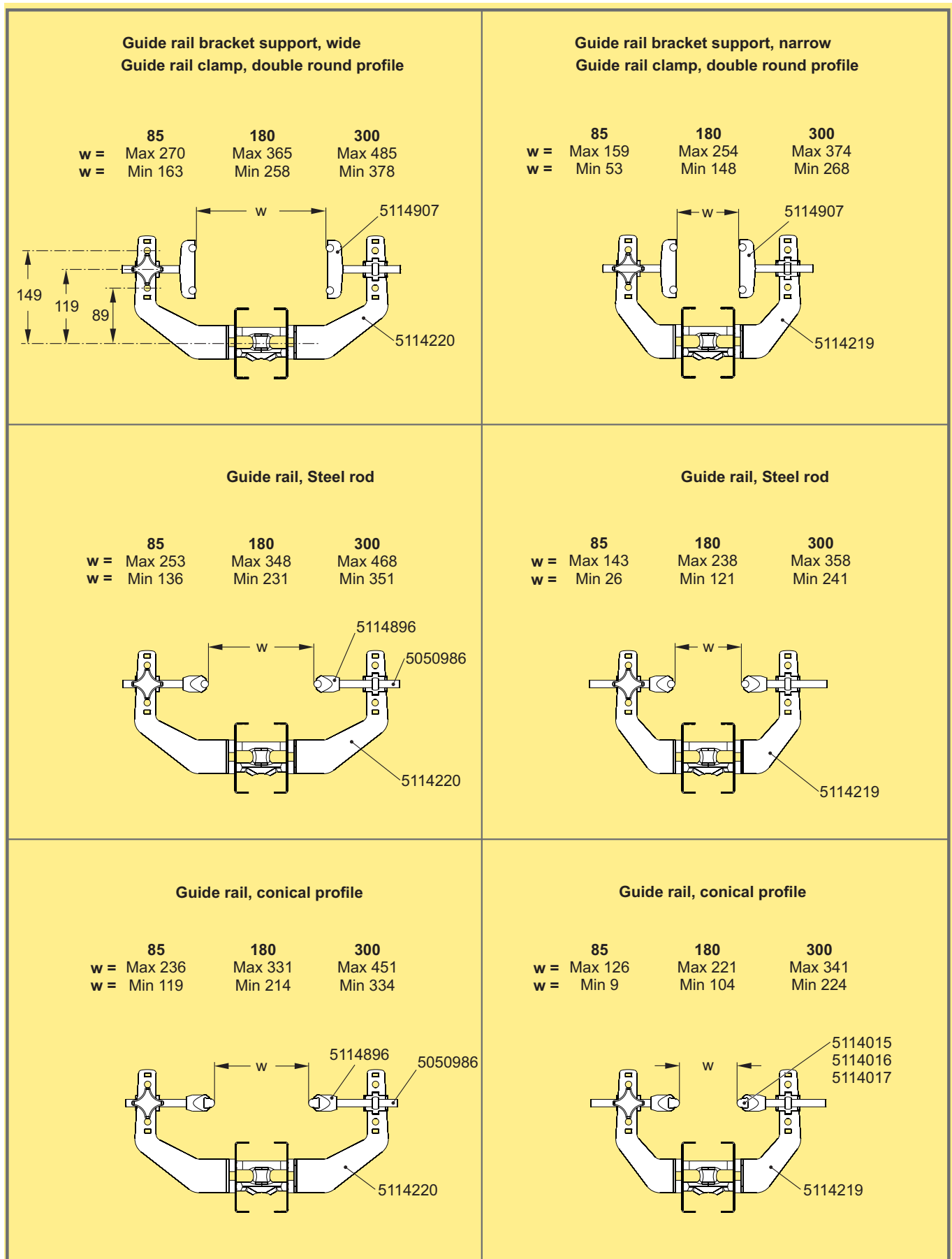
FSTX

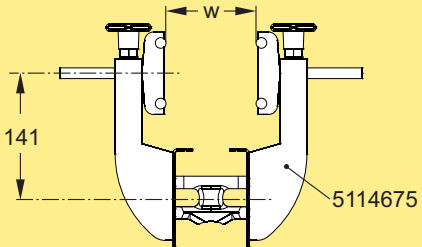
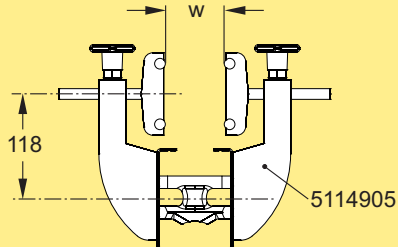
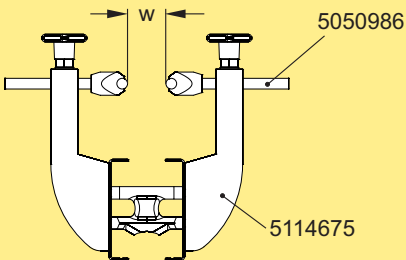
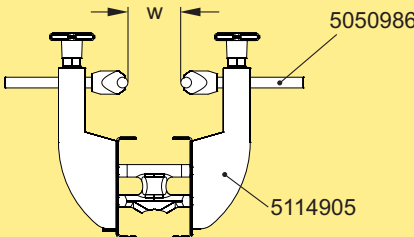
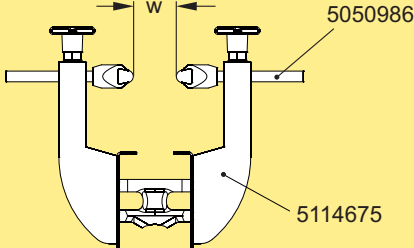
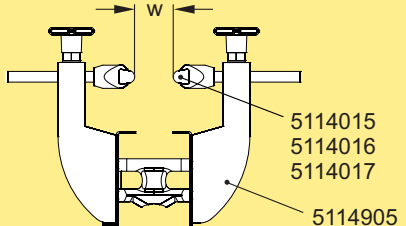
TR

APX

IDX

Configuration example, X85X, X180X, X300X

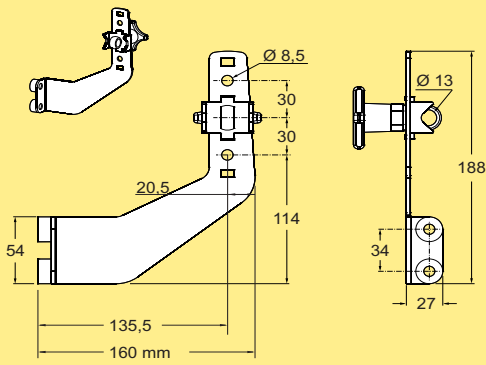


<p>Guide rail bracket support, high Guide rail clamp, double round profile</p> <table border="0"> <tr> <td>85</td> <td>180</td> <td>300</td> </tr> <tr> <td>w = Max 105</td> <td>Max 200</td> <td>Max 320</td> </tr> <tr> <td>w = Min 0</td> <td>Min 95</td> <td>Min 215</td> </tr> </table> 	85	180	300	w = Max 105	Max 200	Max 320	w = Min 0	Min 95	Min 215	<p>Guide rail bracket support, low Guide rail clamp, double round profile</p> <table border="0"> <tr> <td>85</td> <td>180</td> <td>300</td> </tr> <tr> <td>w = Max 105</td> <td>Max 200</td> <td>Max 320</td> </tr> <tr> <td>w = Min 0</td> <td>Min 95</td> <td>Min 215</td> </tr> </table> 	85	180	300	w = Max 105	Max 200	Max 320	w = Min 0	Min 95	Min 215
85	180	300																	
w = Max 105	Max 200	Max 320																	
w = Min 0	Min 95	Min 215																	
85	180	300																	
w = Max 105	Max 200	Max 320																	
w = Min 0	Min 95	Min 215																	
<p>Guide rail, Steel rod</p> <table border="0"> <tr> <td>85</td> <td>180</td> <td>300</td> </tr> <tr> <td>w = Max 80</td> <td>Max 175</td> <td>Max 296</td> </tr> <tr> <td>w = Min 0</td> <td>Min 95</td> <td>Min 215</td> </tr> </table> 	85	180	300	w = Max 80	Max 175	Max 296	w = Min 0	Min 95	Min 215	<p>Guide rail, Steel rod</p> <table border="0"> <tr> <td>85</td> <td>180</td> <td>300</td> </tr> <tr> <td>w = Max 80</td> <td>Max 175</td> <td>Max 296</td> </tr> <tr> <td>w = Min 0</td> <td>Min 95</td> <td>Min 215</td> </tr> </table> 	85	180	300	w = Max 80	Max 175	Max 296	w = Min 0	Min 95	Min 215
85	180	300																	
w = Max 80	Max 175	Max 296																	
w = Min 0	Min 95	Min 215																	
85	180	300																	
w = Max 80	Max 175	Max 296																	
w = Min 0	Min 95	Min 215																	
<p>Guide rail, conical profile</p> <table border="0"> <tr> <td>85</td> <td>180</td> <td>300</td> </tr> <tr> <td>w = Max 80</td> <td>Max 175</td> <td>Max 296</td> </tr> <tr> <td>w = Min 0</td> <td>Min 95</td> <td>Min 215</td> </tr> </table> 	85	180	300	w = Max 80	Max 175	Max 296	w = Min 0	Min 95	Min 215	<p>Guide rail, conical profile</p> <table border="0"> <tr> <td>85</td> <td>180</td> <td>300</td> </tr> <tr> <td>w = Max 80</td> <td>Max 175</td> <td>Max 296</td> </tr> <tr> <td>w = Min 0</td> <td>Min 95</td> <td>Min 215</td> </tr> </table> 	85	180	300	w = Max 80	Max 175	Max 296	w = Min 0	Min 95	Min 215
85	180	300																	
w = Max 80	Max 175	Max 296																	
w = Min 0	Min 95	Min 215																	
85	180	300																	
w = Max 80	Max 175	Max 296																	
w = Min 0	Min 95	Min 215																	

PO
XLX
X85X
X180X
X300X
WL
374X
WL
526X
WL
678X
CSX
GRX
FSTX
TR
APX
IDX

Guide rail components, X85X, X180X, X300X

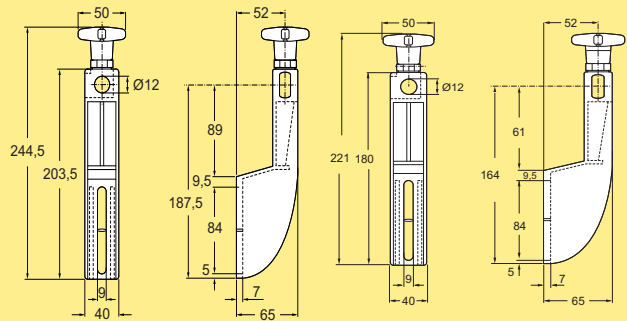
Guide rail bracket support, wide



Guide rail bracket support

5114220

Guide rail bracket supports, high and low



5114675

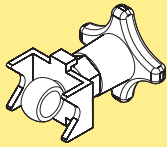
Guide rail bracket support

5114905

Guide rail bracket support

Reinforced polyamide, eyebolt and washer in stainless steel, knob in polyamide with nickel plated brass insert.

Guide rail clamp support (spare part)

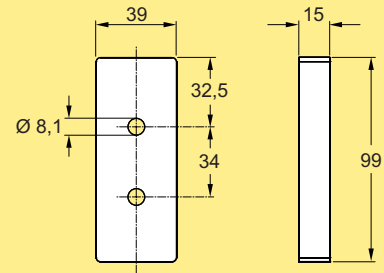
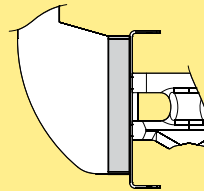


Rod mount
Stainless steel (Knob: PA)

XBRLX 12

Spare part for guide rail bracket support 5114219 and 5114220

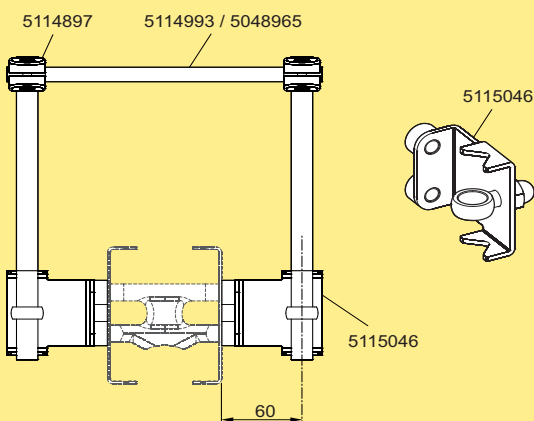
Spacer



Distance piece

5114970

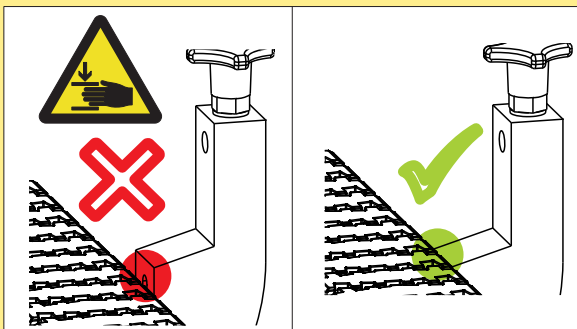
Guide rail bracket support



Guide rail bracket support

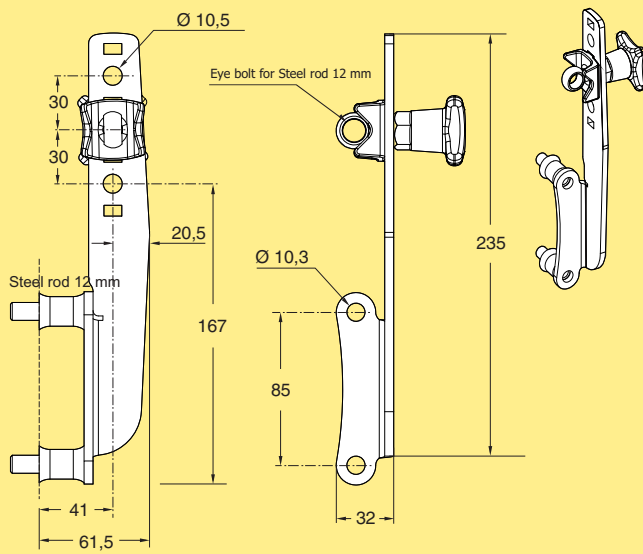
5115046

Mounting instruction, Guide rail bracket support

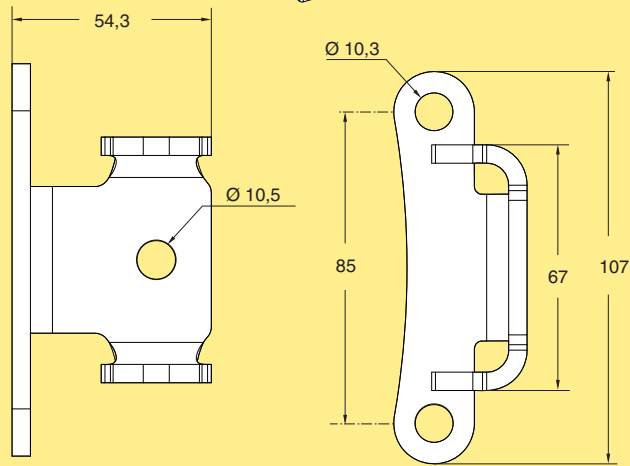
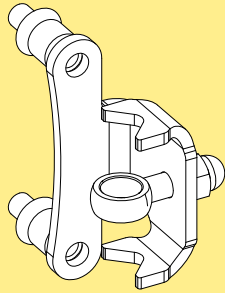


Guide rail components WL374X, WL526X, WL678X

Guide rail bracket support kit

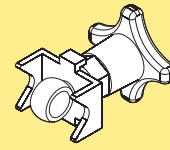


Guide rail bracket support kit **5118806**



Guide rail bracket support kit **5118807**

Guide rail clamp support (spare part)



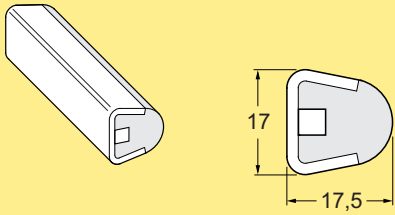
Rod mount
Stainless steel (Knob: PA) **XBRLX 12**
Spare part for guide rail bracket support 5114219 and 5114220



- PO
- XLX
- X85X
- X180X
- X300X
- WL 374X
- WL 526X
- WL 678X
- CSX
- GRX**
- FSTX
- TR
- APX
- IDX

Guide rail components, Common items

Guide rail, conical profile, rounded

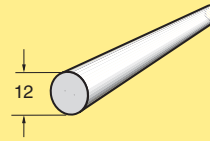


Guide rail
Length 3 m

5114015

Extruded ultra high molecular weight polyethylene (PE, white).

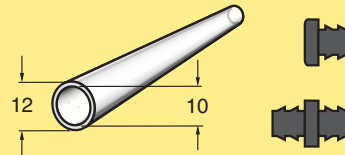
Steel rod 12 mm



Stainless steel rod 12 mm
Length 3 m

5048965

Steel tube 12 mm (guide rail)



Straight steel tube 12 mm
Stainless steel
Length 3 m

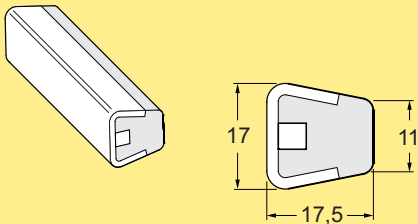
5054952

End plug
Connecting plugs (10 pcs)

XLRZ 12*
5056685

**Note. Must be ordered in multiples of 50*

Guide rail, conical profile, flat

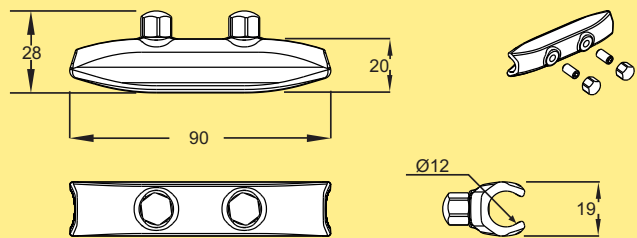


Guide rail
Length 3 m

5114016

Extruded ultra high molecular weight polyethylene (PE, white).

Connecting sleeve

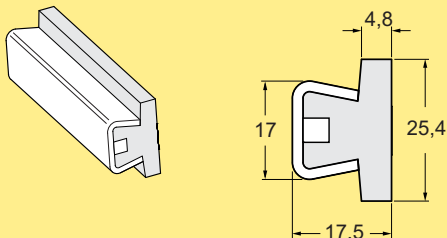


Connecting sleeve

XBRJX 12x90

Including stainless screws and nuts.

Guide rail, conical profile, flat 25

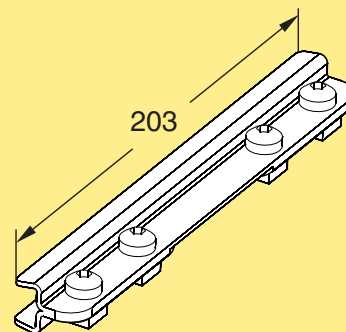


Guide rail
Length 3 m

5114017

Extruded ultra high molecular weight polyethylene (PE, white).

Connecting sleeve, conical profile

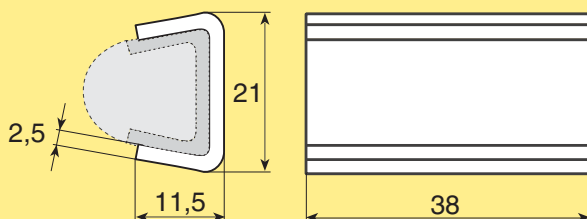


Connecting sleeve
Stainless steel

5114957

Allows one rail to slide within the clamp while the other remains fixed.

Connecting sleeve



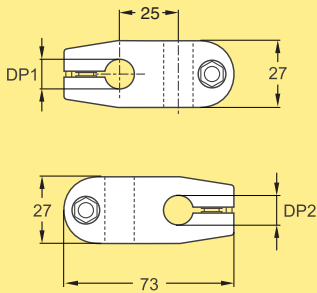
Connecting sleeve
Stainless steel

5114959

To connect two guide rails. The part can be tapped on with a hammer.

Guide rail components, Common items (continued)

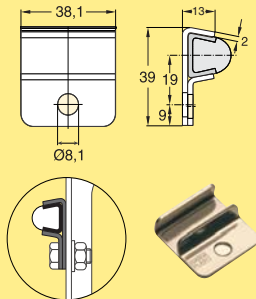
Cross connector



Cross connector DP1=12 DP2=12 **5114461**
 Cross connector DP1=12 DP2=16 **5114897**
 Material: acetal resin with stainless steel fasteners.

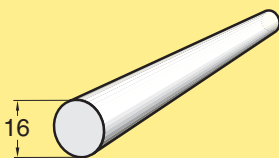
Connects two round rods at 90°

Guide rail clamp for conical profiles



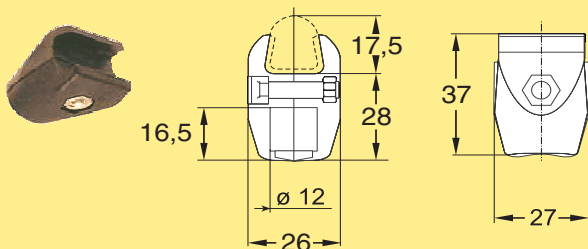
Guide rail clamp support, Stainless steel **5114020**
 M8 screw (not included)

Steel rod 16 mm



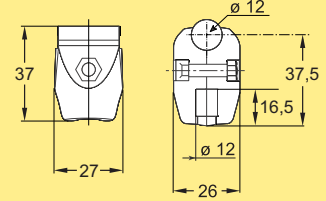
Straight steel rod 16 mm
 Stainless steel
 Length 3 m **5114993**

Guide rail clamp, conical profile



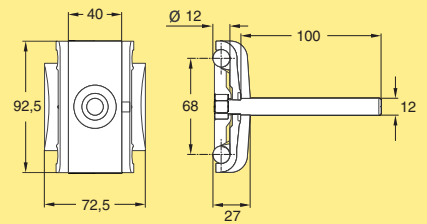
Guide rail **5114896**
 Clamp in reinforced polyamide, bolt in stainless steel, nut in nickel plated brass.

Guide rail clamp, round profile



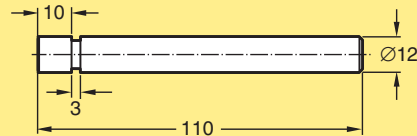
Guide rail **5114960**
 Clamp in reinforced polyamide, bolt in stainless steel, nut in nickel plated brass.

Guide rail clamp, double round profile



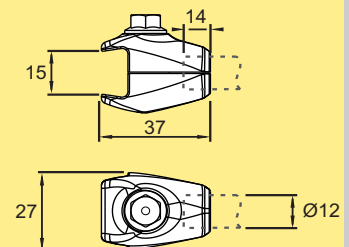
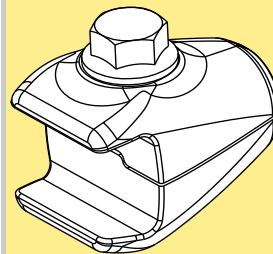
Guide rail **5114907**
 Clamp in reinforced polyamide, nut and rod in stainless steel.

Guide rail clamp rod, plain, 12 mm



Guide rail clamp rod, plain
 Stainless steel **5050986**
 For use with guide rail clamp 5114896 or 5114960

Guide rail clamp, conical rail



Guide rail **XBRKX 12 CE**
 Clamp and hardware in stainless steel.

PO

XLX

X85X

X180X

X300X

WL

374X

WL

526X

WL

678X

CSX

GRX

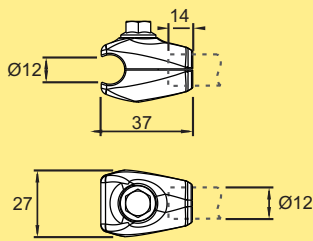
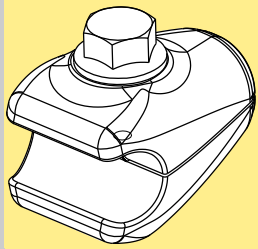
FSTX

TR

APX

IDX

Guide rail clamp, round rail



Guide rail

XBRKX 12 DE

Clamp and hardware in stainless steel.