
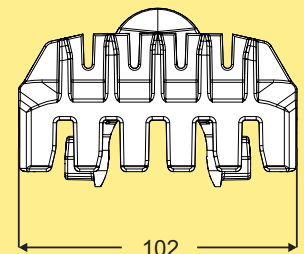
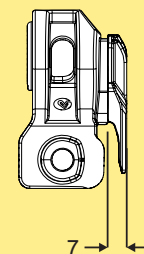


# Conveyor system XK - links and chains

Each link kit contains 10 links, 10 plastic pivots, and 10 stainless steel pins, unless otherwise specified.


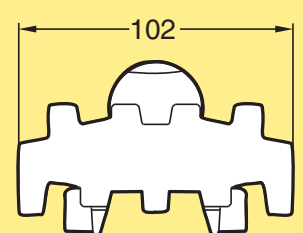
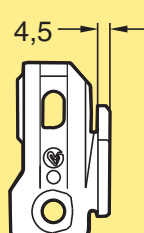
Material abbreviations: See page III.

## Plain chain

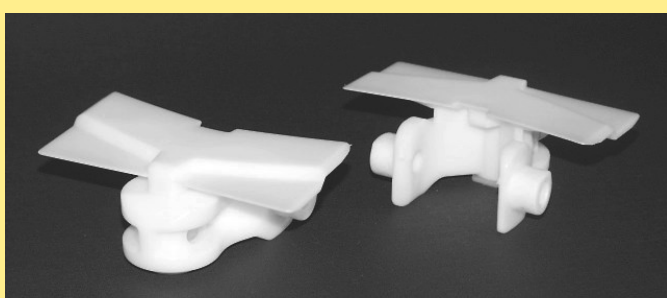
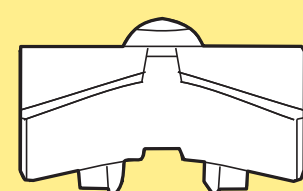
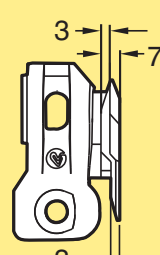
Chain	Link(s)	Link kit(s)	Dimensions	Link weight	Material, link	Material, pivot
XKTP 5 K	FLX1002427	FLX1003736		57 g	POM B	See page III

## Plain chain

Chain	Link(s)	Link kit(s)	Dimensions	Link weight	Material, link	Material, pivot
XKTP 5	XKTL 102	5056639		57 g	POM B	See page III
XKTP 5 C	5110826	n.a.			POM D	See page III
3927151	3927153	5056640			POM B GY	See page III

## Closed-top chain

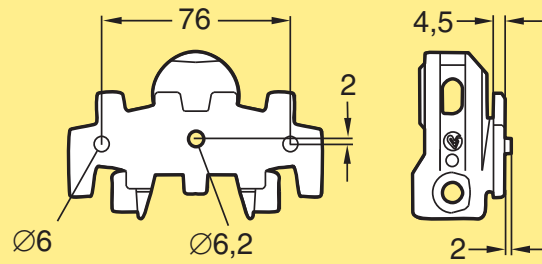
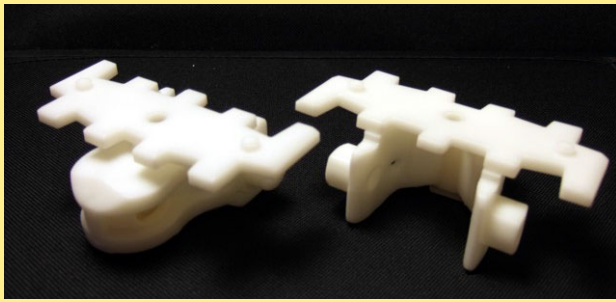




Plain chain, close-fitting, non-fingered design. Note: This chain is not a direct replacement for the standard XKTP 5 in all applications.

Chain	Link(s)	Link kit(s)	Dimensions	Link weight	Material, link	Material, pivot
XKTP 5 A	XKTL 102 A	5056641		60 g	POM B	See page III
5116328	5116329	n.a.		60 g	POM B GY	See page III

Introduction  
X45  
X45H  
XS  
XL  
X65  
XM  
X70X  
X85  
X85X  
XH  
XK  
X180  
X180X  
X300  
X300X  
XT  
XTC  
WK  
WL  
WL222X  
WL273X  
WL374X  
WL526X  
WL678X  
IDX

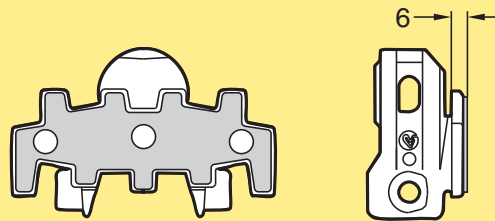
## Universal chain



To attach customer specific cleat or fixture.

Chain	Link(s)	Link kit(s)	Dimensions	Link weight	Material, link	Material, pivot
XKTF 5 U...	XKTL 102 U	5056642		58 g	POM B	See page III

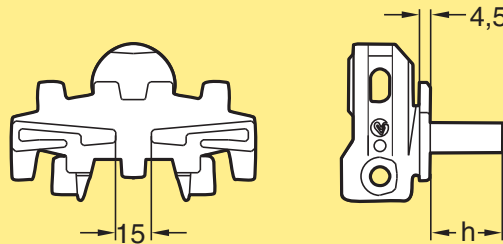
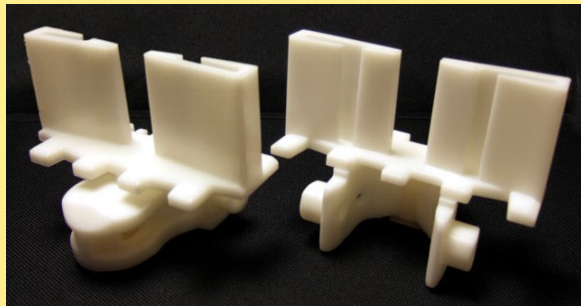
## Steel top chain, fingered



Top surface is stainless steel. Cast-metal products. Accumulation.

Chain	Link(s)	Link kit(s)	Dimensions	Link weight	Material, link	Material, pivot
XKTP 5 TF	XKTL 102 TF	5056644		85 g	POM B + SS	See page III

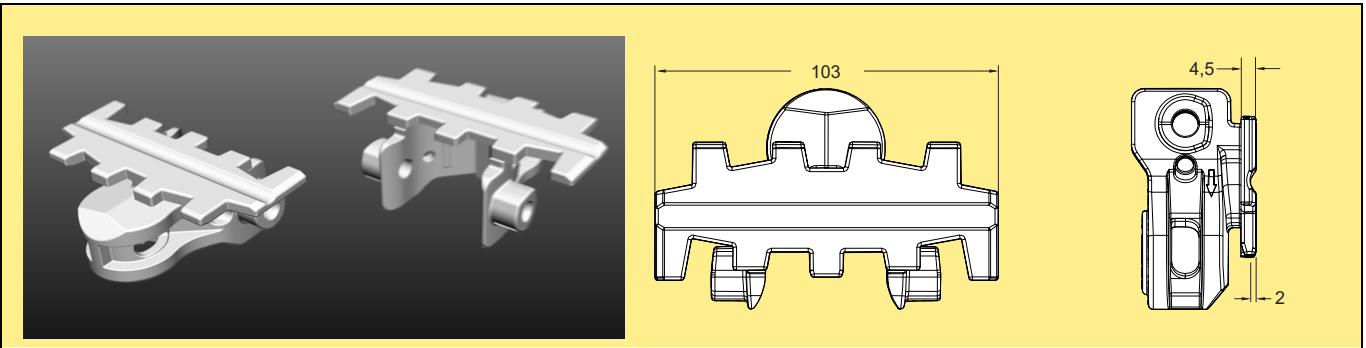
## Cleated chain



Cylindrical rollers.

Chain	Link(s)	Link kit(s)	Dimensions	Link weight	Material, link	Material, pivot
XKTF 5X15 A...	XKTL 102X15 A	5056645	h=15 mm	71 g	POM B	See page III
XKTF 5X20 A...	XKTL 102X20 A	5056646	h=20 mm	75 g	POM B	See page III
XKTF 5X30 A...	XKTL 102X30 A	5056647	h=30 mm	83 g	POM B	See page III
XKTF 5X40 A...	XKTL 102X40 A	5056648	h=40 mm	90 g	POM B	See page III

# Cleated chain



Cylindrical rollers.

Chain	Link(s)	Link kit(s)	Dimensions	Link weight	Material, link	Material, pivot
5113645	5113648	5113647		56 g	POM B	See page III

Introduction  
 X45  
 X45H  
 XS  
 XL  
 X65  
 XM  
 X85  
 X85X  
 XH  
**XK**  
 X180  
 X180X  
 X300  
 X300X  
 XT  
 XTC  
 WK  
 WL  
 WL222X  
 WL273X  
 WL374X  
 WL526X  
 WL678X  
 IDX

