

Chain cleaning modules for wet applications

CHAIN CLEANING FOR WET APPLICATIONS

The inline chain washing unit is designed to run continuously when working with production lines that have a high degree of product spillage. The result is a cleaner chain that allows longer production runs without the need for CIP or routine maintenance.

BENEFITS

The chain cleaner prevents product build up on the chain and allows continuous fault free running of the line with the need to stop the conveyor and remove the chain to clean by hand. Supplied as a complete unit the chain washer can quickly be integrated into new conveyor lines or upgraded to existing conveyor lines in order to improve performance and reliability

STANDARD FEATURES

- **Robust** – the system is robust and designed to operate within harsh environment where spillages on the conveyor are highly likely.
- **Simple installation** – mount to conveyors using standard fittings
- **Compact** – the unit will take up the smallest footprint possible
- **Clean** – clean design with sloping faces and minimum areas for fluid or dirt to build up
- **Safe** – fully guarded design.

Chain cleaning modules for wet applications

System information

The washing unit is available for aluminium conveyor systems XS, XL, X65, X85, XH and XK, and stainless systems XLX and X85X.



Operating requirements

Water supply attachment

Connection of water/cleaning system is made by G 1/2" internal thread connection. Maximum/Minimum flowrate required is 11–13,5 l/min.

Drainage Vacuum

Vacuum attachment is made by Ø32 hose connection. Vacuum requirements are 23,5 kPa minimum with a vacuum of 2x56 l/second.

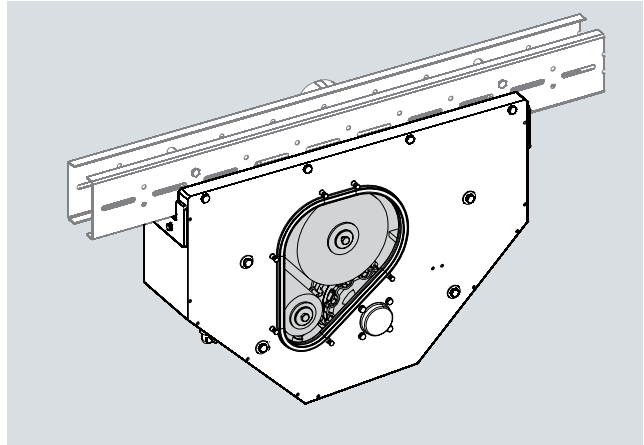
Technical characteristics

Minimum top of chain height	550 mm
Maximum conveyor length	3 m
Maximum conveyor speed	50 m/min

info@flexlink.com
flexlink.com

Ordering information

Chain washer and dryer unit



Chain washer and dryer unit

Unit XS	8044023
Unit XL	8044024
Unit XLX	8044025
Unit X65	8044105
Unit X85	8044026
Unit X85X	8044027
Unit XH	8044029
Unit XK	8044028

*Note. This unit is designed for plain chains only.
1 m long beam section is included*

Spare parts

See separate document 5686EN-1 Spare parts Chain Cleaning modules for wet or dry applications



a coesia company