

Support components Series X

Contents

Introduction	155	Example of support profiles	162
Support system components, XLX	156	Example of support profiles	163
Support system components, X85X, X180X, X300X, WLX157			
Support legs.....	160		

Introduction



Introduction

The support used for the conveyor consists of a stainless steel tube, which is connected to the conveyor beam by means of a connector plate and beam support bracket.

A two- or three-point foot of glass-fibre reinforced polyamide complete with connecting elements is available for use with conveyor supports of all system widths. The foot has threaded bushings and spacers in nickel-plated brass.

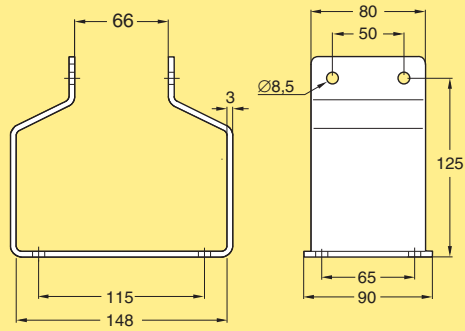
The maximum adjusting height of the adjustable feet is 30 mm. Anti-slip pads can be fitted to the adjustable feet. Apart from increasing the friction if the feet are not bolted to the floor, these also reduce vibration.

The components have also been evaluated and designed to reduce pinch points in order to improve personal safety.

Other support variants are available on request.

- PO
- XLX
- X85X
- X180X
- X300X
- WL 222X
- WL 273X
- WL 374X
- WL 526X
- WL 678X
- CSX**
- GRX
- FSTX
- TR
- APX
- IDX

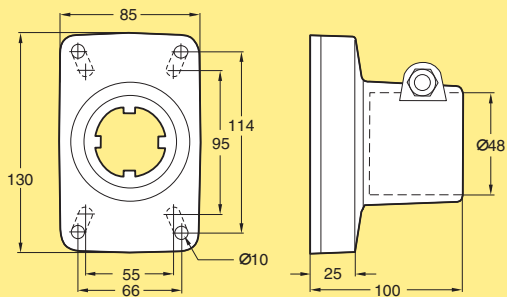
Beam support bracket, XL



Beam support bracket
Stainless steel

XLCTX 125

Connector plate

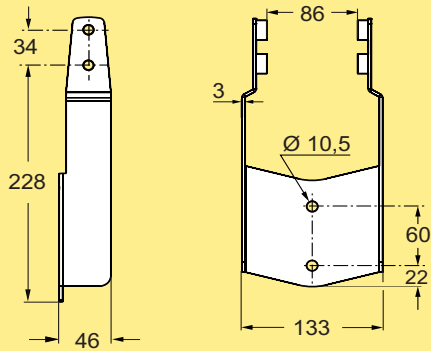


Connector plate
Reinforced polyamide

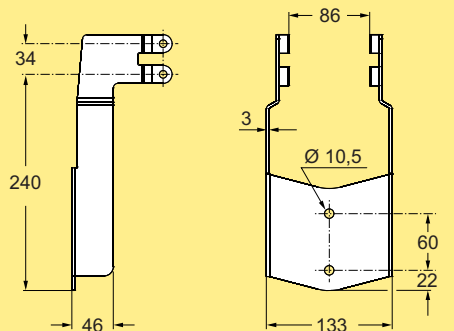
XCFC 48x85x130

Screws and nuts must be ordered separately

Beam support bracket X85X

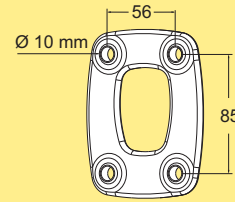


Beam support bracket, **straight beam 5114653**
Stainless steel



Beam support bracket, **drive unit 5114999**
Stainless steel

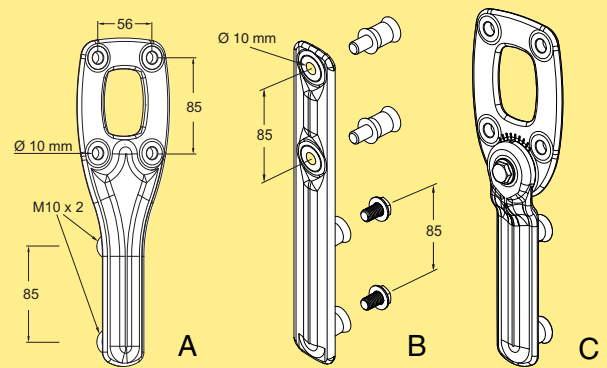
Connecting bracket



Connecting Bracket
For beam
Including M10 screws x4

WLCJX 10X56

Beam support brackets



Beam support bracket (A)
Including 6 pcs M10 screws

WLCSX 10X56

Beam support bracket (B)
Including 2 pcs M10 screws and
2 pcs spacer WLRDX M10X25

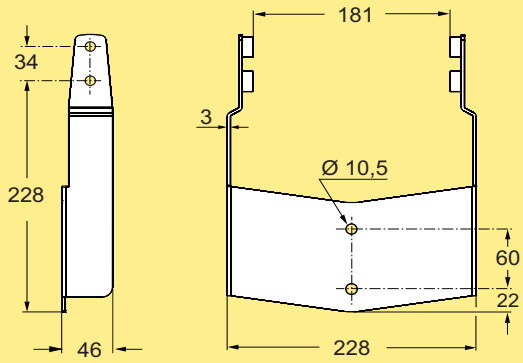
WLCSX 10

Beam support bracket (C)
Adjustable $\pm 40^\circ$

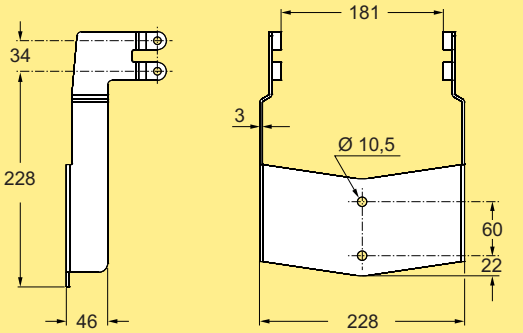
**WLCSX
10X56V40**

PO
XLX
X85X
X180X
X300X
WL
222X
WL
273X
WL
374X
WL
526X
WL
678X
CSX
GRX
FSTX
TR
APX
IDX

Beam support bracket X180X

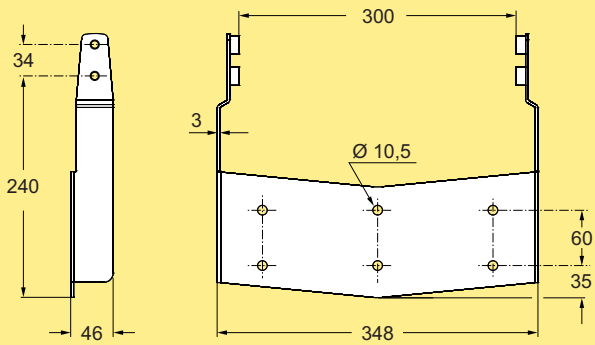


Beam support bracket, **straight beam 5114654**
Stainless steel

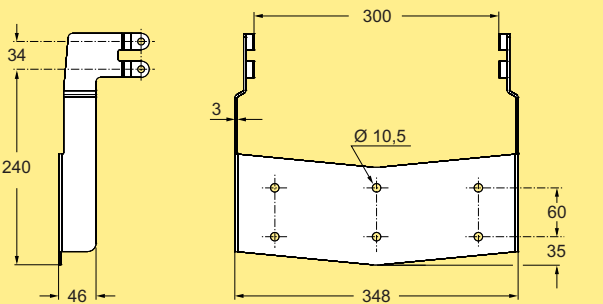


Beam support bracket, **drive unit 5115001**
Stainless steel

Beam support bracket X300X

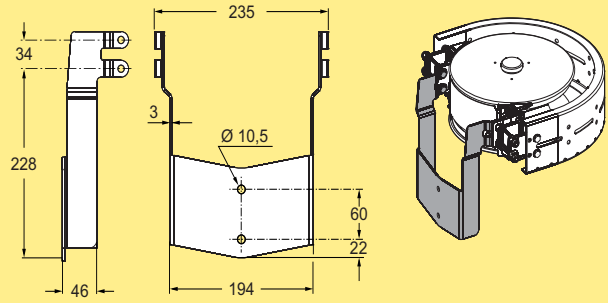


Beam support bracket, **straight beam 5114655**
Stainless steel



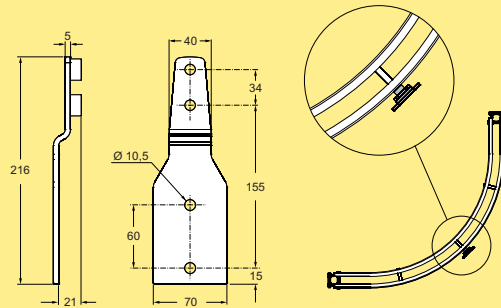
Beam support bracket, **drive unit 5114998**
Stainless steel

Beam support bracket

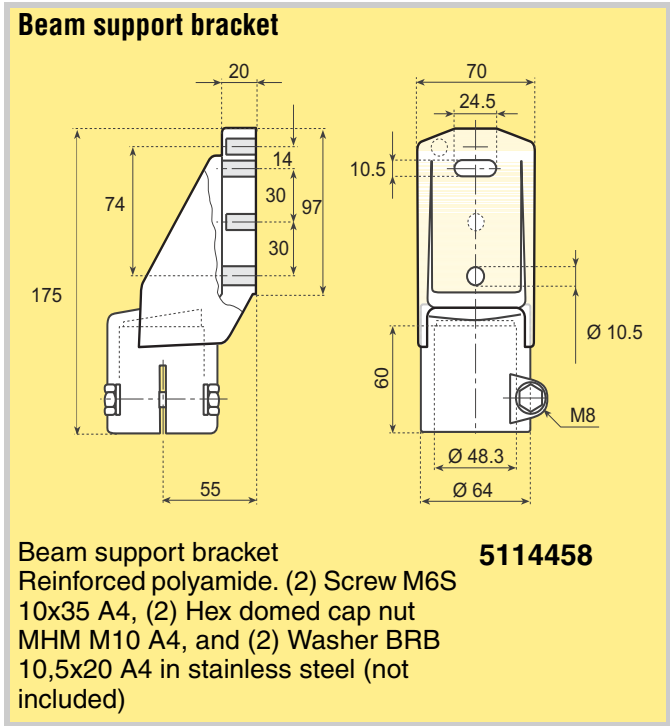


Beam support bracket, **wheel bends 5115171**
Stainless steel

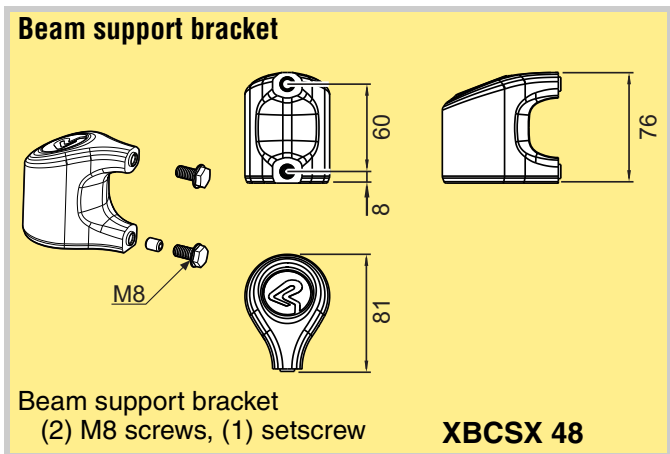
Beam support bracket



Beam support bracket, reinforced single-sided suspension for support of **plain bends 5115162**
Stainless steel



For mounting hardware, see chapter Fasternes (FSTX)



PO

XLX

X85X

X180X

X300X

WL 222X

WL 273X

WL 374X

WL 526X

WL 678X

CSX

GRX

FSTX

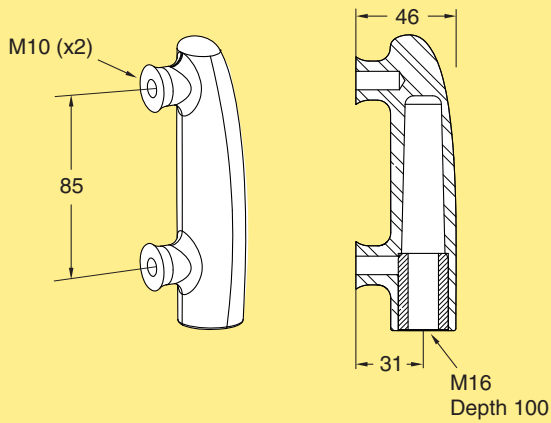
TR

APX

IDX

Support legs

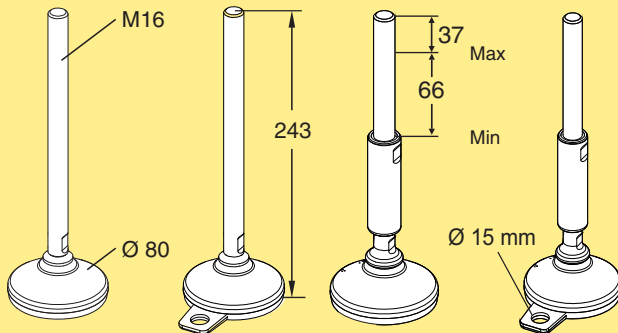
Connector for adjustable foot



Connector
Connector
Incl. two screws

XCFCX 16x100

Adjustable foot

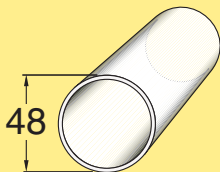


Adjustable foot

M16
M16, Anchoring
M16, EHEDG/3A
M16, Anchoring, EHEDG/3A

XCFSX 16x80
XCFSX 16x80 A
XCFSX 16x80 H
XCFSX 16x80 HA

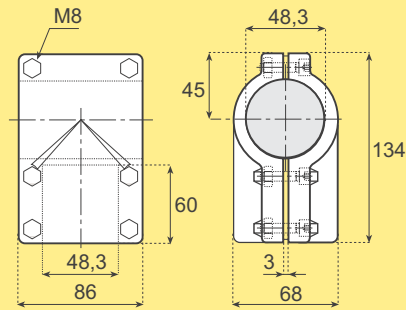
Support profile



Support profile
Stainless steel
Length 3000 mm +50 -10 mm
Length to order

XCBMX 3x48
XCBMX Lx48

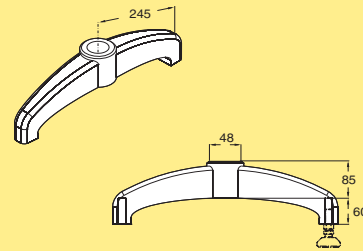
T-connector



T-connector
Reinforced polyamide, screws
and nuts in stainless steel

5114962

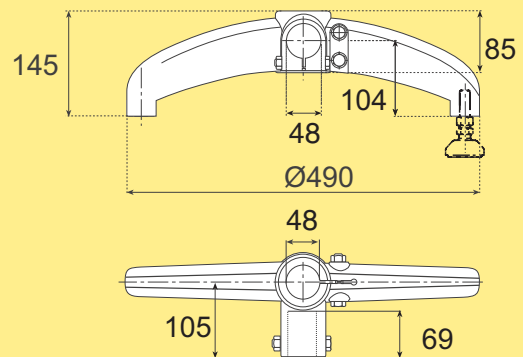
Polyamide foot, 2-point



Two-point foot
Reinforced polyamide
Threaded bushings and spacers in
nickel plated brass
(Adjustable foot XCFS 16x60x65 not
included)

XCFG 48 D

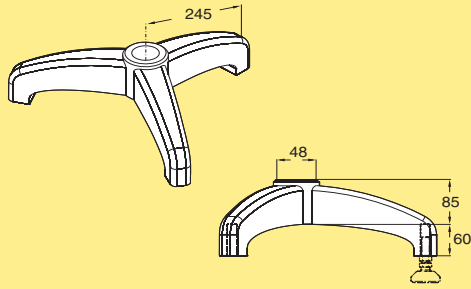
Polyamide foot, 2-point with joint



Two-point foot
Reinforced polyamide
Threaded bushings and spacers in
nickel plated brass
(Adjustable foot XCFS 16x60x65 not
included)

XCFG 48 DJ

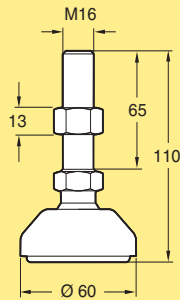
Polyamide foot, 3-point



Three-point foot
 Reinforced polyamide
 Threaded bushings and spacers in
 nickel plated brass
*(Adjustable foot XCFS 16x60x65 not
 included)*

XCFG 48 T

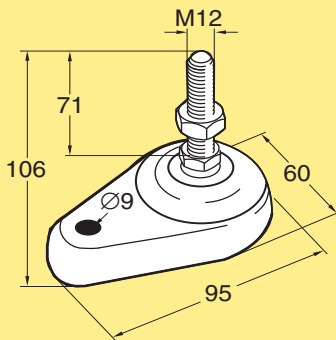
Polyamide foot, adjustable



Adjustable foot
 Stainless steel
 M16 thread
*Including nut
 Maximum vertical load 12000 N*

XCFS 16x60x65

Adjustable foot, polyamide, M12



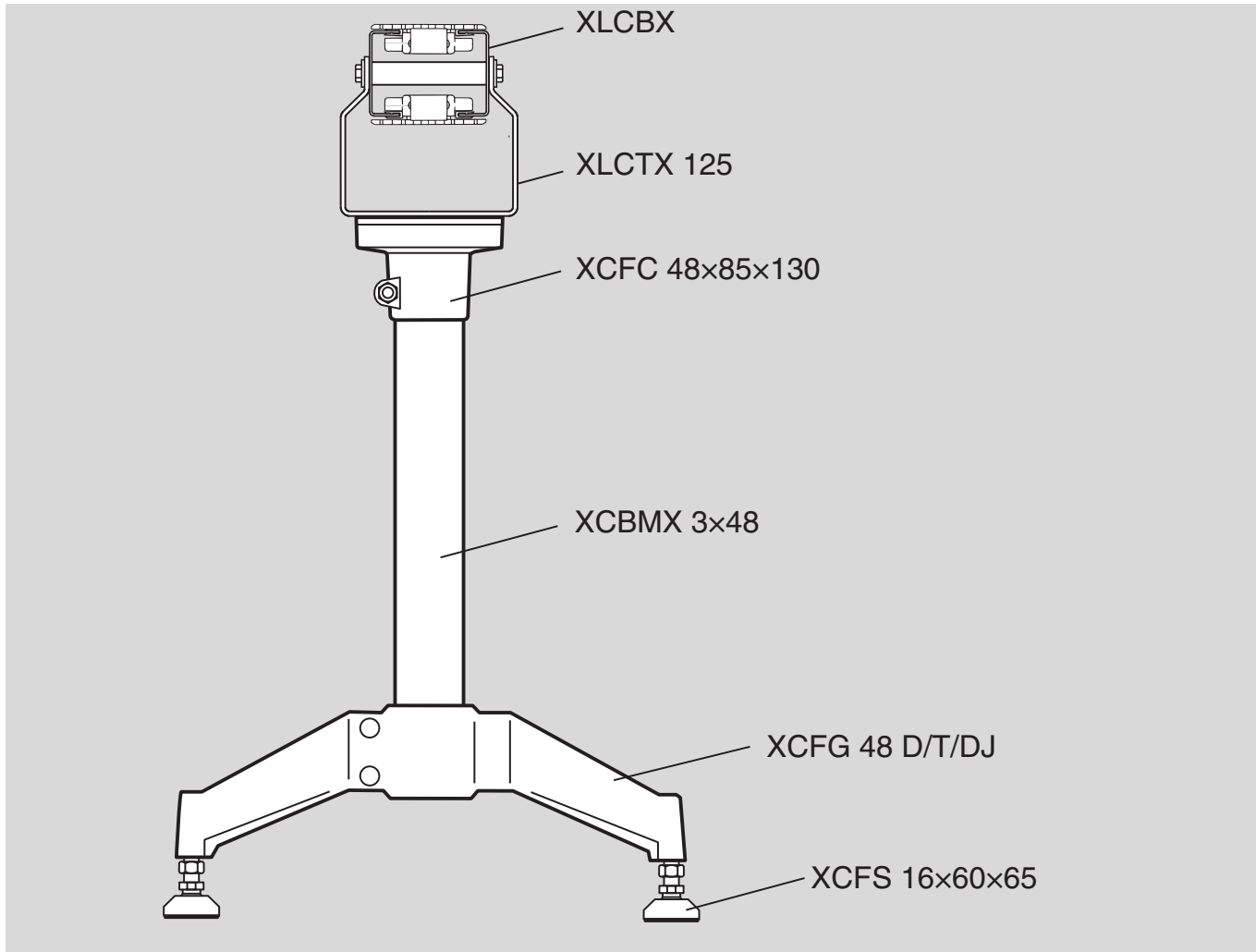
Adjustable foot
 PA + steel, electro-zinc-plated
 M12 thread
Including nut. Maximum vertical load 15000 N

XCFS 12x60x71

PO
 XLX
 X85X
 X180X
 X300X
 WL
 222X
 WL
 273X
 WL
 374X
 WL
 526X
 WL
 678X
CSX
 GRX
 FSTX
 TR
 APX
 IDX

Example of support profiles

Example of support profile, XLX



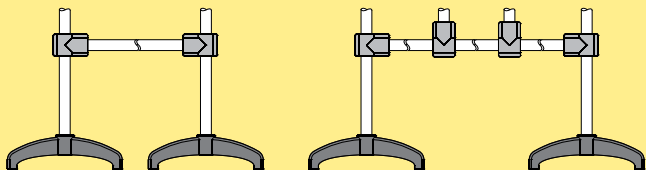
Ordering information

Screws, nuts and brackets must be ordered separately for the following components:

Example of support profiles

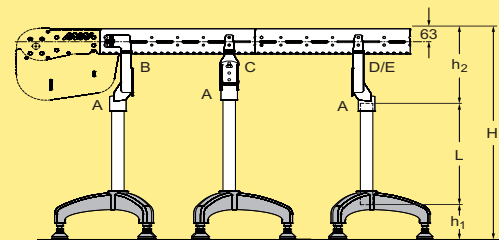
Designation	Attachment to	Mounting hardware required	Qty
Beam XLCBX	XLCTX 125	M6S 8x20 A4	4
		XLANX 8	4
		BRB 8,4x16 A4	4+4
XLCTX 125	XCFC 48x85x130	ISO 4014 M8x40 A4	4
		BRB 8,4x16 A4	4
		ISO 4032 M8 A4	4
XCFC 48x85x130	XCBM 3x48	Fasteners are included	
XCBM 3x48	XCFG 48D/T	Fasteners are included	
XCFG 48D/T	XCFS 16x60x65	Fasteners are included	

Example of support profile configuration



Support profile XCBMX Lx48, T-connector 5114962 and Polyamide feet

Support profile length



A	B	C	D	E
5114458	5114999	5115162	5114653	5115171
	5115001		5114654	
	5114998		5114655	

The beam length required to obtain a specific conveyor height H depends on the conveyor size, foot type and beam support bracket. See figure. In the following formula H represents the height from the floor to the top of a standard plain chain. Most support combinations permit height adjustment both at the foot and at the beam support bracket.

$$L = H - h_1 - h_2$$

Net height of foot h_1

Foot type	h_1 mm
XCFG 48 D+XCFS 16x60x65	(60+72) 132
XCFG 48 DJ+XCFS 16x60x65	(60+72) 132
XCFG 48 T+XCFS 16x60x65	(60+72) 132

Height h_2

Beam	Bracket type	h_2 mm (TOC*)
85x113 mm	A+B	314
85x113 mm	A+C	263
85x113 mm	A+D	314
85x113 mm	A+E	314

*Top of a plain chain, 4 mm+ Slide rail 2,5 mm

Ordering information

Profiles are available in standard lengths of 3 m or other lengths cut to order.

PO

XLX

X85X

X180X

X300X

WL
222X

WL
273X

WL
374X

WL
526X

WL
678X

CSX

GRX

FSTX

TR

APX

IDX

