

Conveyor system XH

Contents

| | | | |
|--|-----|--------------------------------------|-----|
| System information..... | 217 | Catenary drive units XH..... | 227 |
| Conveyor modules..... | 218 | S-Transfer..... | 227 |
| Chains XH..... | 219 | Idler units XH..... | 227 |
| Chain accessories XH..... | 220 | Bridges..... | 229 |
| Beams XH..... | 220 | Wheel bends XH..... | 230 |
| Beam accessories XH..... | 221 | Wheel cover for Wheel bend..... | 231 |
| Slide rails XH..... | 222 | Plain bends XH..... | 231 |
| Slide rails XH, hardened steel..... | 223 | Support rail for plain bends XH..... | 232 |
| Drive and idler units – introduction..... | 224 | Vertical bends XH..... | 233 |
| End drive units XH..... | 225 | Angle plates XH..... | 234 |
| End drive units XH, direct drive with slip clutch..... | 225 | Front piece XH..... | 235 |
| End drive units XH Type H, direct drive, no slip clutch..... | 226 | Drip trays XH..... | 236 |
| Intermediate drive units XH..... | 226 | Drip catchers XH..... | 236 |

System information



Chain width 103 mm



Features

Suitable for larger items, especially if point of balance is somewhat offcenter. Higher capacity than XS and X65.

Examples of application areas

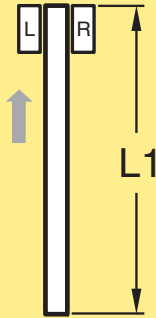
Large ball bearings, electric motors, steering arm components, secondary packages, cartons.

Technical characteristics

| | |
|--------------------------------------|------------|
| Drive unit capacity..... | 1250 N |
| Chain tension limit..... | 1250 N |
| Beam width..... | 105 mm |
| Chain width..... | 103 mm |
| Chain pitch..... | 35,5 mm |
| Item width..... | 25–300 mm |
| Maximum item weight | |
| Horizontal transport..... | 20 kg |
| Vertical transport..... | 15 kg |
| Maximum weight on conveyor..... | 150–300 kg |
| Maximum conveyor length..... | 30 m |
| Maximum permitted load per link..... | 2,0 kg |

Conveyor modules

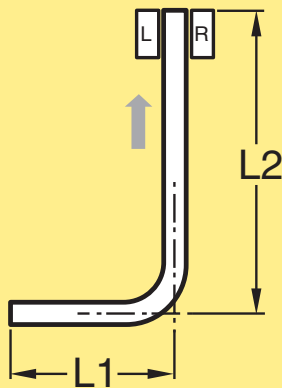
Straight conveyor



Conveyor module – straight * **5990226**

**Use online configurator when ordering*

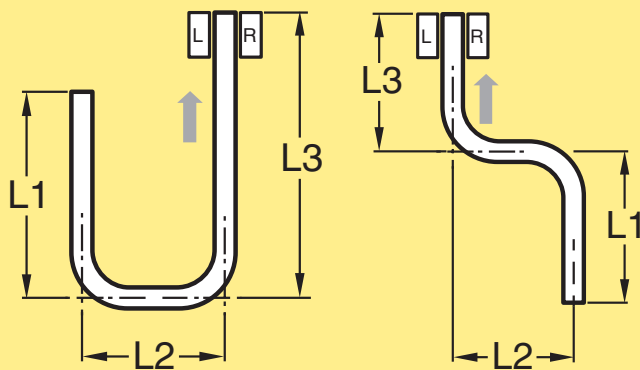
One bend conveyor



Conveyor module – one bend * **5990230**

**Use online configurator when ordering*












Two bend conveyor



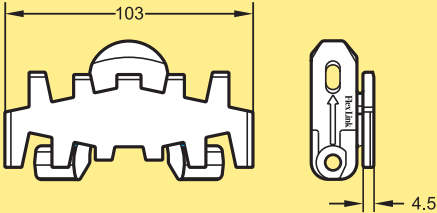
Conveyor module – two bends * **5990237**

**Use online configurator when ordering*

Support modules – single and multi-lane

| | | |
|---|---------|-------------------------|
|  | 5995387 | Single diecast |
|  | 5995388 | Single end adjustable |
|  | 5995389 | Single end guide roller |
|  | 5995390 | Single foot plate |
|  | 5995391 | Single two/three-point |
|  | 5995393 | Multi single 2 lane |
|  | 5995394 | Multi single 3 lane |
|  | 5995395 | Multi single 4 lane |
|  | 5995396 | Multi double 2 lane |
|  | 5995397 | Multi double 3 lane |
|  | 5995398 | Multi double 4 lane |

Plain chain



Plain chain
Length 5 m **XHTP 5**

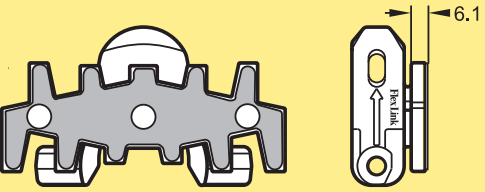
Plain link kit * **5056312**

Plain chain (Ultra low wear)
Length 5 m **XHTP 5 C**

Plain link (Ultra low wear) **n.a.**

**Note. Link kit contains 10 links, 10 pivot, 10 steel pins.*

Steel top chain

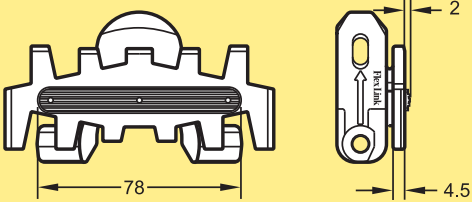


Steel top chain
Length 5 m **XHTP 5 TF**

Steel top link kit * **5056594**

Note. Link kit contains 10 links, 10 pivot, 10 steel pins.

Friction top chain



Friction top chain
Length 5 m **XHTP 5 FP**

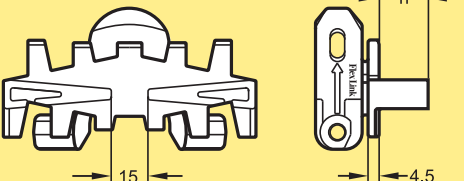
Use the online configurator to specify and order.

Friction top chain
Length 5 m **XHTP 5 F**

Friction top link kit * **5056593**

**Note. Link kit contains 10 links, 10 pivot, 10 steel pins.*

Cleated chain, Type A



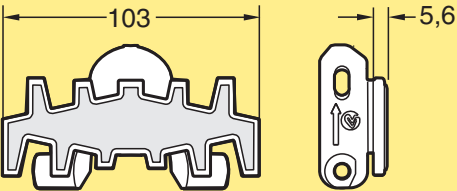
Cleated chain, Type A cleats*
Length 5 m
h=15 mm **XHTF 5x15 A**
h=20 mm **XHTF 5x20 A**
h=30 mm **XHTF 5x30 A**
h=40 mm **XHTF 5x40 A**

**Use the online configurator to specify and order.*

Cleated link kit **
h=15 mm **5056595**
h=20 mm **5056596**
h=30 mm **5056597**
h=40 mm **5056598**

***Note. Link kit contains 10 links, 10 pivot, 10 steel pins.*

Flat top friction chain

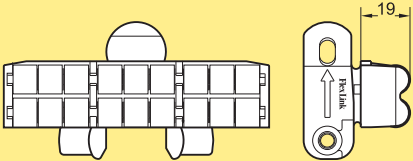


Flat top friction chain
Length 5 m **XHTP 5 FA**

Flat top friction link kit * **5058544**

**Note. Link kit contains 10 links, 10 pivot, 10 steel pins.*

Roller top chain

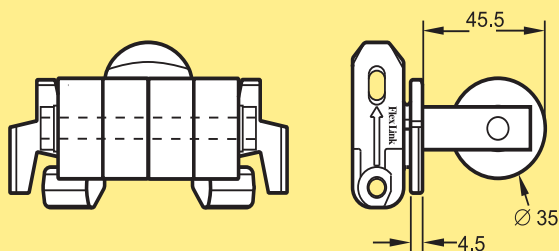


Roller top chain
Length 5 m **XHTR 5**

Roller top link kit *) **) **5056603**

**Note. This link cannot be combined with plain links.
**Note. Link kit contains 10 links, 10 pivot, 10 steel pins.*

Chain with roller cleats



Chain with roller cleats
Length 5 m

XHTF 5x46 R

Use the online configurator to specify and order.

Link kit with roller cleats*

5056604

Note. This type of chain requires minimum one plain link between every cleated link.

*Note. 1 link XHTL 103x46 R with pivot and steel pin.

Other chains

See the Chain guide for a selection of other chains.

Chain installation

See Appendix "D. Chain installation" on page 530, for installation instructions

Chain accessories XH

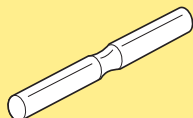
Plastic pivot



Plastic pivots, kit XH (25 pcs)

5056588

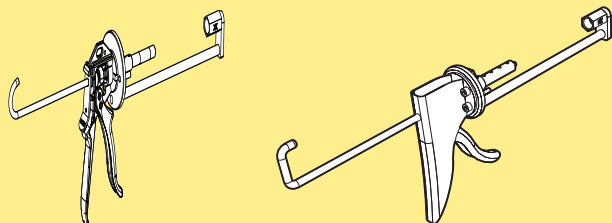
Steel pin



Steel pin, kit (25 pcs) XH

5111502

Pin insertion tool for chain



Pin insertion tool
XH

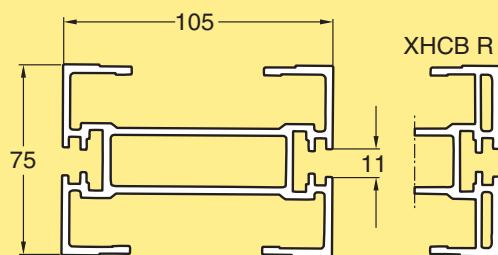
X85-X180/X300-XH, PRO version*

XHMJ 6

XBMJ 6 P

This tool is recommended for frequent users

Conveyor beam



Beam

Length 3000 +10/-0 mm

XHCB 3

Length to order (30- 3000 mm)

XHCB L

Beam, reinforced

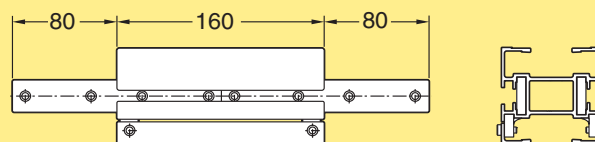
Length 3000 +10/-0 mm

XHCB 3 R

Length to order (30- 3000 mm)

XHCB L R

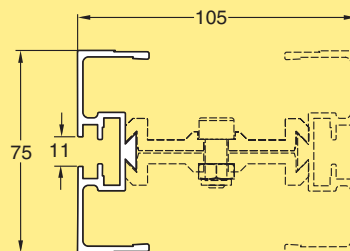
Beam section for chain installation



Beam section for chain installation
Including connection strips and screws

XHCC 160 A

Profile for split conveyor beam



Profile for split conveyor beam

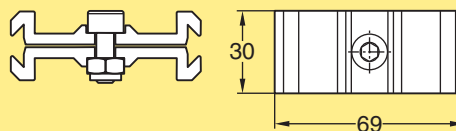
Length 3000 +10/-0 mm

XHCB 3 H

Length to order (30- 3000 mm)

XHCB L H

Beam clip assembly

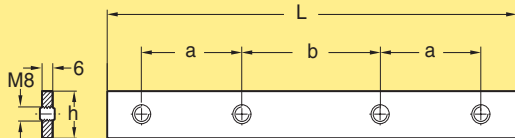


Beam clip assembly

XHCE 69x30

Including M8 screw and locking nut. Use minimum 5 clips per meter. Place clips 100 mm from each end.

Connecting strip with set screws



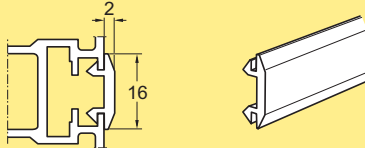
Connecting strip with set screws

h=25, a=30, b=50, L=130
h=25, a=44, b=44, L=160

XLCJ 6x130
XLCJ 6x160

Note. Contains 10 pcs.

Cover strip for T-slot, PVC

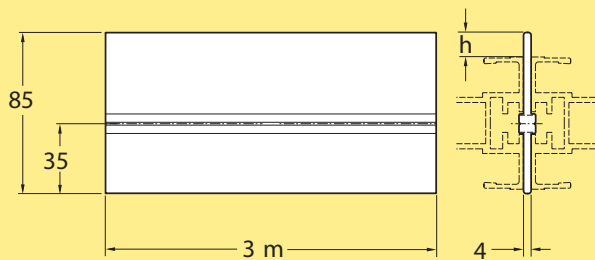


Cover strip for T-slot, PVC
Length 25 m

XLAB 25

For XS-XH

Beam spacer



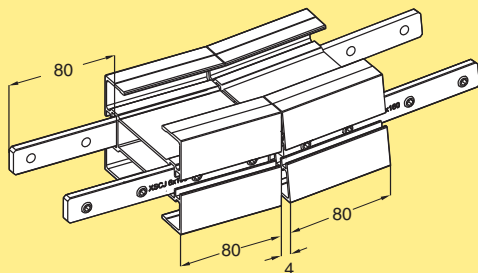
| | | | |
|-----------|-----------|-----------|----------|
| XS | X65 | X85/XH | XK |
| h=16,0 mm | h=15,9 mm | h=10,5 mm | h=0,5 mm |

Beam spacer
Aluminium, anodized
Length 3 m

XLCD 3

For connection of two conveyor beams side to side. Use M8 screw and slot nut. Two holes must be drilled, one through the spacer (9 mm) and one through the beam, to allow insertion of the screw. The diameter of the second hole depends on the size of the screw head.

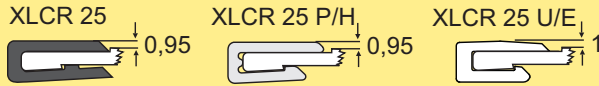
Articulated beam section



Articulated beam section vertical **XHCH 5 V**

Slide rails XH

Plastic slide rails for beams



Slide rail

Length 25 m

HDPE ($\mu=0,1-0,25$) (Black)

PA-PE ($\mu=0,1-0,25$) (Grey)

PVDF ($\mu=0,15-0,35$) (Natural white)

PE-UHMW ($\mu=0,1-0,25$) (White)

PE-UHMW (Blue)

PE-UHMW conductive (Black)

XLCR 25

XLCR 25 H

XLCR 25 P

XLCR 25 U

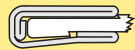
XLCR 25 UL A

XLCR 25 E

See Appendix A, page 521 for selection guidelines and assembly instructions.

Steel slide rail for beams

XLCR 3 TA



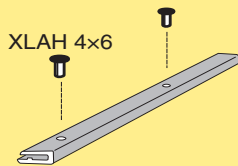
Slide rail ($\mu=0,15-0,35$)

Length 3 m

Acid resistant stainless steel

XLCR 3 TA

Aluminium rivets



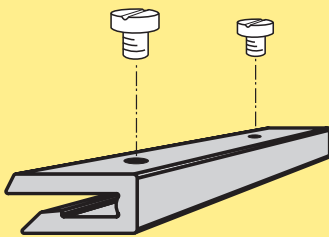
Aluminium rivets 4 mm for XH conveyors

XLAH 4x6

Extra slide rail in plain bends must be anchored using plastic screws due to lack of space for the rivet crimping tool.

Note. Contains 250 pcs. 250.

Plastic screws for slide rail



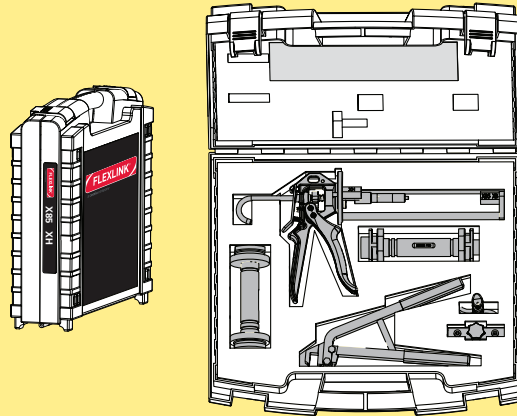
Plastic screws 5 mm for XS-X65-X85-XH-X180/X300 beams

XLAG 5

See mounting instruction "Anchoring slide rail using plastic screws" on page 526

Note. Contains 50 pcs.

Toolbox for assembly and maintenance (X85, XH)



Toolbox

FLX1007288

Contains:

Pin insertion tool (chain)

Mounting tool (X85)(slide rail)

Mounting tool (XH) (slide rail)

Rivet crimping pliers 4 mm (slide rail)

Rivet crimping clamp 4 mm (slide rail)

Drill fixture 4 mm (slide rail)

XBMJ 6 P

XBMR 170

XHMR 200

5051395

3923005

3920500

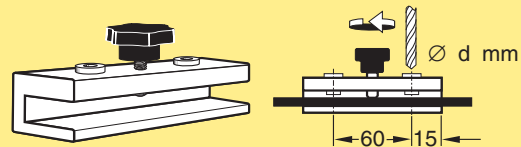
Mounting tool for slide rail



Mounting tool for slide rail XH

XHMR 200

Drill fixture for slide rail



Drill fixture for X65-X85-XH-XK-X180/X300 slide rail

d=4,2 mm

3920500

Rivet crimping pliers



Rivet crimping pliers for X65-X85-XH-XK-X180/X300

For 4 mm rivets

5051395

Rivet crimping clamp

Rivet crimping clamp for X65-X85-XH-XK-X180/X300
For 4 mm rivets
(Allen key not included)

3923005

Cover strip

5112114
5057208

Cover strip
Length: 3 m
Material: Plastic PA 12

5112114

Cover the opening on the side between the chain and beam. Primarily for straight sections and the outer curves, but can also be mounted on inner curves. Apply using a double-sided tape, see mounting instruction 5497EN in Technical library.

Slide rails XH, hardened steel

Steel slide rail, straight

Slide rail, hardened steel
Length 3 m

XLCR 3 TH

Delivered with 9 predrilled holes

Brass rivets

Brass rivets (100 pcs)

5056167

Rivets for anchoring the slide rails

Steel slide rail for bends

Slide rail for bends, hardened steel
Slide rail for bend, XH 30°
Slide rail for bend, XH 45°
Slide rail for bend, XH 90° & 180°

XHCR W30 TH
XHCR W45 TH
XHCR W90 TH

180°: Use 2 pieces of steel slide rail 90°

Cleaner 3M

Cleaner (100 sachets)

5057207

Use cleaner on beam and slide rail before attaching glue tape.

Glue tape 3M

Glue tape
Length 30 m

5057208

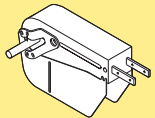
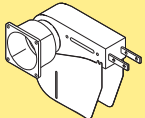

Drive and idler units – introduction

Drive unit types

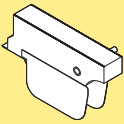
The XH system includes several configurations are available, including direct driven units with or without slip clutch. Heavy duty drives with suspended motor and transmission chain can also be ordered.

Available motors include variable speed types (**V**) as well as fixed speed motors (**F**).

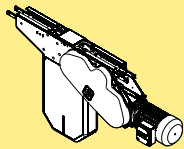
End drive units

| Size | Direct drive, no slip clutch | Direct drive, slip clutch | Suspended motor, transmission chain, slip clutch |
|---------------|---|---|---|
| |  |  |  |
| Heavy | F, V | F, V | F |
| Heavy, guided | F, V | F, V | – |

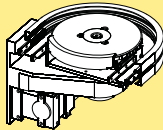
Intermediate drive units

| Size | Suspended motor, transmission chain, slip clutch |
|-------|---|
| |  |
| Heavy | F |

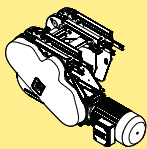
Catenary drive units

| Size | Suspended motor, transmission chain, slip clutch |
|-------|---|
| |  |
| Heavy | F |

Wheel bend drive units

| Size | Suspended motor, transmission chain, slip clutch |
|-------|---|
| |  |
| Heavy | F |

Double drive units

| Size | Suspended motor, transmission chain, slip clutch |
|-------|---|
| |  |
| Heavy | F |

Motor specifications

Motors are available for 230/400 V, 50 Hz and 230/460 V, 60 Hz. Variable speed motors are SEW Movimot, 380–500 V. Note that variable speed motors include a control box that adds 120 mm to the width of the motor.

IP55 available with standard oil.

IP65 available with food grade oil.

Ordering information

Drive units with motors must be specified using the web-based configurator. The configurator provides detailed information and step-by-step guidance in the specification process. A product code string is generated, containing the specification details. See next page for examples of code strings.

Drive units *without* motors can be ordered using the designations in the catalogue.

Dimension

Note that dimensions relating to drive unit motors depend on the motor specified during the configuration.

End drive units XH

PO

CC

X45

XS

X65

X65P

X85

X85P

XH

XK

XKP

X180

X300

GR

CS

XT

HU

WL

WK

XC

XF

XD

ELV

SC

FST

TR

APX

IDX

End drive unit, suspended, slip clutch

End drive unit
 Speed up to 60 m/min
 Transmission on left side
 Fixed speed*
 Without motor (ISO) **XHEB**
 Without motor (ANSI) **XHEB 0 HL**
XHEB 0 HLA

Maximum traction force: 1250 N. See page 22.
**Use online configurator when ordering.*
 Effective track length: 0,80 m

End drive unit, suspended, slip clutch

End drive unit
 Speed up to 60 m/min
 Transmission on right side
 Fixed speed*
 Without motor (ISO) **XHEB**
 Without motor (ANSI) **XHEB 0 HR**
XHEB 0 HRA

Maximum traction force: 1250 N. See page 22.
**Use online configurator when ordering.*
 Effective track length: 0,80 m

End drive units XH, direct drive with slip clutch

End drive unit, direct drive with slip clutch

End drive unit, direct drive
 Fixed speed up to 60 m/min
 Variable speed: see Drive Unit Guide
 Motor on left side
 Fixed/variable speed* **XHEB**
 Without motor **XHEB 0 HLP**

Maximum traction force: 1250 N. See page 22.
** Use online configurator when ordering.*
 Effective track length: 0,80 m

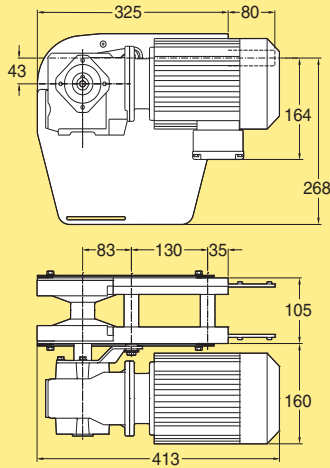
End drive unit, direct drive with slip clutch

End drive unit, direct drive
 Fixed speed up to 60 m/min
 Variable speed: see Drive Unit Guide
 Motor on right side
 Fixed/variable speed* **XHEB**
 Without motor **XHEB 0 HRP**

Maximum traction force: 1250 N. See page 22.
** Use online configurator when ordering.*
 Effective track length: 0,80 m

End drive units XH Type H, direct drive, no slip clutch

End drive unit, direct drive, no slip clutch

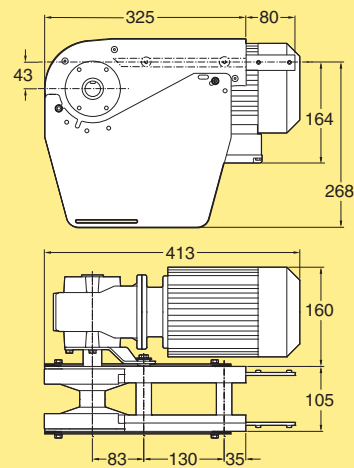


End drive unit, max 1250 N
 Fixed speed up to 60 m/min
 Variable speed: see Drive Unit Guide
 Motor on left side
 Fixed/variable speed*
 Without motor

XHEB
XHEB 0 HNLP

Maximum traction force: see diagram, page 22.
 *Use online configurator when ordering.
 Effective track length: 0,80 m

End drive unit, direct drive, no slip clutch



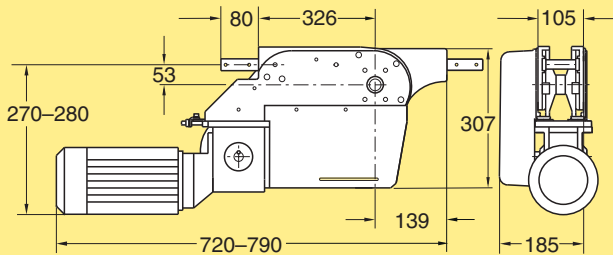
End drive unit, max 1250 N
 Fixed speed up to 60 m/min
 Variable speed: see Drive Unit Guide
 Motor on left side
 Fixed/variable speed*
 Without motor

XHEB
XHEB 0 HNRP

Maximum traction force: see diagram, page 22.
 *Use online configurator when ordering.
 Effective track length: 0,80 m

Intermediate drive units XH

Intermediate drive unit

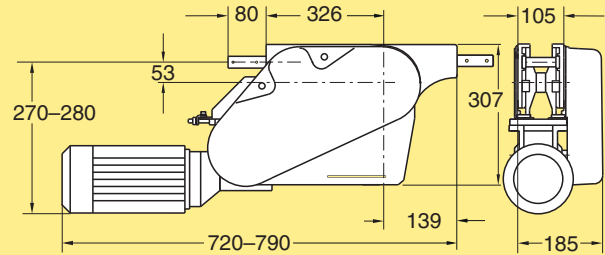


Intermediate drive unit
 Suspended motor
 Fixed speed up to 25 m/min
 Transmission on left side
 Fixed speed*
 Without motor (ISO)
 Without motor (ANSI)

XHER
XHER 0 HL
XHER 0 HLA

Maximum traction force: 200 N. See page 22.
 * Use online configurator when ordering.
 Effective track length: 1,00 m

Intermediate drive unit



Intermediate drive unit
 Suspended motor
 Fixed speed up to 25 m/min
 Transmission on right side
 Fixed speed*
 Without motor (ISO)
 Without motor (ANSI)

XHER
XHER 0 HR
XHER 0 HRA

Maximum traction force: 200 N. See page 22.
 *Use online configurator when ordering.
 Effective track length: 1,00 m

Catenary drive units XH

PO

CC

X45

XS

X65

X65P

X85

X85P

XH

XK

XKP

X180

X300

GR

CS

XT

HU

WL

WK

XC

XF

XD

ELV

SC

FST

TR

APX

IDX

Catenary drive unit

Catenary drive unit
Suspended motor
Fixed speed up to 25 m/min
Transmission on left side
Fixed speed*
Without motor (ISO) **XHEC**
Without motor (ANSI) **XHEC 0 HL**
XHEC 0 HLA

Maximum traction force: 1250 N. See page 22.
*Use online configurator when ordering.
Effective track length: 1,35 m

Catenary drive unit

Catenary drive unit
Suspended motor
Fixed speed up to 25 m/min
Transmission on right side
Fixed speed*
Without motor (ISO) **XHEC**
Without motor (ANSI) **XHEC 0 HR**
XHEC 0 HRA

Maximum traction force: 1250 N. See page 22.
*Use online configurator when ordering.
Effective track length: 1,35 m

S-Transfer

S-Transfer

S-transfer for return chain
for XH **XHCY D**

Effective track length: 3,3 m

Idler units XH

Idler end unit

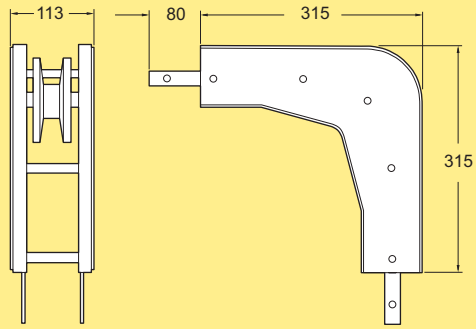
Idler end unit **XHEJ 325**

Effective track length: 0,80 m

Protective cover for idler end unit

Protective cover for idler end unit **XHSJ 195**

Idler bend unit, 90°



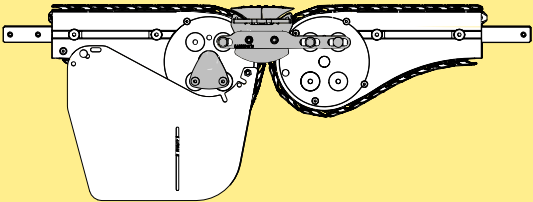
Idler bend unit, 90°

XHEK 90R50

Effective track length: 0,65 m.

Note. Cannot be used with return chain.

Passive bridge from conveyor to conveyor




*Passive bridge** **XHNG**

From: Heavy Drive To: Heavy Idler

** Use online configurator when ordering.*

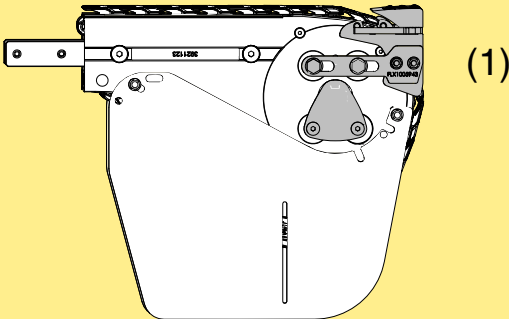
Attachment wire



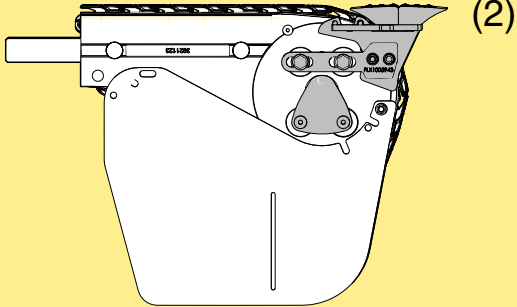
Wire for attaching roller to holder **FLX1006041**

**Also available as a configuration option through XHNG.*

Passive bridge to or from machine or application, Single or double rollers



(1)



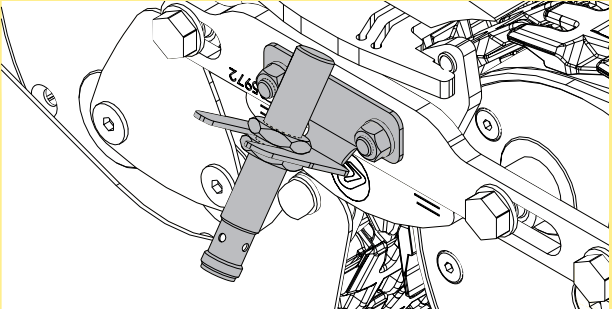
(2)

*Passive bridge**
Single roller (1) or Double roller (2) **XHNG**

From: Heavy Drive To: External
External To: Heavy Idler

** Use online configurator when ordering.*

Sensor Kit



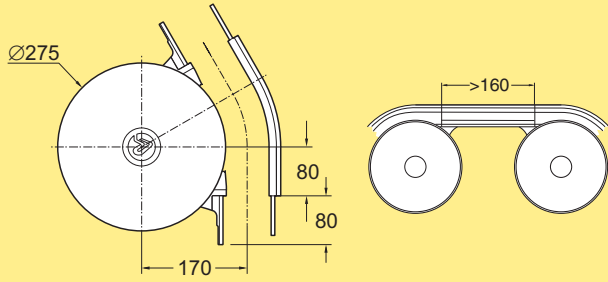
Bridge in position sensor kit
Conveyor to conveyor **FLX1006042**
External to/from Conveyor **FLX1006044**

**Also available as a configuration option through XHNG.
Includes: Bracket & PNP sensor (NO), M12xL=70mm, M12 connector. No cables.*

**Note*
Bridges can not be used with cleated chain.

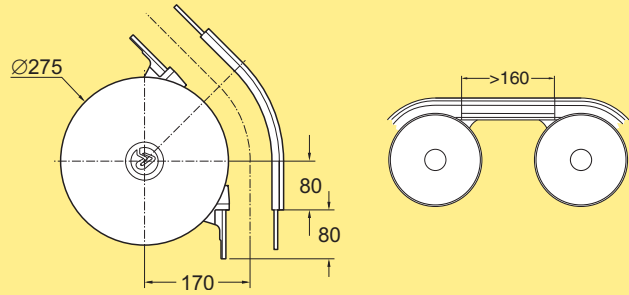
Wheel bends XH

Wheel bend, 30°



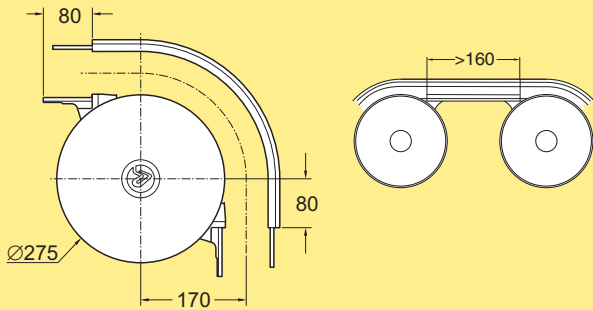
Wheel bend, 30° **XHBH 30R170 A**
Effective track length: 0,25 m 1-way (0,50 m 2-way)

Wheel bend, 45°



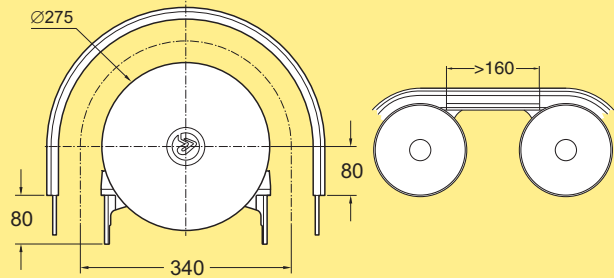
Wheel bend, 45° **XHBH 45R170 A**
Effective track length: 0,30 m 1-way (0,60 m 2-way)

Wheel bend, 90°



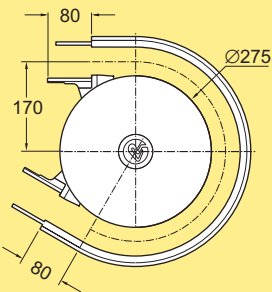
Wheel bend, 90° **XHBH 90R170 A**
Effective track length: 0,40 m 1-way (0,80 m 2-way)

Wheel bend, 180°



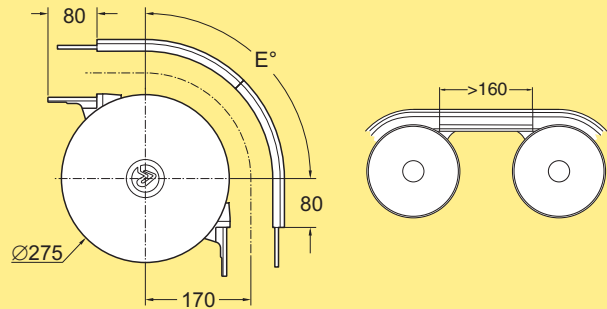
Wheel bend, 180° **XHBH 180R170 A**
Effective track length: 0,65 m 1-way (1,30 m 2-way)

Wheel bend, 210°



Wheel bend, 210° **XHBH 210R170 A**
Effective track length: 0,80 m 1-way (1,60 m 2-way)

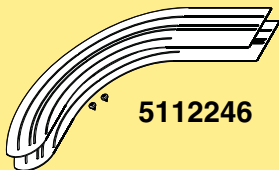
Wheel bend, 30°–180°



Wheel bend, 30°–180° **XHBH ER170 A**
The outer bend is cut in the middle to the desired angle and assembled using connecting strips. The angle "E" must be specified when ordering.

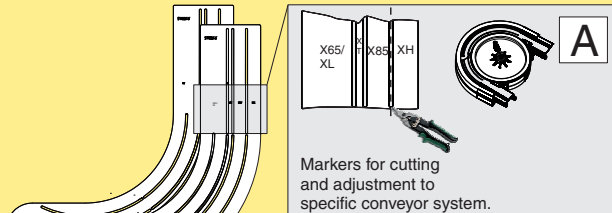
Wheel cover for Wheel bend

Wheel cover for X65/XL, XT, X85, XH



5112246

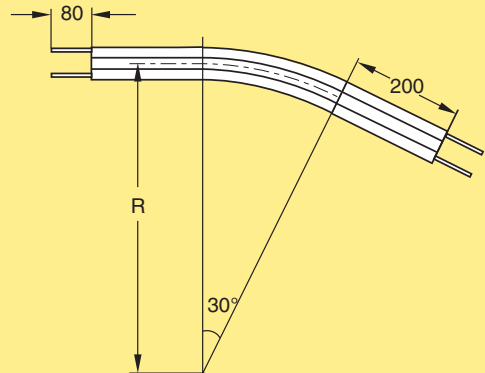
Wheel cover for X65/XL, XT, X85, XH **5112246**
 (Including one pair of Wheel cover 5112244 and 2 tap screw ISO 7049 4,2x6,5-C-H-A2K)



Example: To fit the wheel cover to a X85 system, cut the part marked XH (see figure A).
 To fit the wheel cover to a XT system, cut the parts marked X85 and XH.

Plain bends XH

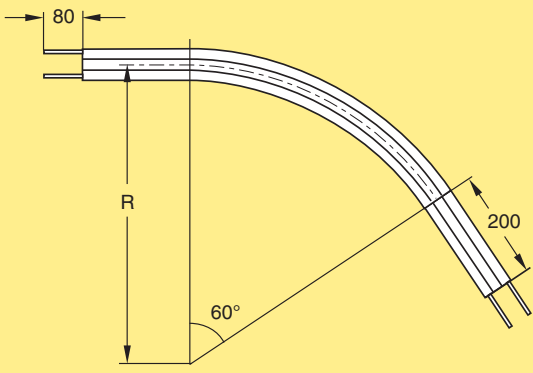
Plain bend, 30°



Plain bend, 30°±1°
 R=500±10 mm **XHBP 30R500**
 R=700±10 mm **XHBP 30R700**
 R=1000±10 mm **XHBP 30R1000**

Effective track lengths:
 R500: 0,70 m 1-way (1,35 m 2-way)
 R700: 0,80 m 1-way (1,55 m 2-way)
 R1000: 0,95 m 1-way (1,85 m 2-way)

Plain bend, 60°



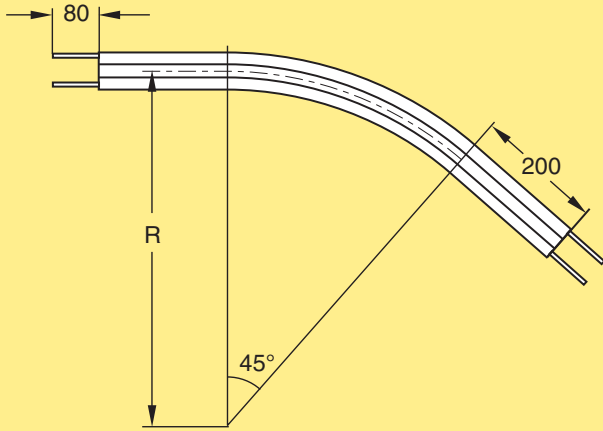
Plain bend, 60°±1°
 R=500±10 mm **XHBP 60R500**
 R=700±10 mm **XHBP 60R700**
 R=1000±10 mm **XHBP 60R1000**

Effective track lengths:
 R500: 0,95 m 1-way (1,85 m 2-way)
 R700: 1,15 m 1-way (2,30 m 2-way)
 R1000: 1,45 m 1-way (2,90 m 2-way)

PO
 CC
 X45
 XS
 X65
 X65P
 X85
 X85P
XH
 XK
 XKP
 X180
 X300
 GR
 CS
 XT
 HU
 WL
 WK
 XC
 XF
 XD
 ELV
 SC
 FST
 TR
 APX
 IDX

Plain bends XH (continued)

Plain bend, 45°



Plain bend, 45°±1°

R=500±10 mm

R=700±10 mm

R=1000±10 mm

XHBP 45R500
XHBP 45R700
XHBP 45R1000

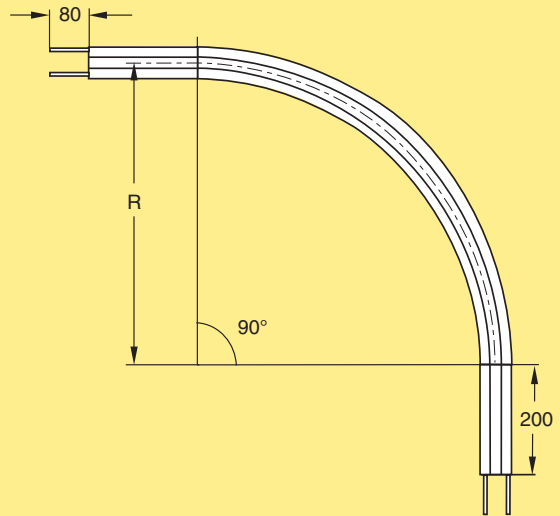
Effective track lengths:

R500: 0,80 m 1-way (1,60 m 2-way)

R700: 0,95 m 1-way (1,90 m 2-way)

R1000: 1,20 m 1-way (2,40 m 2-way)

Plain bend, 90°



Plain bend, 90°±1°

R=500±10 mm

R=700±10 mm

R=1000±10 mm

XHBP 90R500
XHBP 90R700
XHBP 90R1000

Effective track lengths:

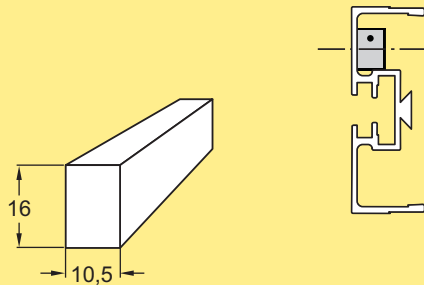
R500: 1,20 m 1-way (2,40 m 2-way)

R700: 1,50 m 1-way (3,00 m 2-way)

R1000: 2,00 m 1-way (3,95 m 2-way)

Support rail for plain bends XH

Support rail for plain bends



Support rail for plain bends, XH

Length 2,4 m

5048598

*Fix with sheet metal screw ISO 7049 4,2×9,5 or similar.
 See page 525 for installation instructions.*

Vertical bend, 5°

Vertical bend, 5° **XHBV 5R400**
 Effective track length: 0,20 m 1-way (0,40 m 2-way)

Vertical bend, 45°

Vertical bend, 45°
 R= 400, A=419, B=174 **XHBV 45R400**
 R=1000, A=844, B=349 **XHBV 45R1000**

Effective track length:
 R400: 0,50 m 1-way (0,95 m 2-way)
 R1000: 0,95 m 1-way (1,90 m 2-way)

Vertical bend, 7°

Vertical bend, 7° **XHBV 7R400**
 Effective track length: 0,20 m 1-way (0,45 m 2-way)

Vertical bend, 15°

Vertical bend, 15° **XHBV 15R400**
 Effective track length: 0,30 m 1-way (0,55 m 2-way)

Vertical bend, 30°

Vertical bend, 30° **XHBV 30R400**
 Effective track length: 0,40 m 1-way (0,75 m 2-way)

Vertical bend, 60°

Vertical bend, 60° **XHBV 60R400**
 Effective track length: 0,65 m 1-way (1,20 m 2-way)

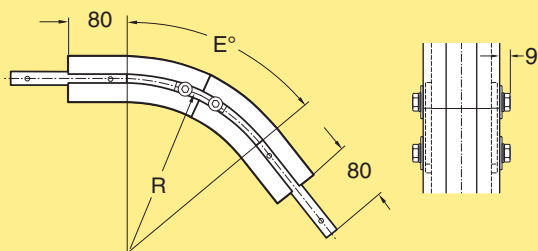
Vertical bend, 90°

Vertical bend, 90°
 R= 400, A= 480 **XHBV 90R400**
 R=1000, A=1080 **XHBV 90R1000**

Effective track length:
 R400: 0,85 m 1-way (1,60 m 2-way)
 R1000: 1,75 m 1-way (3,50 m 2-way)

Vertical bends XH (continued)

Vertical bend, 5°–90°



Vertical bend, 5°–90°

R=400

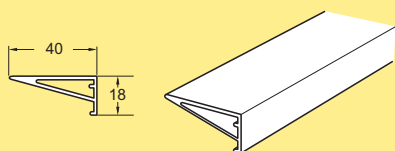
R=1000

XHBV ER400
XHBV ER1000

The bend is cut in the middle to the desired angle and assembled using connecting strips. The angle "E" must be specified when ordering.

Angle plates XH

Angle plate, straight



Angle plate
Length 3 m

XHRP 3

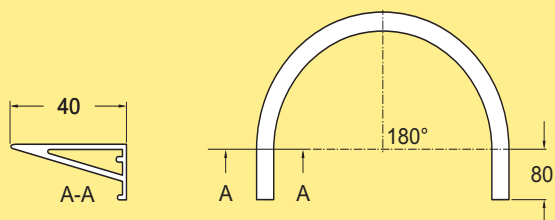
Angle plate for 90° bend



Angle plate for 90° bend
Used with XHBH 90R170
Inner radius 222,5 mm

XHRM 90

Angle plate for 180° bend



Angle plate for 180° bend
Used with XHBH 180R170 and
XHEW 180/5 H
Inner radius 222,5 mm

XHRM 180

Front piece

Front piece
Length 3 m

XHVF 3

Sliding strip for front piece

Sliding strip for front piece
Length 2 m

XHVG 2

Linkage kit for front piece

Linkage kit
W=190, D=43
W=290, D=93

XHVK 43
XHVK 93

Kit consists of two support pairs.

Bend support for front piece

Bend support
D=43 mm
D=93 mm

XHVS 43
XHVS 93

Front piece upper bend

Upper bend, 60°

XHVA 60R460

Includes connecting strip with screws

Front piece lower bend

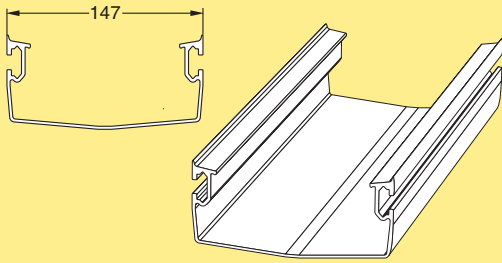
Lower bend, 60°

XHVB 60R335

Includes connecting strip with screws

Drip trays XH

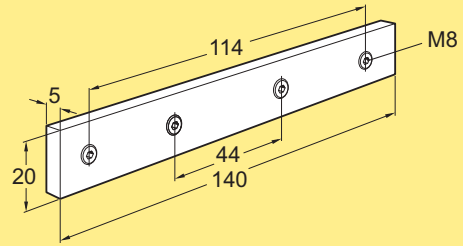
Drip tray



Drip tray
Length 3 m

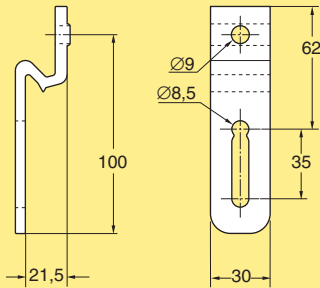
XHDT 3×147 B

Connecting strip



Connecting strip with set screws **XLCJ 5×140**
Note. Contains 10 pcs.

Drip tray bracket

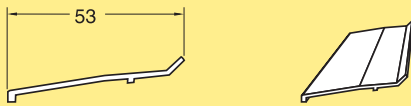


Drip tray bracket

XLDB 21×100

Drip catchers XH

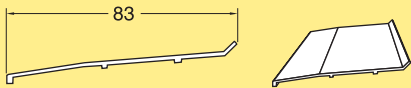
Drip catcher 53 mm



Drip catcher 53 mm
Length 3 m

XHDS 3×53

Drip catcher 83 mm



Drip catcher 83 mm
Length 3 m

XHDS 3×83