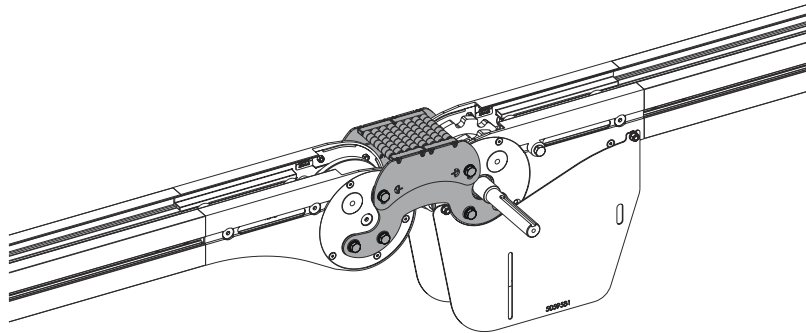




a coesia company



# Passive bridge X85P

5111108

FLX1012618  
2025-03-20



## Table of Contents

1. Preface .....	1
2. Bridge (passive) 5111108 .....	2



# 1. Preface

FlexLink accepts no responsibility if the machine/item is not used in accordance with this document. This instruction contains safety notices which you must observe to ensure your personal safety, the safety of others involved in the operations as well as to prevent damage to machine/item. For risk levels “DANGER” and “Warning” all residual risks need to be eliminated or reduced to a sufficient level by the system integrator.

The following safety symbols are used:

**DANGER**

Description of imminent hazard and failure if not avoided will result in serious injury or death.

**WARNING**

Description of imminent hazard and failure if not avoided could result in serious injury or death.

**CAUTION**

Description of minor personal injury, malfunction or damage on machine or environmental risks.

**NOTE**

This is not a safety precaution but will give valuable detailed information.

## 2. Bridge (passive) 5111108

X85P



13 mm



Max torque; 21 Nm

Conveyor system combination	Max chain thickness
Heavy - Heavy, 5111108	7 mm



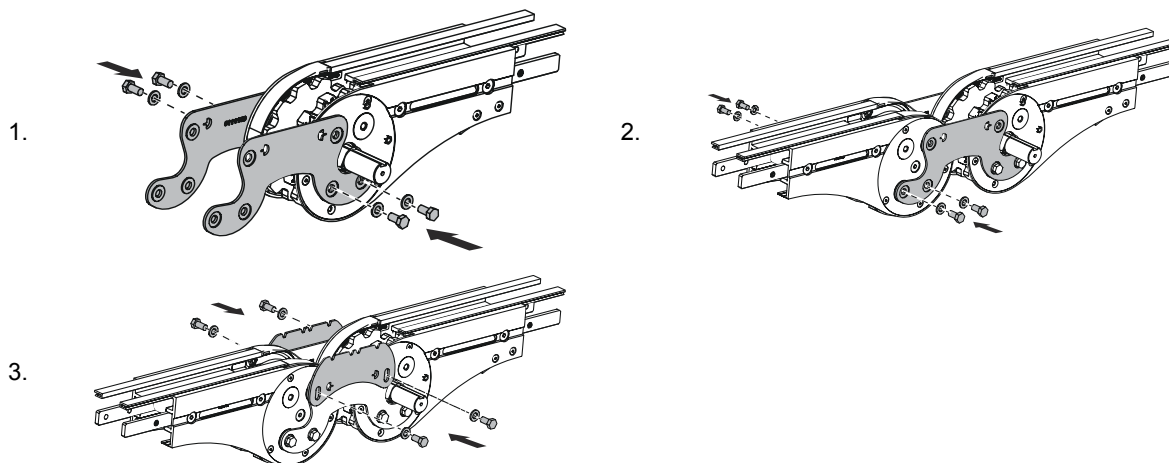
### CAUTION

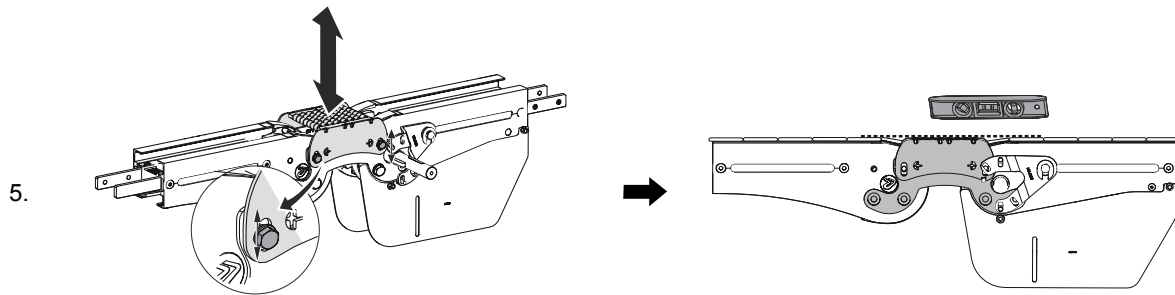
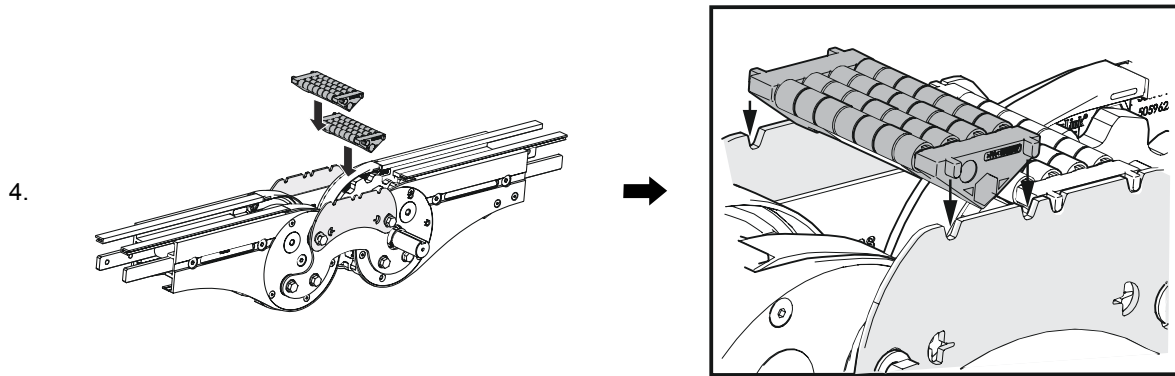
The bridge can only be used with plain chain.



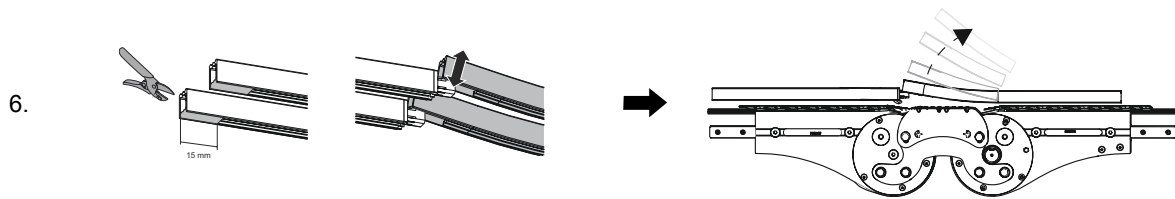
### NOTE

- The chain will most likely be installed on each conveyor when mounting the bridge, but is not illustrated. It can be mounted afterwards.





Adjust the bridge in height for the rollers to be flush to the chain.



[info@flexlink.com](mailto:info@flexlink.com)

[flexlink.com](http://flexlink.com)

